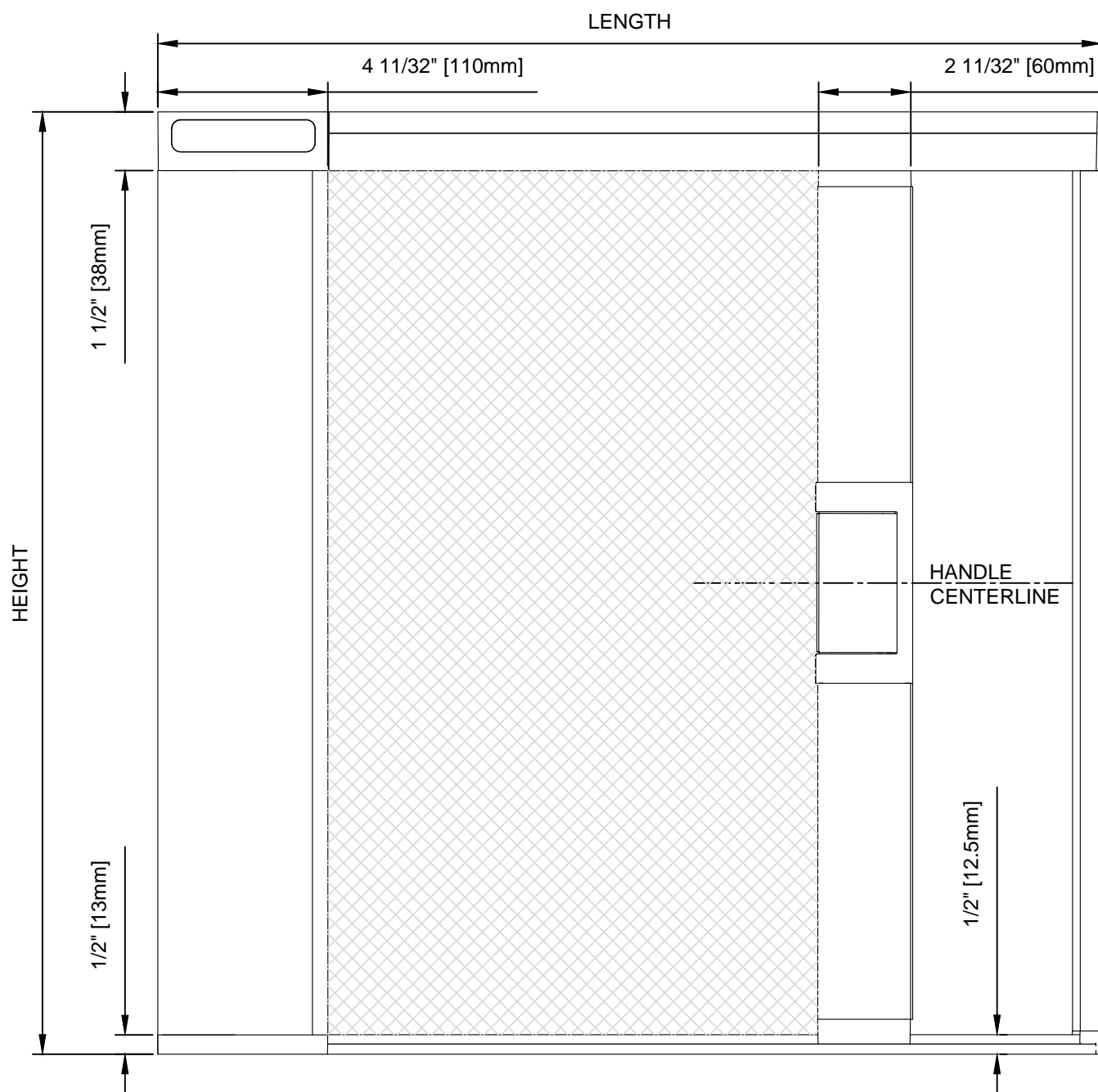


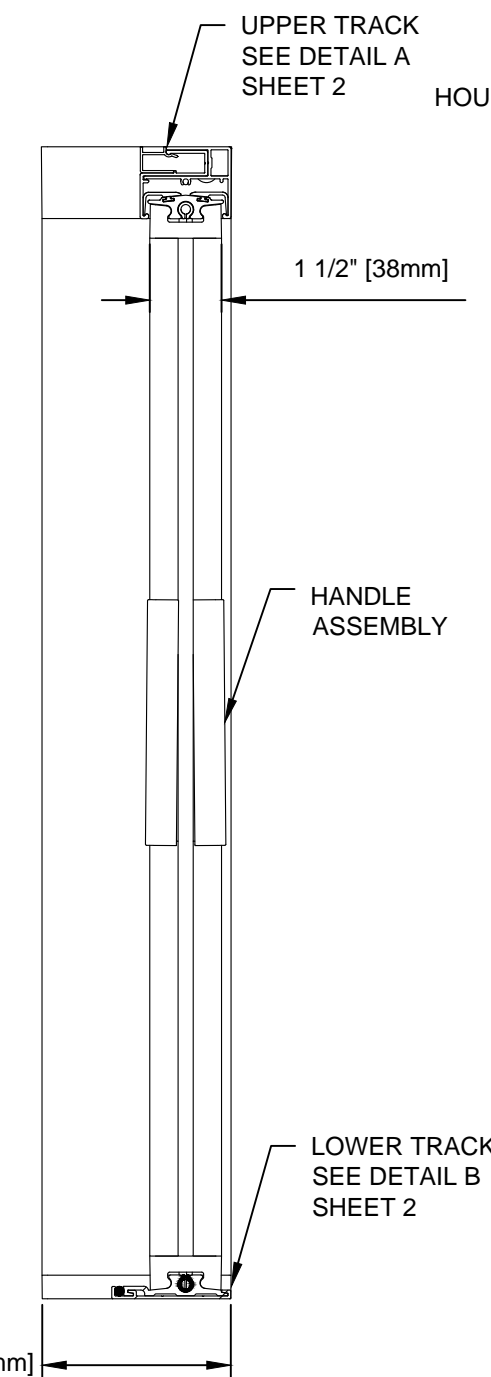
SECTION VIEW



FRONT ELEVATION

2 1/2" [63mm]

3 15/16" [100mm]



SECTION VIEW

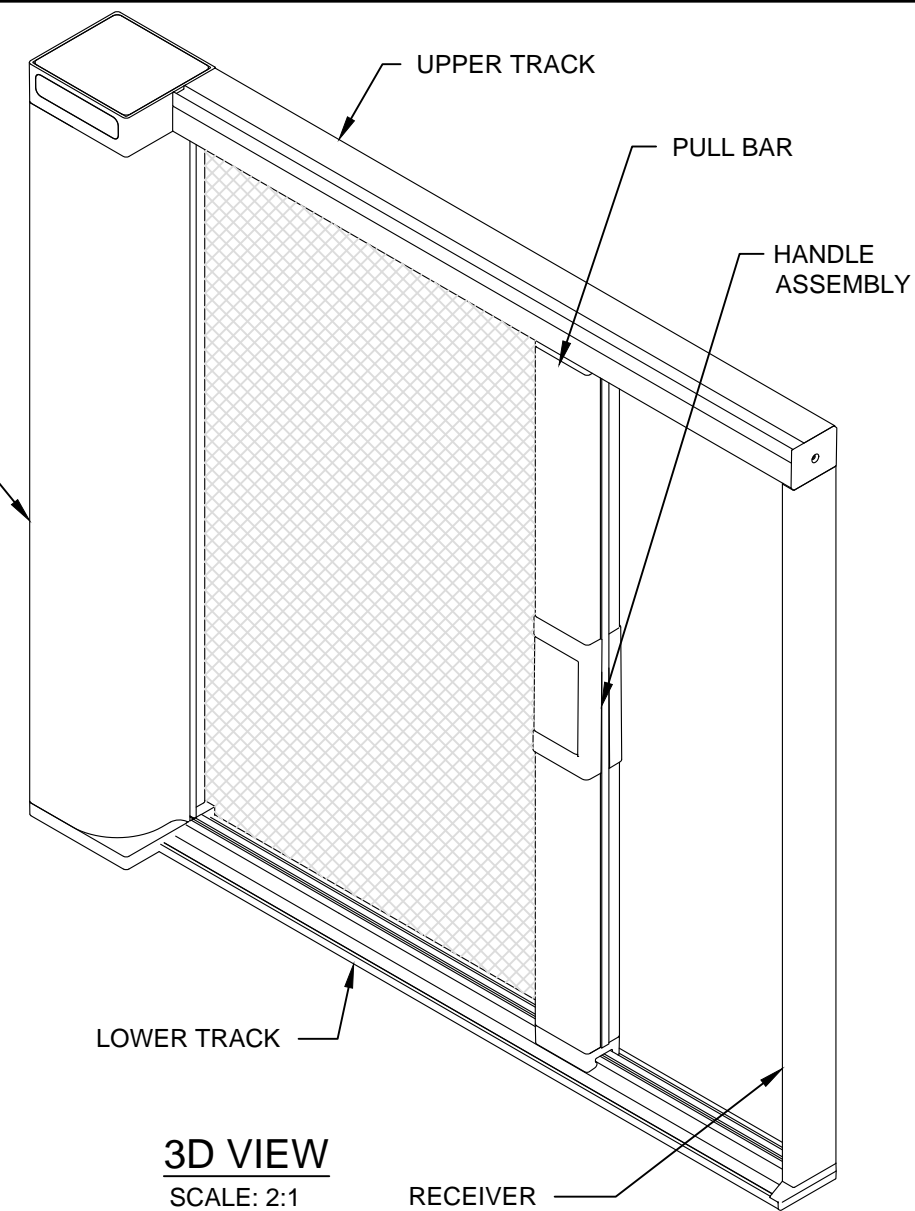
HOUSING

UPPER TRACK  
SEE DETAIL A  
SHEET 2

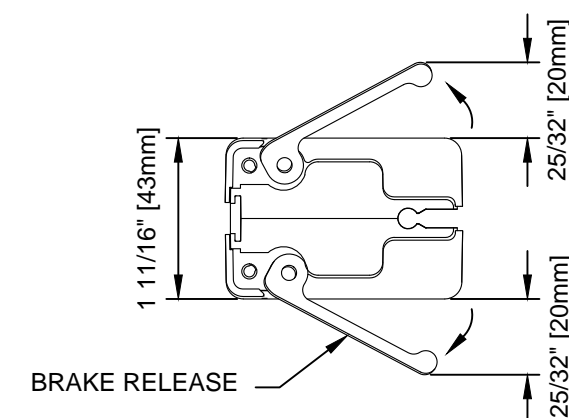
1 1/2" [38mm]

HANDLE  
ASSEMBLY

LOWER TRACK  
SEE DETAIL B  
SHEET 2



3D VIEW  
SCALE: 2:1



HANDLE ASSEMBLY - EXTENDED  
SCALE: 6"=1'0"



**WIZARD INDUSTRIES INC.**  
4263 PHILLIPS AVENUE  
BURNABY, BC  
V5A 2X4

**THE HORIZON**

SCALE:  
3:1  
DATE:  
OCT. 11 2017  
DWG:  
HOR-001