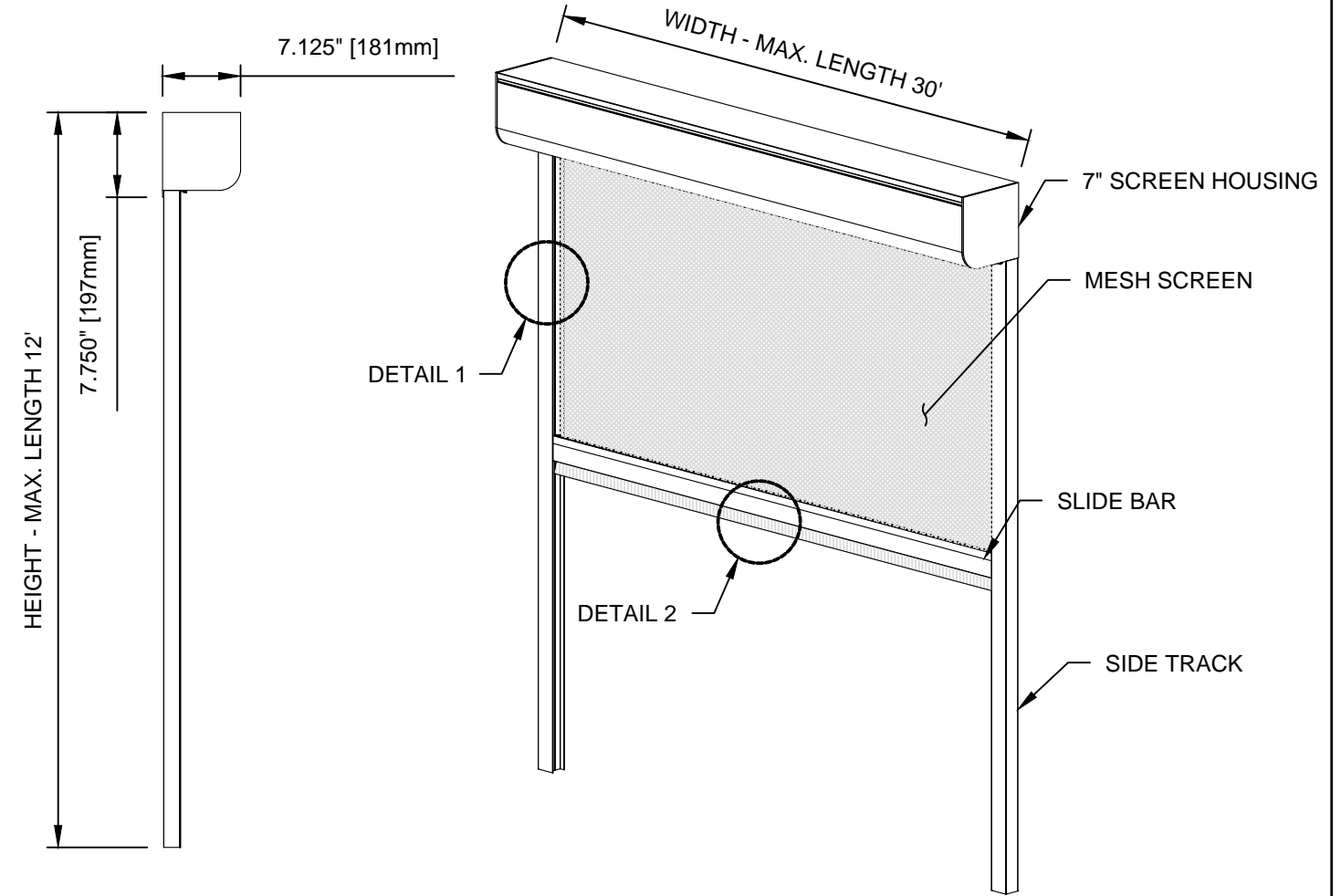
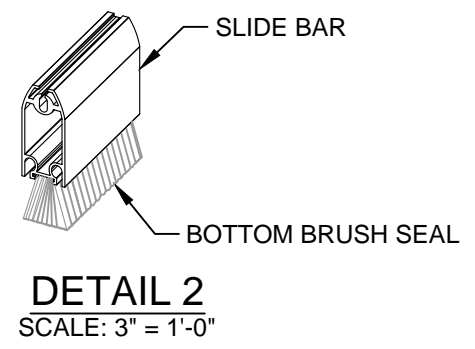
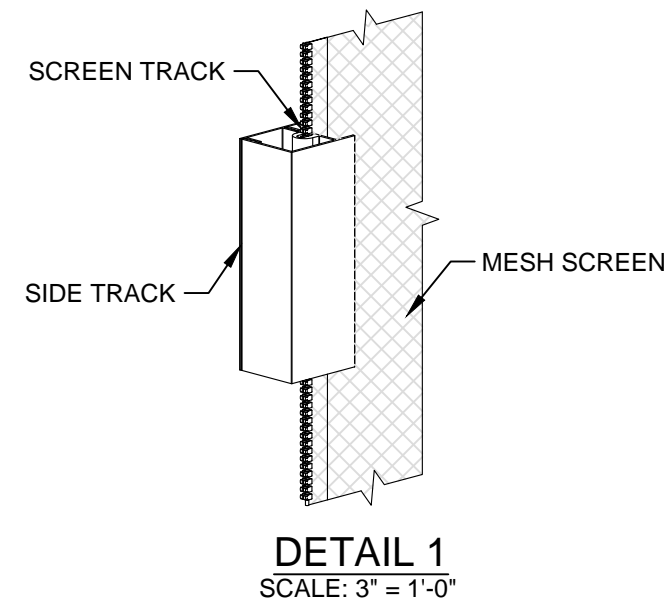


**5 1/2" STANDARD SCREEN ASSEMBLY**  
SCALE: 3/4" = 1'-0"



**7" ALTERNATIVE HOUSING SCREEN ASSEMBLY**  
SCALE: 3/4" = 1'-0"



**WIZARD INDUSTRIES INC.**  
4263 PHILLIPS AVENUE  
BURNABY, BC  
V5A 2X4

**MOTORIZED RETRACTABLE  
WALL SCREEN DETAILS**

SCALE: AS SHOWN
DATE: JUN. 29 2018
DWG: MS-001