

A View Towards Excellence

VistaView 60mm 70mm 80mm

Measuring Guide



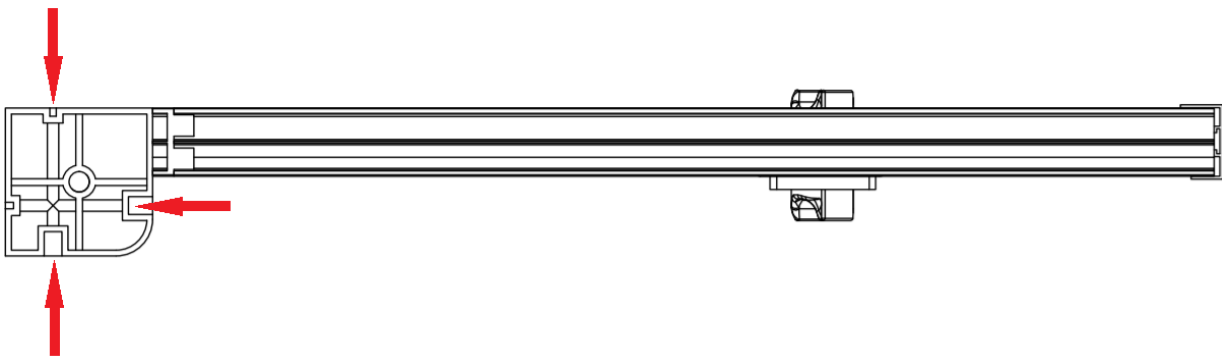
VistaView 60mm 70mm 80mm

These instructions cover all the screens in the VistaView product line.

Please read before going to site to measure

- 1) Bookmark the installation instructions, or print a copy to take with you on the install – www.wizardscreens.com/technical*
- 2) Call to schedule a training session on installations before going to site*
- 3) When installing, if you have questions, call us before leaving the site*
- 4) The housings and components can be concealed with removable panels after you have completed the installation.*
- 5) The VistaView 60mm 70mm and 80mm housings can all be fastened from the front, back or inside profile*

VistaView 60mm 70mm 80mm housings can be fastened from the front, back or inside locations



Measuring Guide

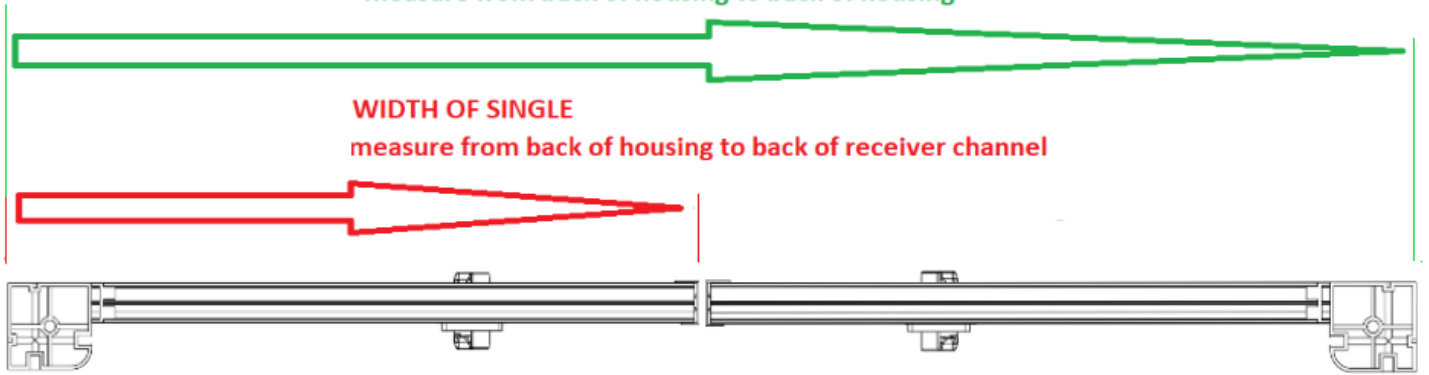
"Position(s) and Width"

WIDTH OF DOUBLE

measure from back of housing to back of housing

WIDTH OF SINGLE

measure from back of housing to back of receiver channel



Order as **LEFT**

Order as **RIGHT**

Always order sides as looking at the front of the screens.

Measuring the Height – Lower Track Not Recessed

Measuring the Height

Order height is the height of the “top of the top track” to the “bottom of the bottom track” – which is the same height as the housing

Measurements are between the top of the finished floor, to tight under the header

Measure the opening in at least 3 points across the opening to find your tightest measure

Upper Track - Surface / Face Mount

Upper Track – Under Header

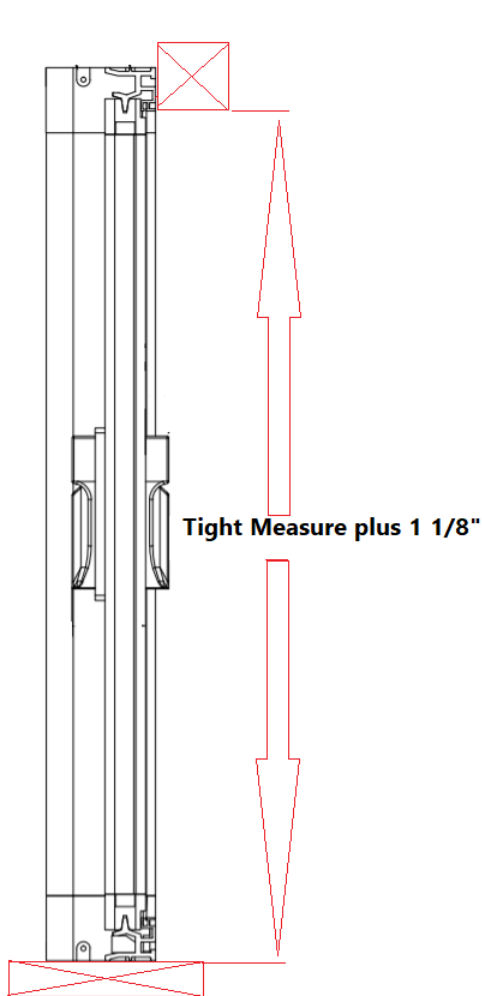


Image A

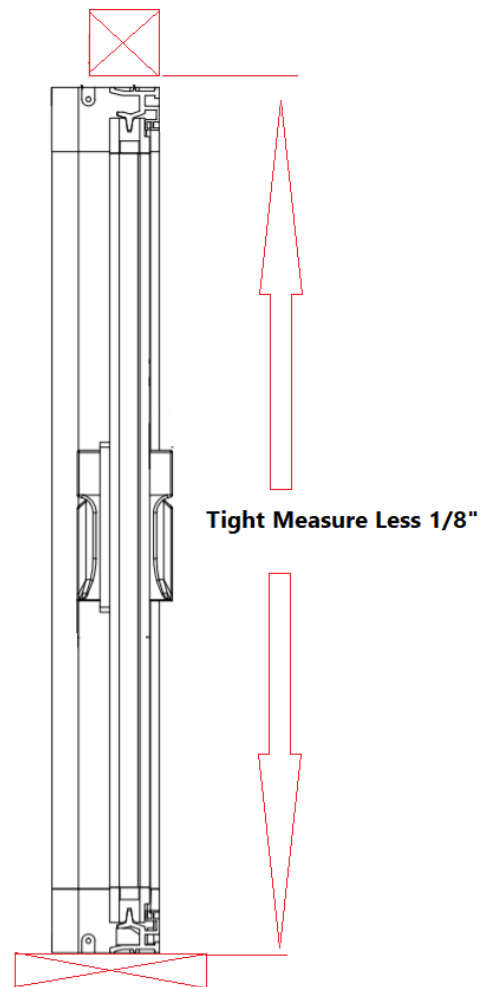


Image B

Measuring Height – Lower Track Recessed

Measuring the Height

Ordering height is the height of the “top of the top track” to the “bottom of the bottom track” – which is the same height as the housing

Measurements are between the top of the finished floor, to tight under the header

Upper Track - Surface / Face Mount

Upper Track - Under Header*

**Note: upper track requires 3/4" clearance to tip into place*

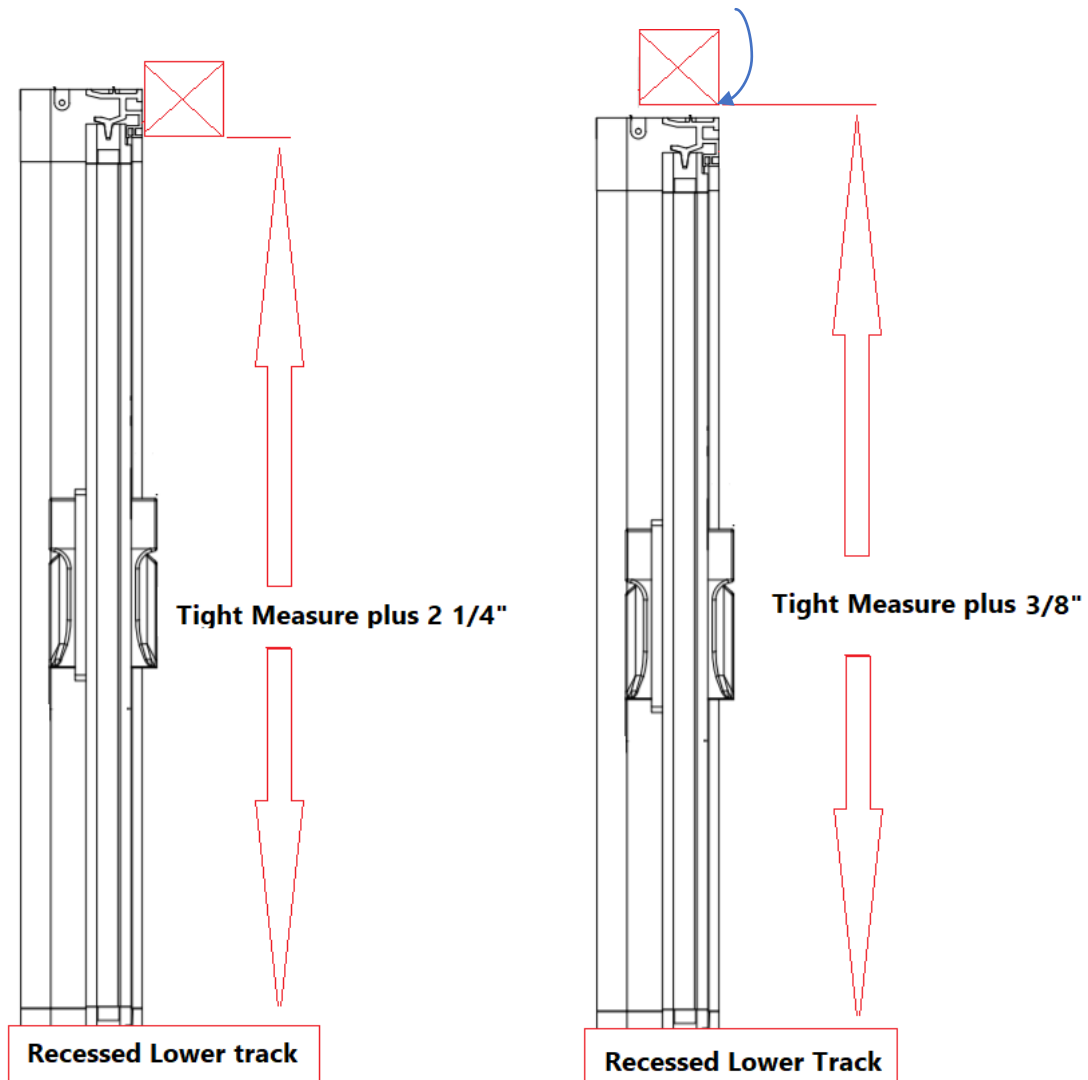
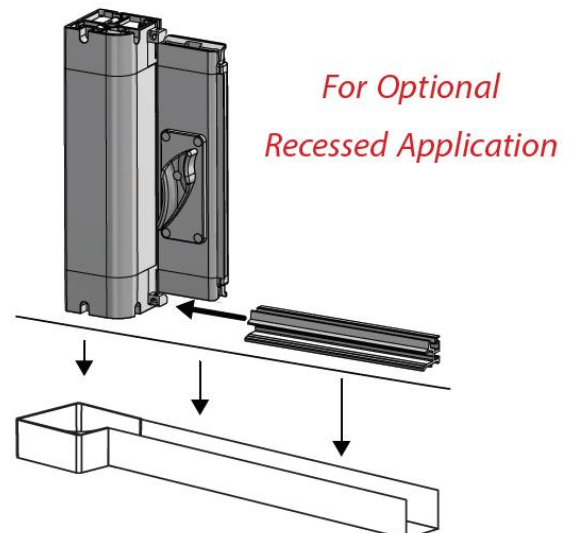
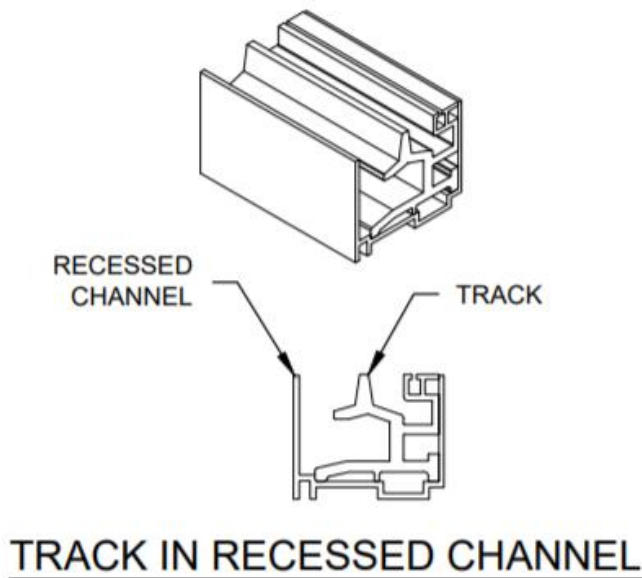
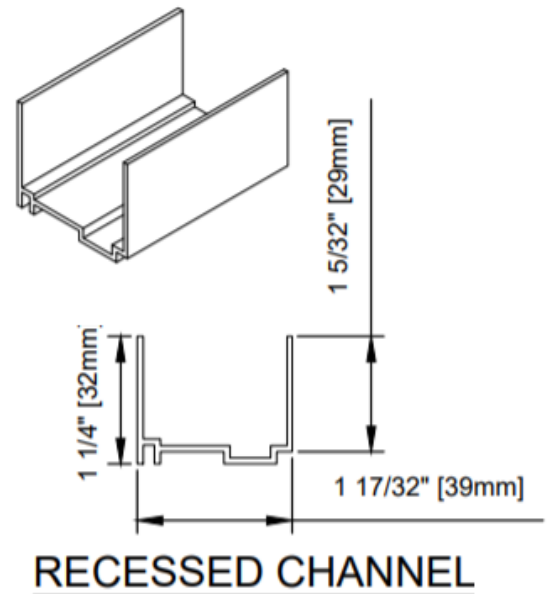
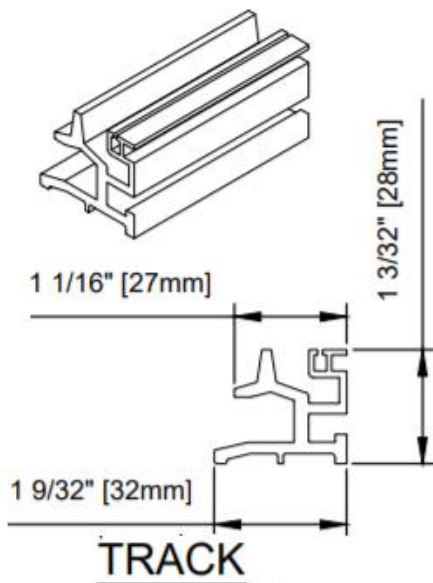


Image C

Image D

Recessing the lower track

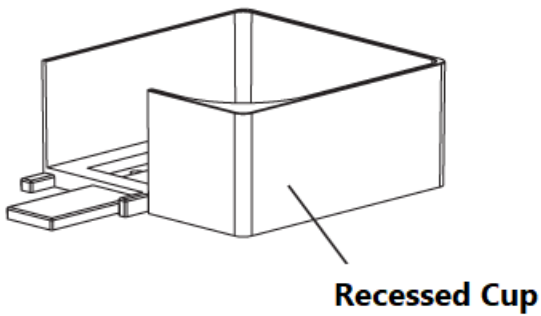
IMPORTANT NOTE: For exterior applications that are installed in unprotected areas please note that Recess Channel and tracks are not weather proof. Water Egress is the responsibility of the general contractor or builder



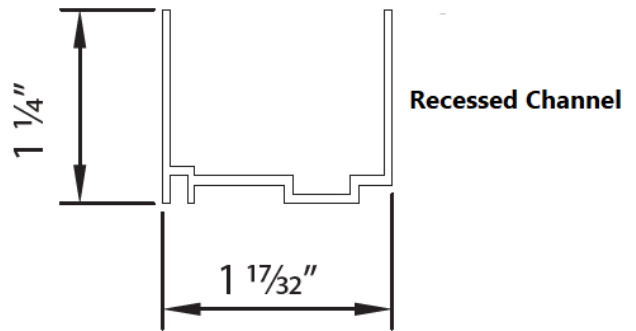
Recessing the lower track

Optional Recessed Parts

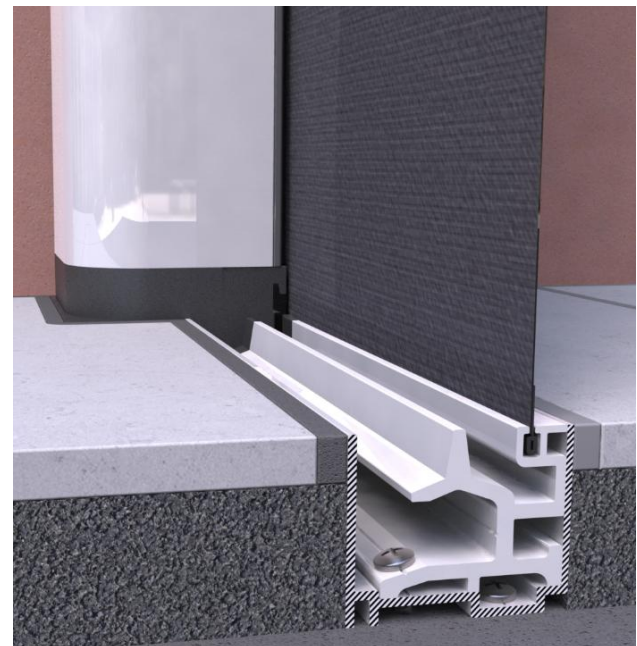
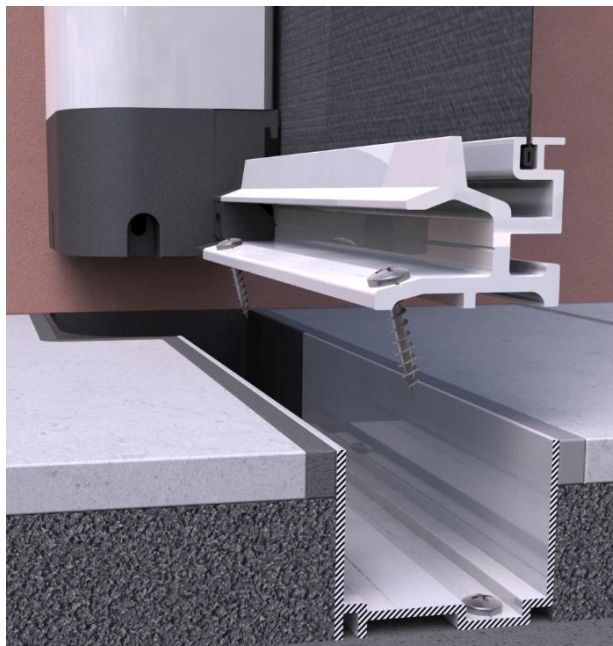
Recessed cups



Recessed Channel



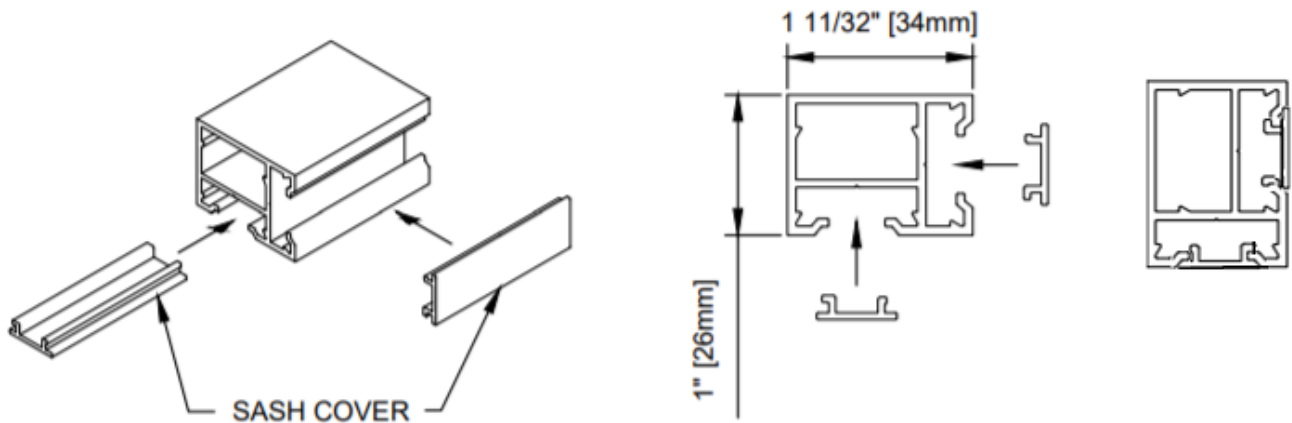
- 60mm – $2 \frac{1}{2}''$ wide x $1 \frac{1}{4}''$ tall
- 70mm - $2 \frac{7}{8}''$ wide x $1 \frac{1}{4}''$ tall
- 80mm - $3 \frac{1}{4}''$ wide x $1 \frac{1}{4}''$ tall



Finishing Touch - Optional Installation Accessories

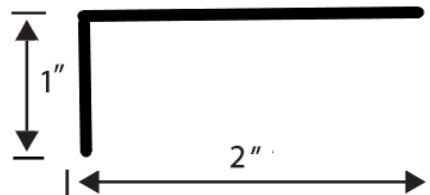
Box Channel

Box Channel can be used on installations where you need easy of flexibility on your install - available in uncut lengths up to 17. Fasten it into place and hide the screws



L Flap

Available in all RetractaView standard paint colours, **in uncut lengths up to 100''**



Track Cover (covers the screw heads)

Filler Strips for the VistaView tracks, available in Black, White, and Gray

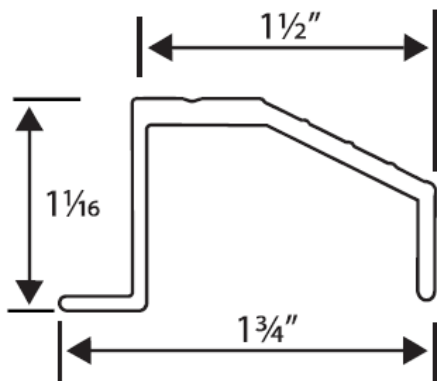


Optional Installation Accessories

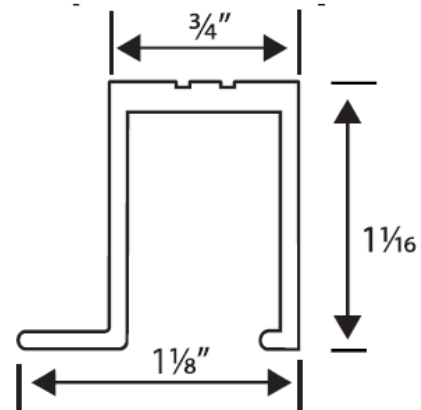
Sill Adapters

Sill adapters can be used to simplify an install, or provide a finishing touch - available in all RetractaView standard colours, in uncut lengths up to 80"

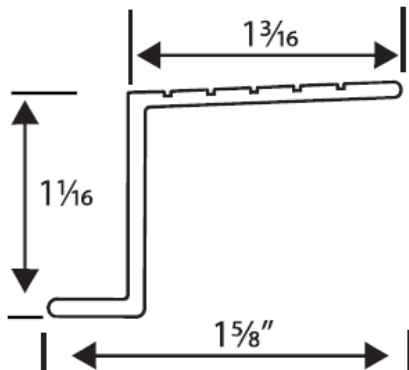
Over Sill Adapter (VS-40116)



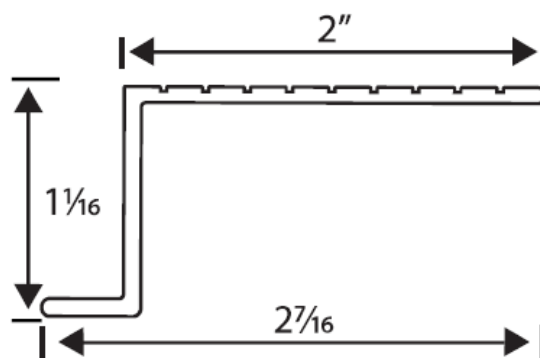
Square Sill Adapter (VS-40118)



Exterior Sill Adapter (VS-40115)



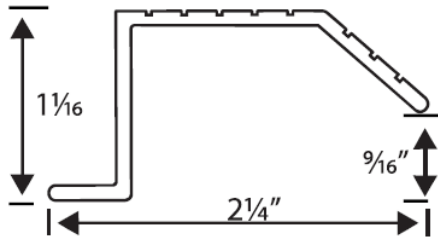
Interior Sill Adapter (VS-40114)



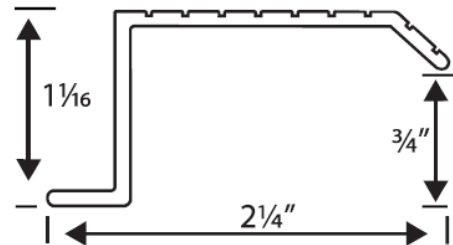
Optional Installation Accessories

Sill Adapters

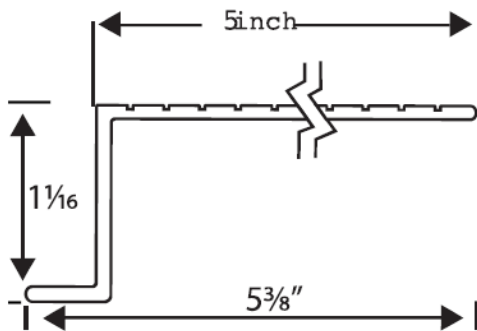
Threshold-Low Sill Adapter (VS-40117)



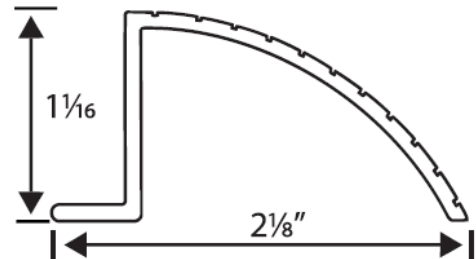
Texas Sill Adapter (VS-43303)



5-inch Sill Extender (VS-43304)



Ramp Sill Adapter (VS-43305)



Considerations

General

When measuring for height of the screen system, always be sure to measure at 3 points in opening and use the smallest measurement. If there is deflection in excess of $\frac{1}{4}$ " then plan to shim top track upon installation

- Each screen system is custom made to each specific application
- Determine what the application is and where the system will be installed
- Inside mount be sure to check the door hardware to ensure that there is enough clearance for screen to operate
- ENSURE SCREEN IS INSTALLED TO BE REMOVABLE FOR FUTURE SERVICING

Inside Mount (Under Header)

When measuring for height, be sure to measure at 3 points in opening and choose the smallest measurement then deduct Min $\frac{1}{8}$ " – **SEE IMAGE B**

Recessed Lower Track Applications – Upper track on the face or surface

When measuring and ordering a recess application the total height submitted on the order forms DO NOT include the recess cup and Recess channel, take the tight measure and add $2 \frac{1}{4}$ " – **SEE IMAGE C**

Recessed Lower Track Inside Mount (Under Header)

Inside mount Recessed VistaView Screens require a deduction off total height of screen system to allow for the screen system to be tilted into the recess cup and recess channel. Take the tight measure and add $\frac{3}{8}$ " – **SEE IMAGE D**



Considerations

Concealed applications

The housing can be concealed but be sure that screen housing can be removed easily in the event that screen requires servicing. Concealing the upper track should be done with a removable piece of trim work, do not embed the upper track into header.

Exterior Applications

Standard Application (track mounted on top of threshold) Screens that are installed on exterior with the track on top of the threshold it is recommended that weep holes be applied to the tracks. Please see installation instructions for further details. Screen installed on the exterior in an exposed area of the home requires for all lower track pilot holes to be filled with silicone sealant before screws are fastened

Recessed Lower Track Applications

The screen system does not trap water in housing, tracks or recess channel so any applications where door is exposed to weather the contractor or builder needs to provide considerations for water egress. **IMPORTANT NOTE: For exterior applications that are installed in unprotected areas please note that Recess Channel and tracks are not weather proof. Water Egress is the responsibility of the general contractor or builder.**