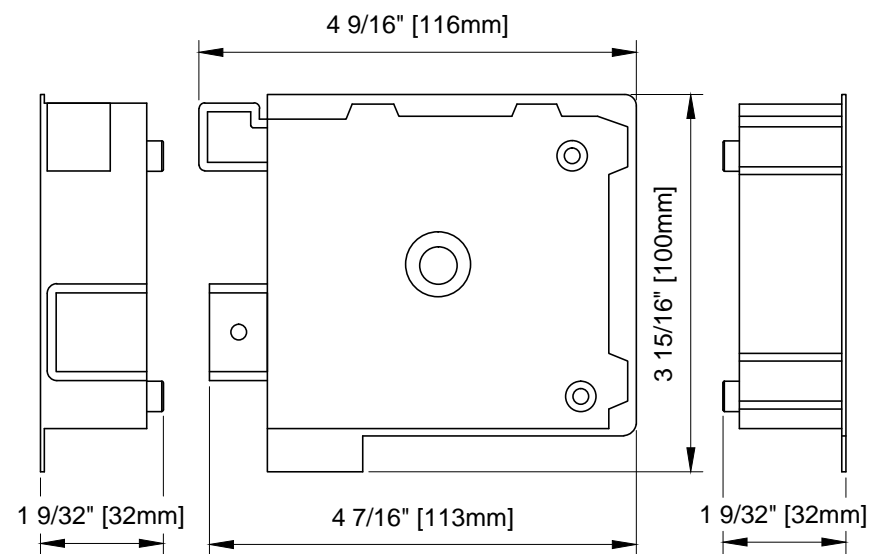


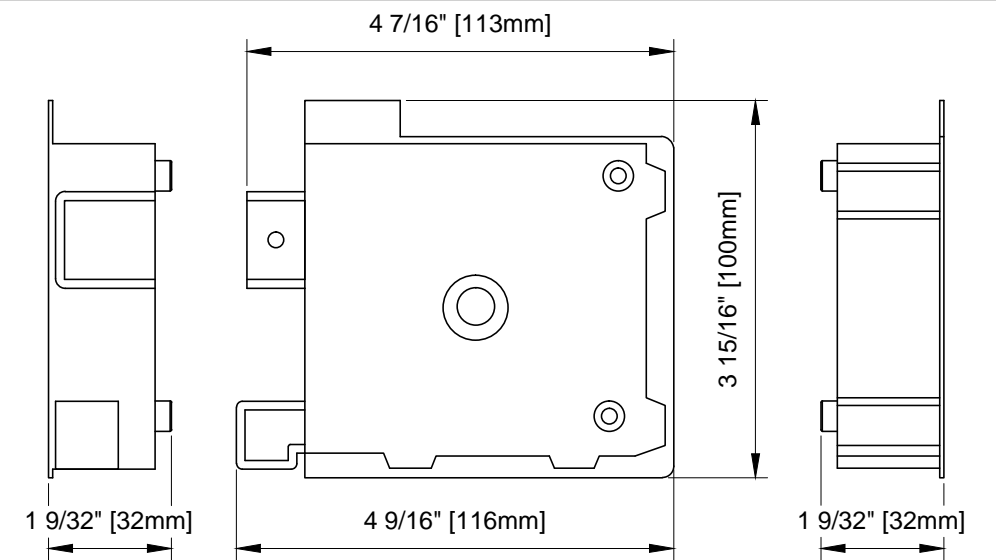
CONCEALED TOP PLATE

SCALE: 6"=1'0"



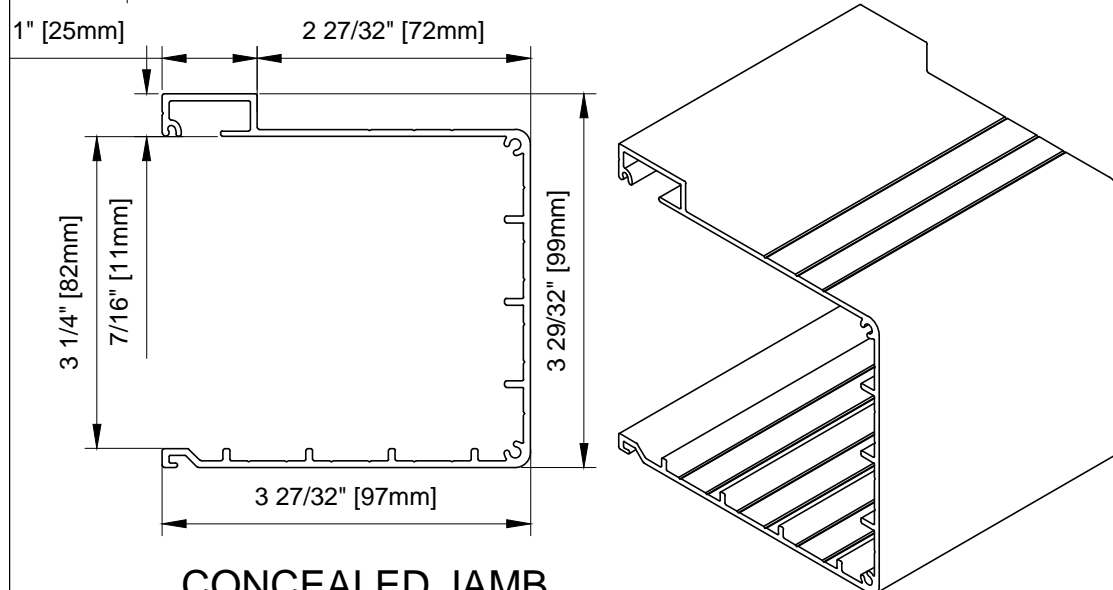
CONCEALED BASE PLATE (LEFT)

SCALE: 6"=1'0"



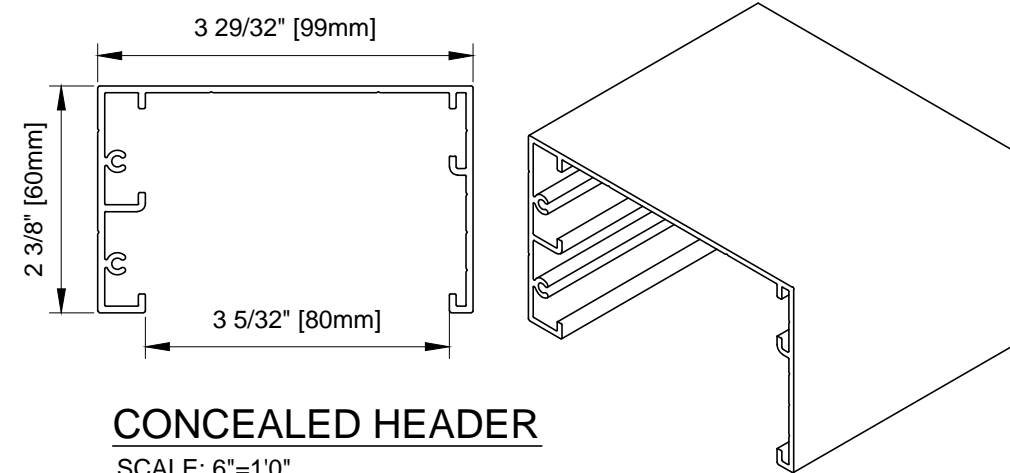
CONCEALED BASE PLATE (RIGHT)

SCALE: 6"=1'0"



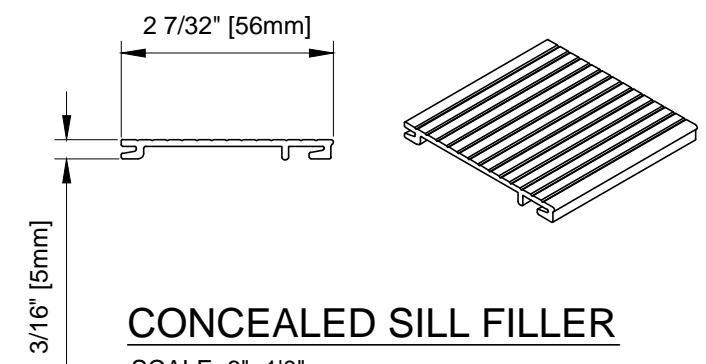
CONCEALED JAMB

SCALE: 6"=1'0"



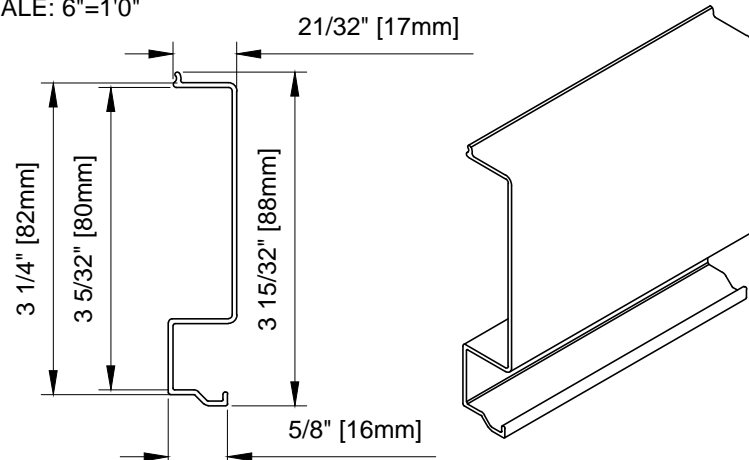
CONCEALED HEADER

SCALE: 6"=1'0"



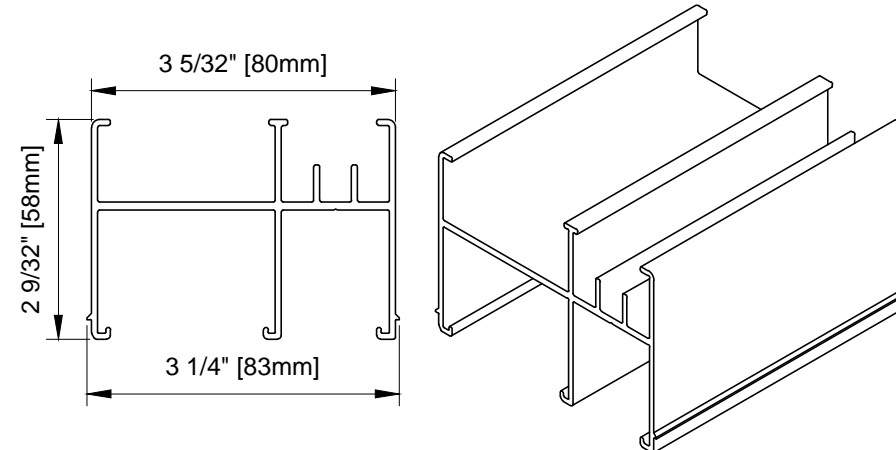
CONCEALED SILL FILLER

SCALE: 6"=1'0"



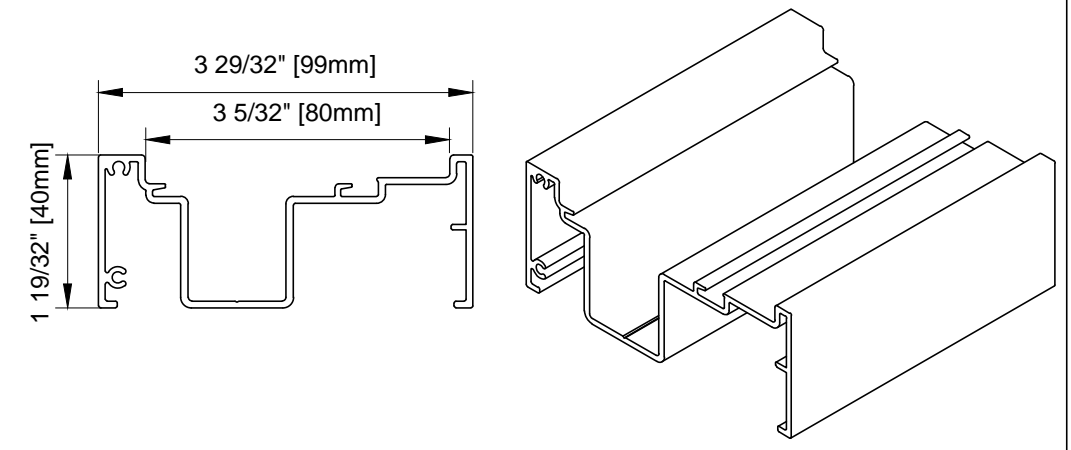
CONCEALED JAMB FILLER

SCALE: 6"=1'0"



CONCEALED HEADER INSERT

SCALE: 6"=1'0"



CONCEALED SILL RAISED

SCALE: 6"=1'0"

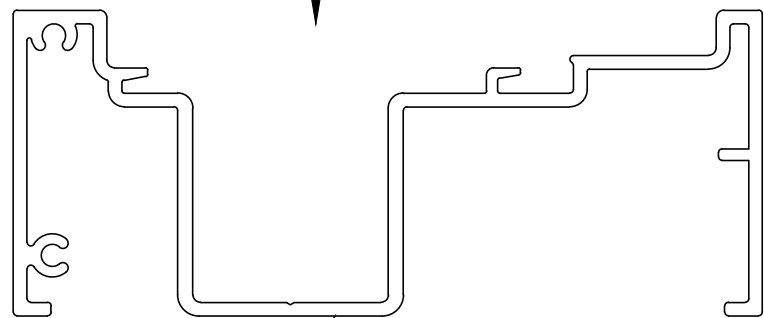
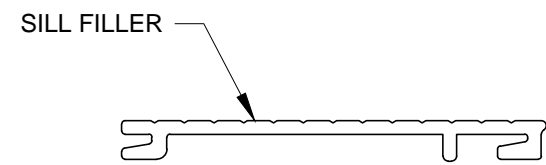
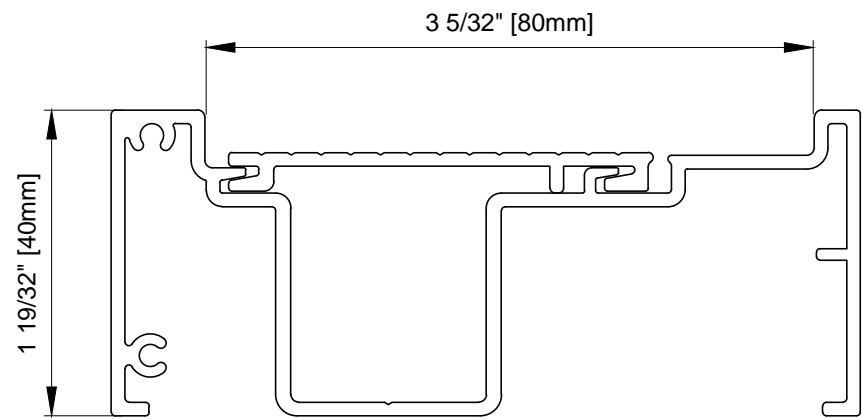


WIZARD INDUSTRIES INC.
 4263 PHILLIPS AVENUE
 BURNABY, BC
 V5A 2X4

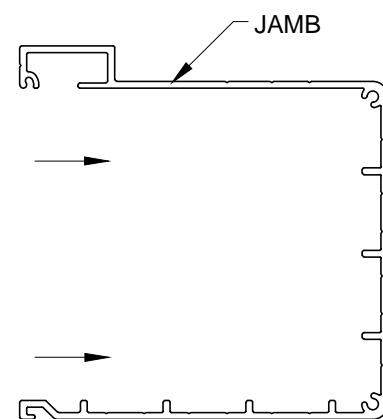
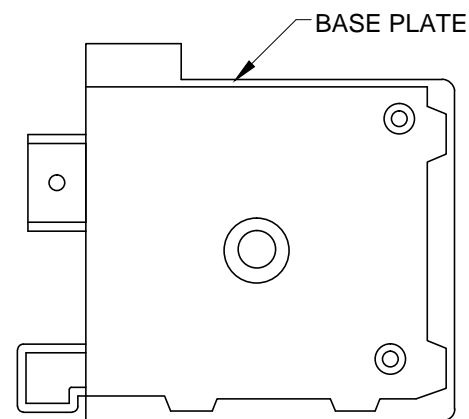
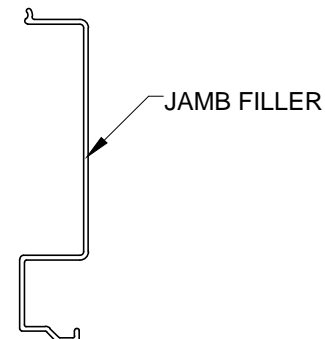
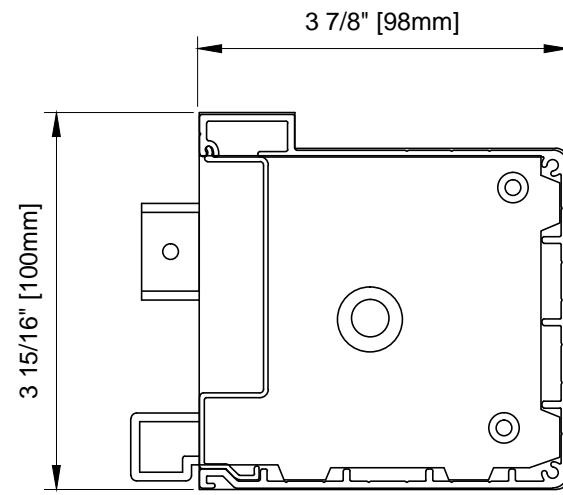
80mm INTEGRATED UNIT

PART DETAILS - SHT 1 OF 2

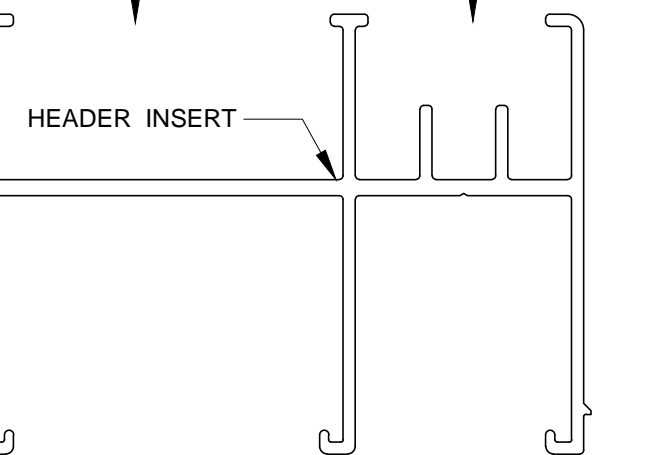
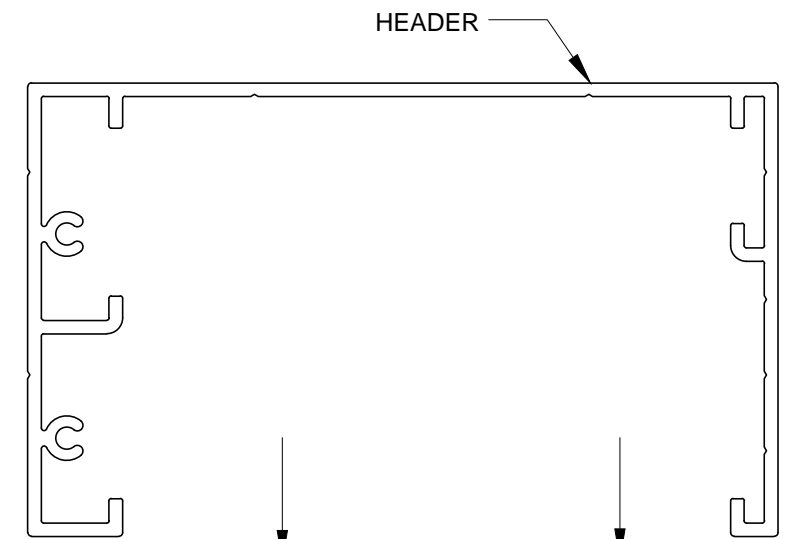
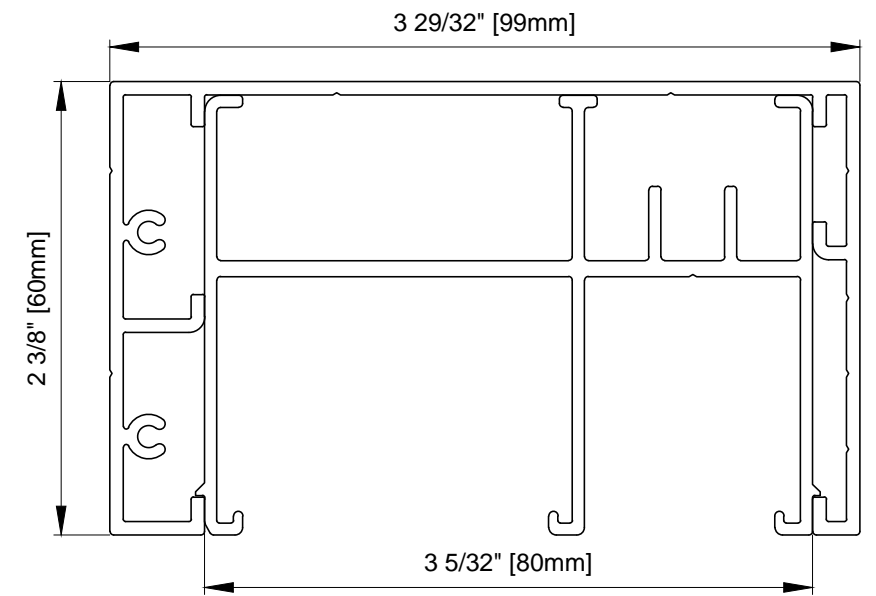
SCALE:
AS SHOWN
 DATE:
JUNE 21 2019
 DWG:
CU-001



DETAIL A - SILL
SCALE: 1'0" = 1'0"



DETAIL B - JAMB
SCALE: 6"=1'0"



DETAIL C - HEADER
SCALE: 1'0" = 1'0"