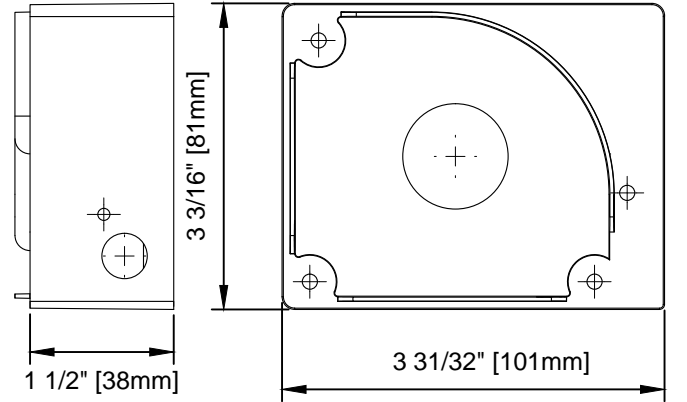


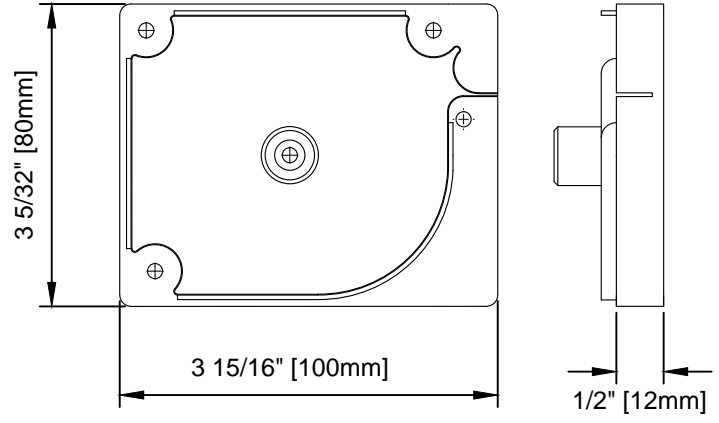
**SQUARE HOUSING**

SCALE: 6"=1'0"



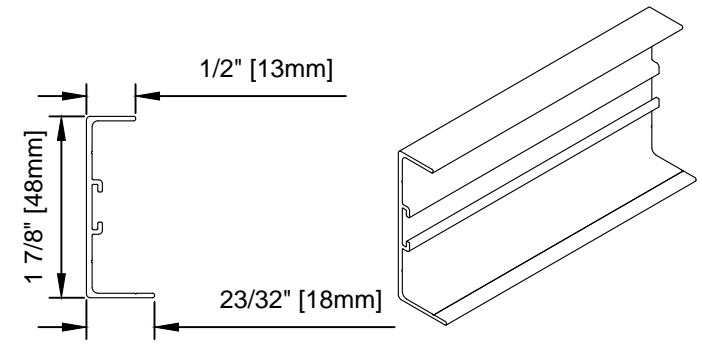
**UPPER END CAP**

SCALE: 6"=1'0"



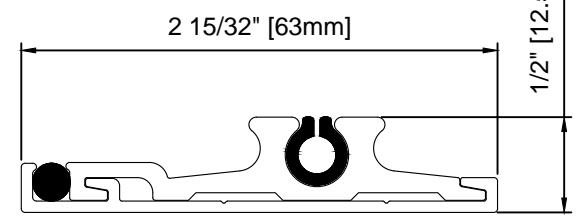
**LOWER END CAP**

SCALE: 6"=1'0"

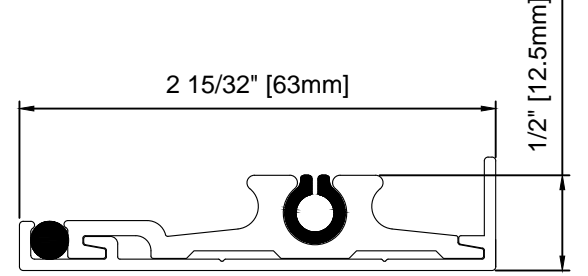


**RECEIVER**

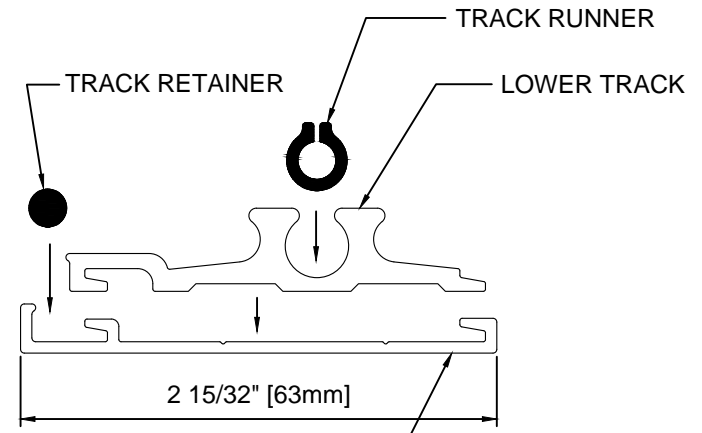
SCALE: 6"=1'0"



**TRACK RUNNER**

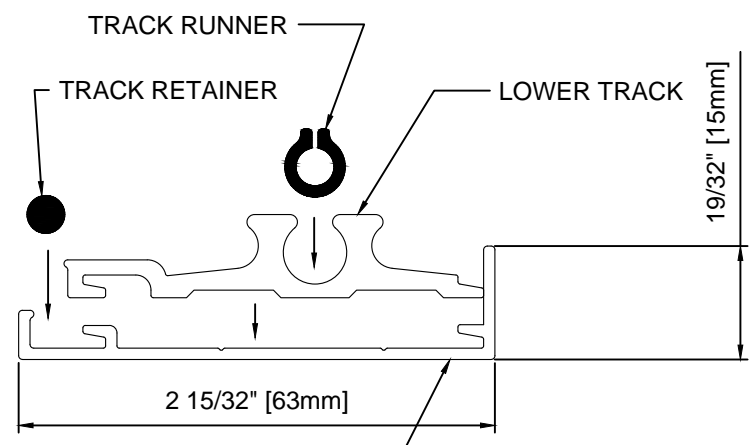


**TRACK RUNNER**



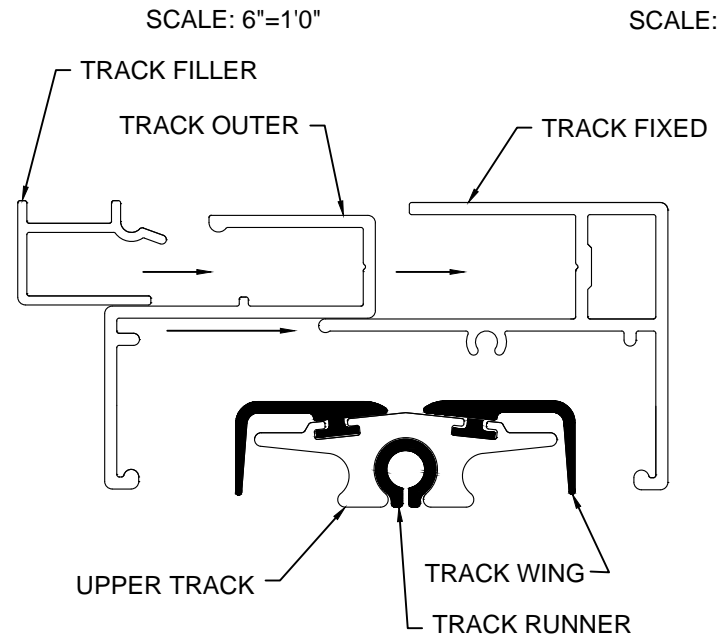
**DETAIL B - LOWER TRACK**

SCALE: 1'0" = 1'0"



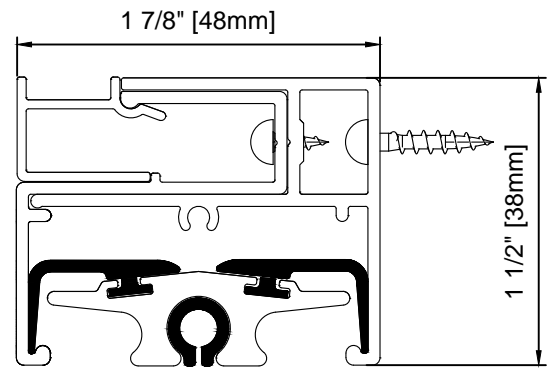
**FACE FIT TRACK MOUNT- OPTIONAL**

SCALE: 1'0" = 1'0"



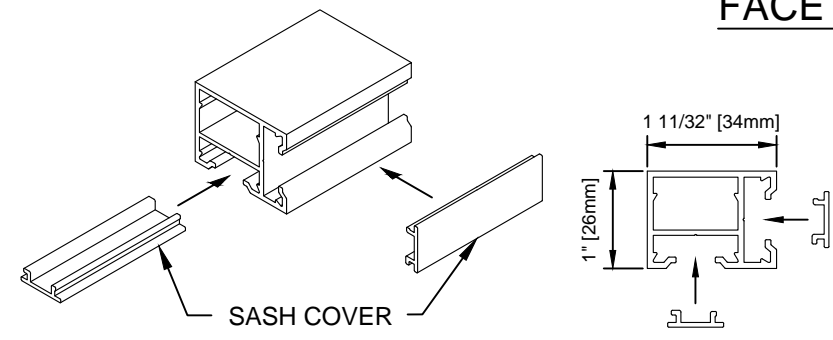
**DETAIL A - UPPER TRACK**

SCALE: 1'0" = 1'0"



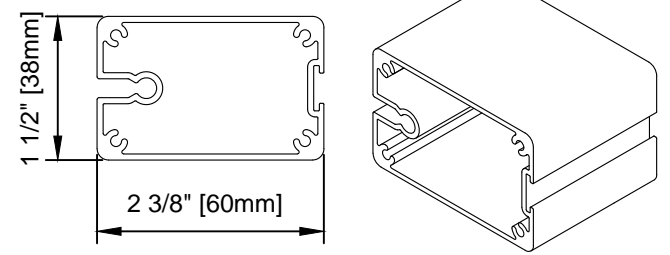
**SASH COVER**

SCALE: 1'0" = 1'0"



**BOX CHANNEL - OPTIONAL**

SCALE: 6"=1'0"



**PULL BAR**

SCALE: 6"=1'0"



**WIZARD INDUSTRIES INC.**  
4263 PHILLIPS AVENUE  
BURNABY, BC  
V5A 2X4

**THE HORIZON**  
80mm ASSEMBLY DETAILS

SCALE: AS SHOWN  
DATE: MAY 1 2019  
DWG: HOR - 020