

Wizard Screens

100mm Integrated Horizon Frames and Screens

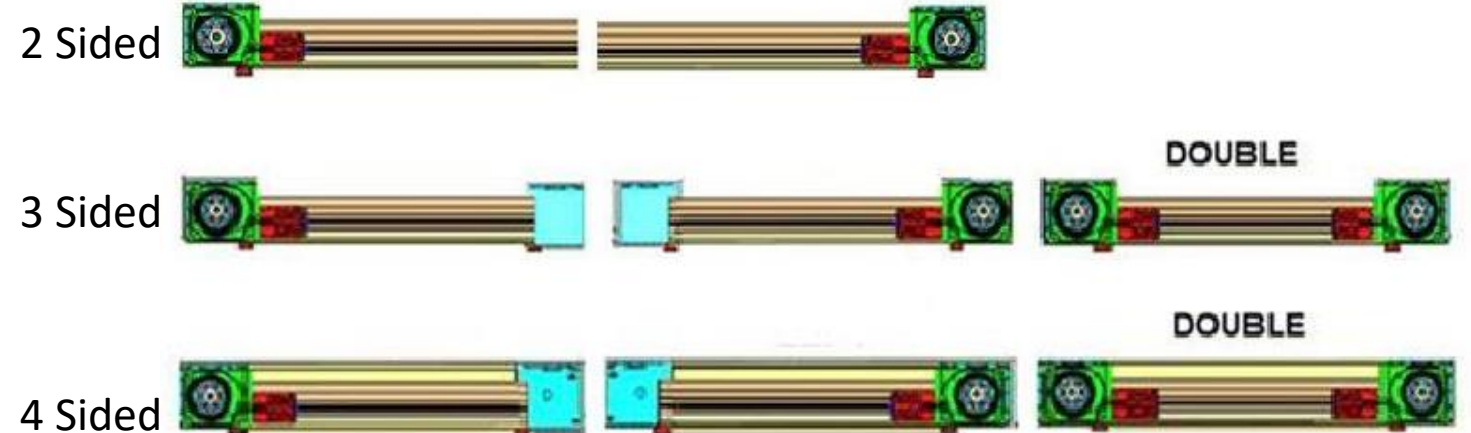
All screens go into the frames as illustrated, please make a note of your configuration (similar images are on the portal when placing your order)

Note your configuration then proceed to following pages for “How to Measure”

A) The frame – Page 3

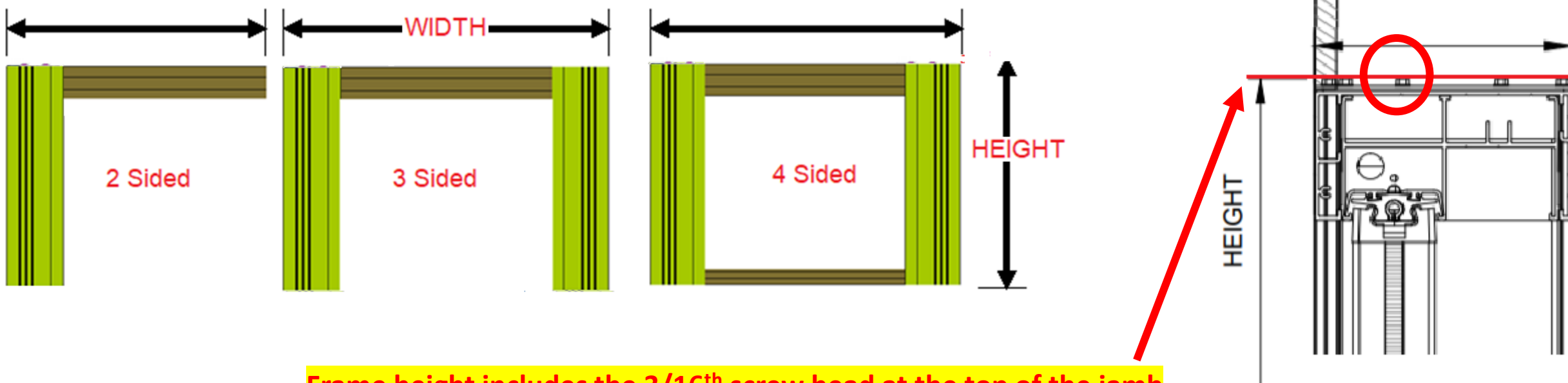
B) The frame and screen – Page 3

C) Screen to fit existing frame – Pages 5 and 6



Screen is built from Frame dimensions when ordered together

- 1) WIDTH and HEIGHT - Measure Rough Opening for Frame in at least 3 points each to find the smallest sizes, round down by 1/16"ths
- 2) Get the outside dimensions for the frame you want, **we recommend you leave 1/4" clearance on each side to the Rough Opening to shim plumb, level and square.**



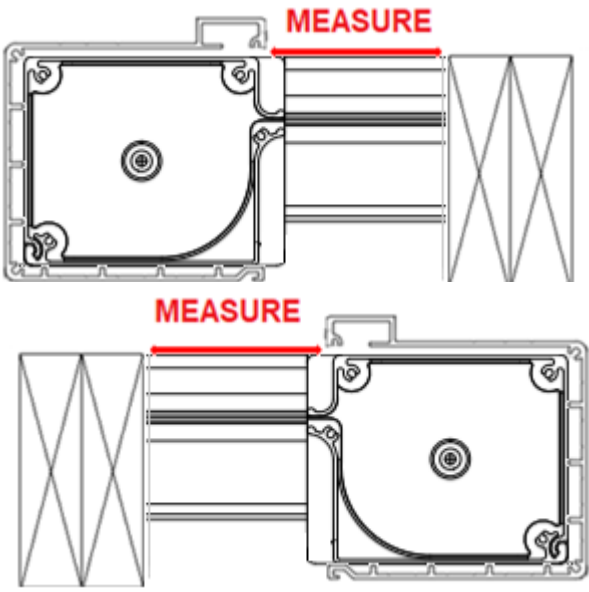
Frame height includes the 3/16th screw head at the top of the jamb

To order
SCREEN for Existing Frame

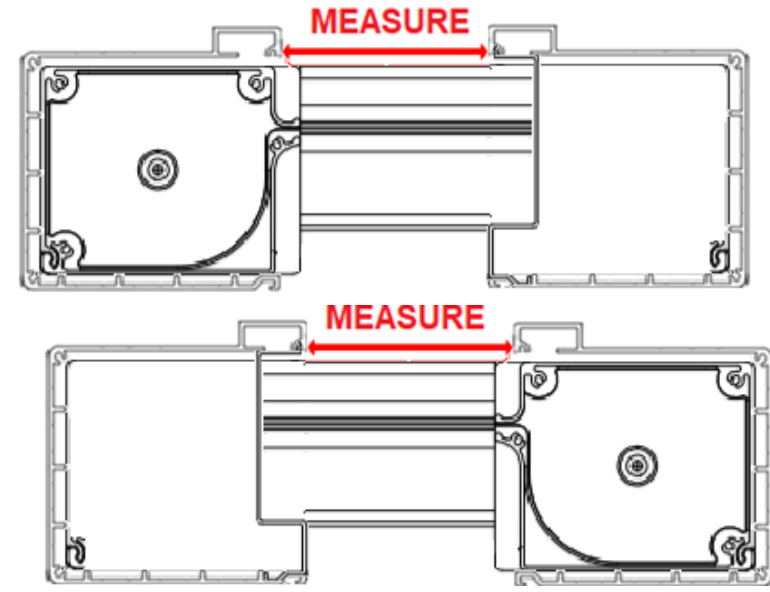
WIDTH

Take the largest measurement and round up by 1/16"ths

SINGLE SCREEN
2 sided Frames

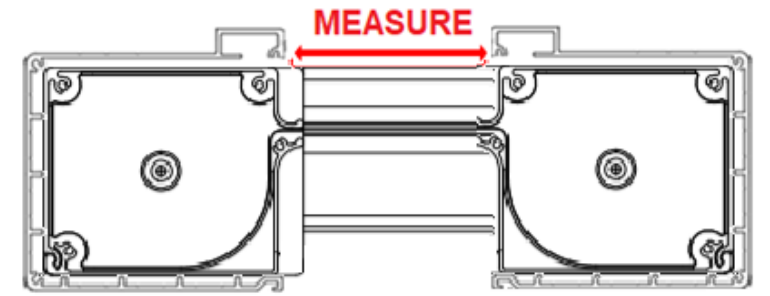


SINGLE SCREEN
3 or 4 sided Frames



DOUBLE SCREEN

3 or 4 sided Frames



2 sided Frames

MEASURED - Single: _____
Add + 5" = _____

3 or 4 sided Frames

MEASURED - Single: _____
Add + 9" = _____

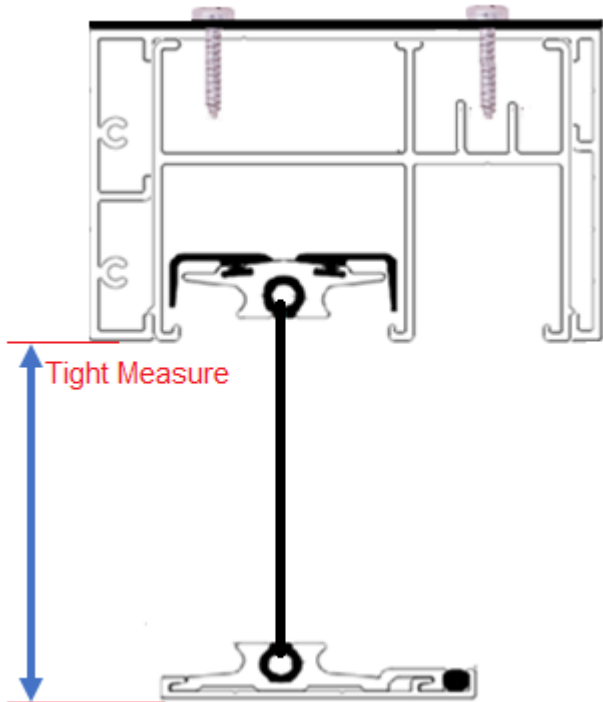
3 or 4 sided Frames

MEASURED - Doubles: _____
Add + 9" = _____

HEIGHT

2 or 3 Sided Frame

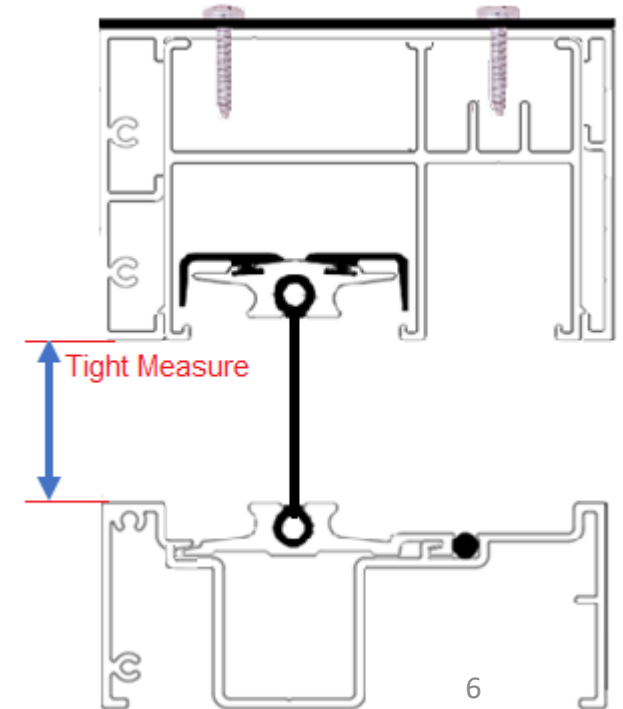
- 1) Measure at least 3 spots to find the **LARGEST** dimension
- 2) Round up to the nearest 1/16th, and add 2 5/8"



Tight _____
 Add **2 5/8"**
 Order Height _____

4 Sided Frame

- 1) Measure at least 3 spots to find the **LARGEST** dimension
- 2) Round up to the nearest 1/16th, and add 4 1/4"



Tight _____
 Add **4 1/4"**
 Order Height _____