

# The Horizon 80mm and 100mm Installation Guide



Installation Videos and CAD files at : [www.wizardscreens.com/technical](http://www.wizardscreens.com/technical)

- Installation requires 2 people
- Screens are custom made and tested for each application
- Store screens in original packaging until installation
- Before installation inspect all products and components
- Photograph** and Report damaged or missing parts immediately to [orders@wizardscreens.com](mailto:orders@wizardscreens.com)
- We recommend installing screens after door installation is finished
- Do not pull out screen system until tracks are in position
- Support the pull-bar when handling the housing to ensure pull-bar doesn't slide off the mesh to avoid damaging the endcaps
- If installing screen system directly onto door frame and threshold, don't fasten into areas that may impact the performance of the door and hardware. Consult door manufacturer if needed.
- Depending on the installation you may need to source different fasteners to install tracks
- Upper tracks are fastened HORIZONTIALLY
- Overtightening the spring may cause damage – before adjusting spring, ensure tracks are level and parallel, and housing is plumb and square left to right AND front to back

**-If you have questions, refer to the service guide first, then call 604-299-8878 before leaving site & ask for installation support, or email [support@wizardscreens.com](mailto:support@wizardscreens.com)**

General Overview – See complete instructions for details

- 1) Read instructions completely before beginning
- 2) Position the alignment jig(s)
- 3) Cut the Tracks
- 4) Cut Track runners
- 5) Insert upper track pin
- 6) Place the housing in position
- 7) Secure the housing at the top
- 8) Feed lower track runner onto the mesh
- 9) Interlock lower track in position
- 10) Insert lower track spline
- 11) Place rear track assembly in position – position with receiver channel
- 12) Fasten outer track, insert track wings
- 13) Slide out upper track runner and feed onto mesh
- 14) Fasten front track assembly
- 15) Screw receiver in position on single doors
- 16) Install Housing cap

If receiver side jamb is not plumb, put a plumb mark at top or bottom to match part of jamb that is:

- 1. further from housing for face mount**
- 2. closer to housing for in-jamb mount**

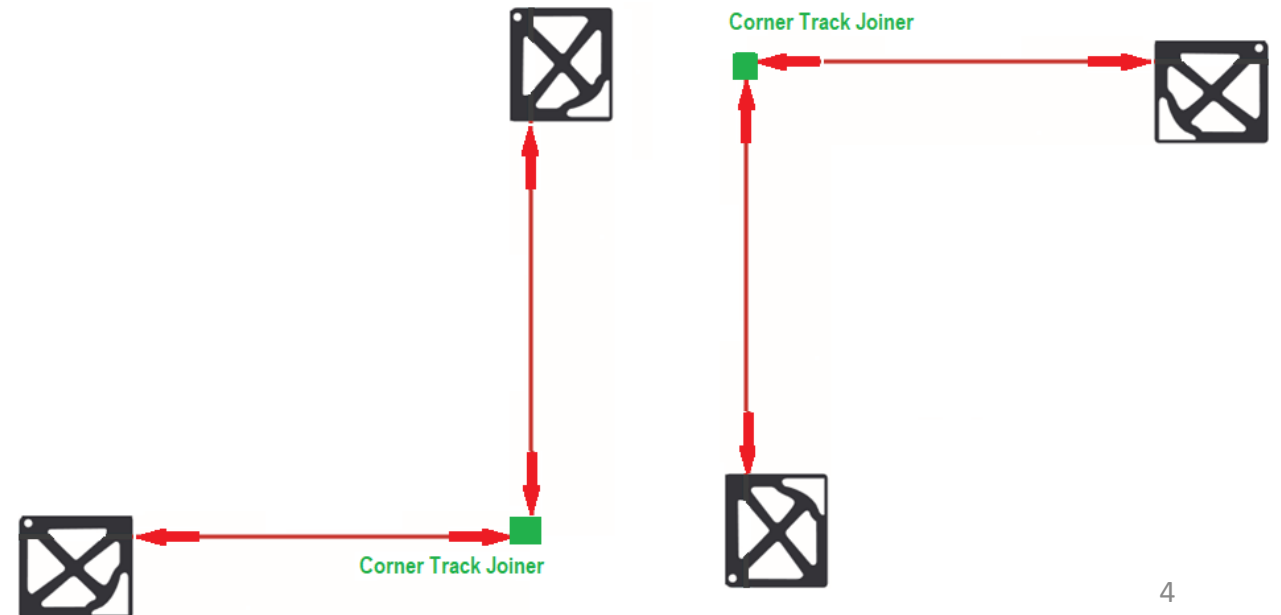
Measure from the positioned Alignment Jig to the jamb or plumb mark - where back of receiver will go eventually. This is the length of **both** tracks.

### Measuring cut length for Single Doors



### Measuring cut length for Corners

External Corner Configuration      Internal Corner Configuration



### Measuring cut length for Double, Offset and Corner Screens

Position track joiner on the track end or into position, measure between alignment jig and track joiner for track length



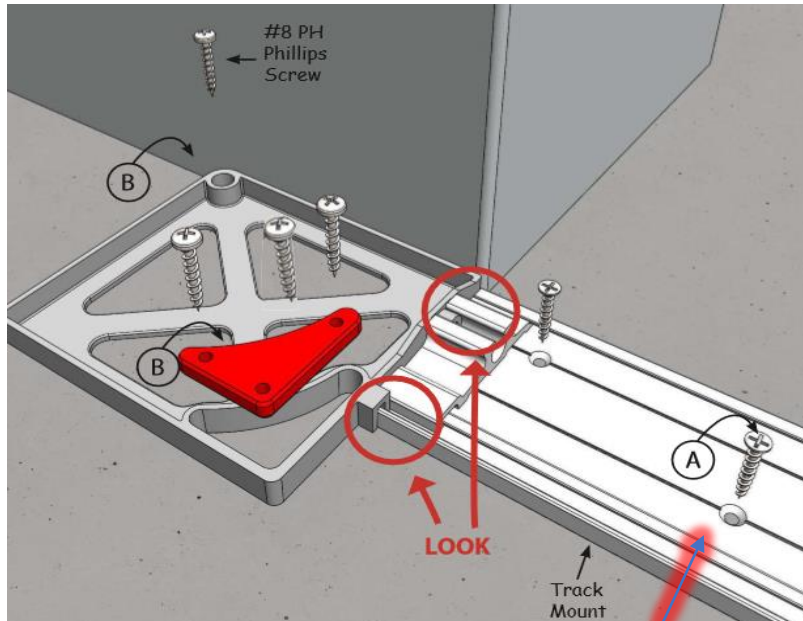
### Install locators

- 1) Place Alignment Jig in position.
- 2) Fasten locators, "B", in place.

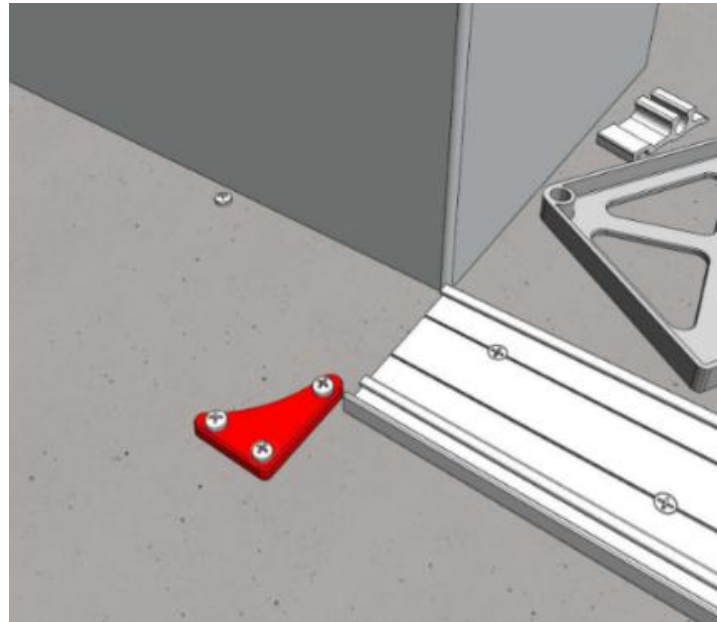
A) Front locator is fastened with 3 screws.

B) Rear locator is a single screw – if the single rear locator cannot be fastened plumb allowing housing to sit flat, it may be removed - **the housing must be able to sit flat and plumb front to back and left to right.**

- a. Single doors have one Alignment jig
- b. **Double doors / Corners have two Alignment jigs**



Countersink the holes flush



**\*TIP:** Short lengths of both lower fixed track mount and lower track will help position the Alignment Jig if those are at your disposal. Then you can measure from Alignment Jig (previous page).

### Cut and install Tracks

*Ensure all track parts are flush at end before cutting.*

**Lower Track:** *Measure and cut all lower track components at one time.*

**Upper Track:** *Measure and cut upper track components at one time, at the same dimensions as you cut the lower track.*

### Install Lower Track Mount

- 1) *Pre-drill and countersink holes in a staggered or paired pattern*
- 2) *Install the Lower Track Mount using #6 stainless steel flat screws. Ensure screws finish flush with track mount - **MAKE SURE the jig guide and lower track mount maintain alignment!***

*(see pictures previous page).*

**Tip!** - *use the lower track Mount as a drill guide to mark the hole locations on floor surface for pre-drilling if required (example: for positioning screw plugs into tile floor).*

Cut track runners

***Cut Upper Track runner at the housing end to fit tight between upper housing endcap and latches/track joiners***

***Cut Lower Track runner at the housing end to fit tight between spigot on the lower housing endcap and latches/track joiners***

Counter sink and debur track runner after cutting – Do not over cut runners

Counter-sink the black track runner



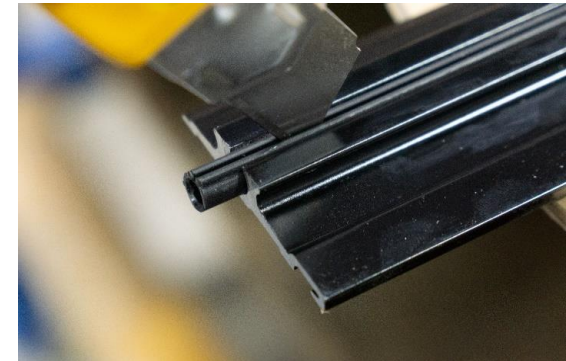
Trim the top edge at 45°



Pull it out approx. 8"



Check track runner is clear of debris

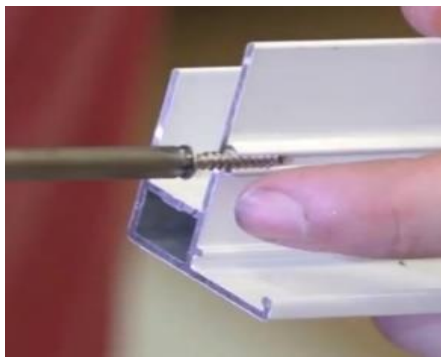


Upper Track Pin

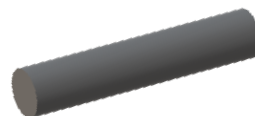
Fit the upper tracks with the Upper Track Pin

Drill a screw in and out of the housing end of the Upper Track Fixed after cutting the tracks (left pic.)

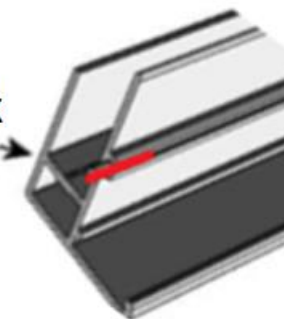
- a. Singles doors have 1 track pin to connect the Upper Track Fixed to the housing
- b. **Doubles doors have 2 track pins to connect the Upper Track Fixed to each housing**
- c. **Corner doors have 2 track pins to connect the Upper Track Fixed to each housing, and 2 track pins to the Upper Corner Track joiner**



Upper Track Pin



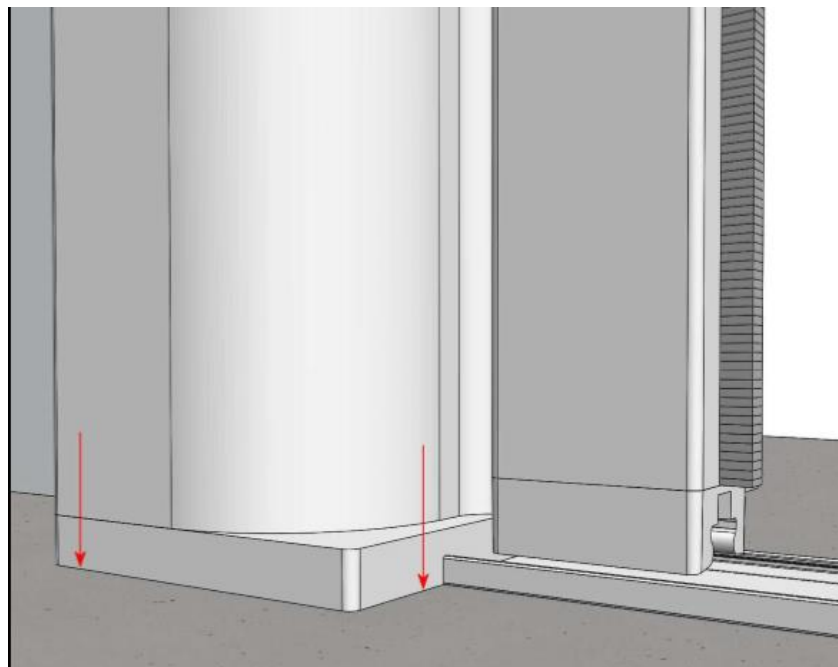
**Upper Track  
Pin**





*Push housing firmly down to ensure the housing sits flat and is plumb*

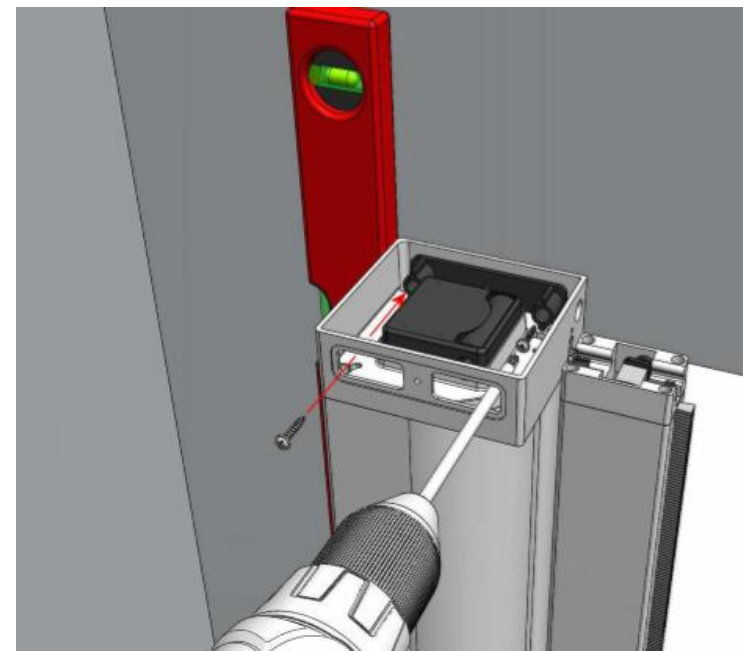
*Housing: FLAT and PLUMB  
front to back and left to right*



*Fastening upper housing through backer plate*

*Plumb housing and secure to the wall with #8 x 2" screws through backer plate*

**Tip!** *Screws can be inserted into backer & held with tape prior to fitting to make it easier, or a screw-holder can be used*

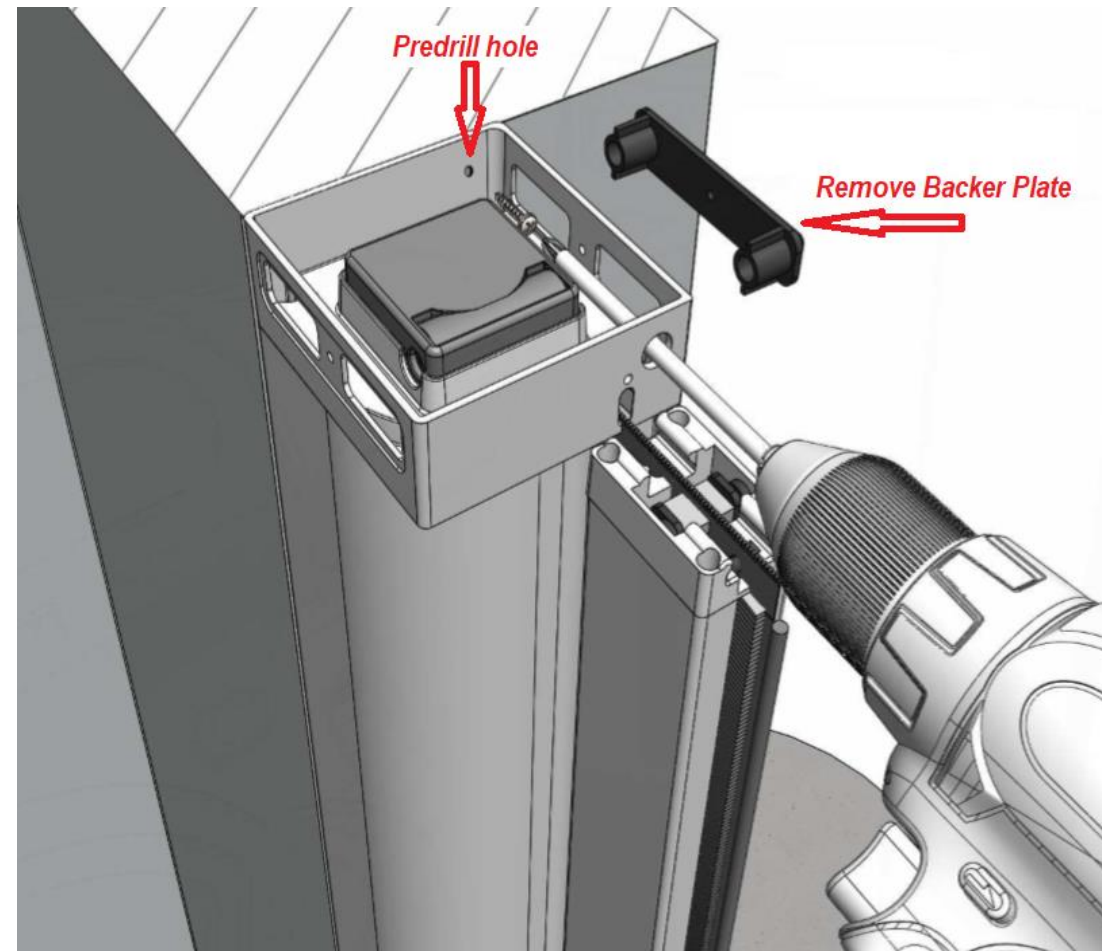


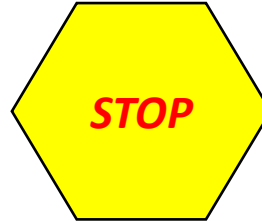
*Optional Reveal fit inside the jamb for 100mm System*

*Remove the backer plate*

*Predrill a hole through the housing endcap*

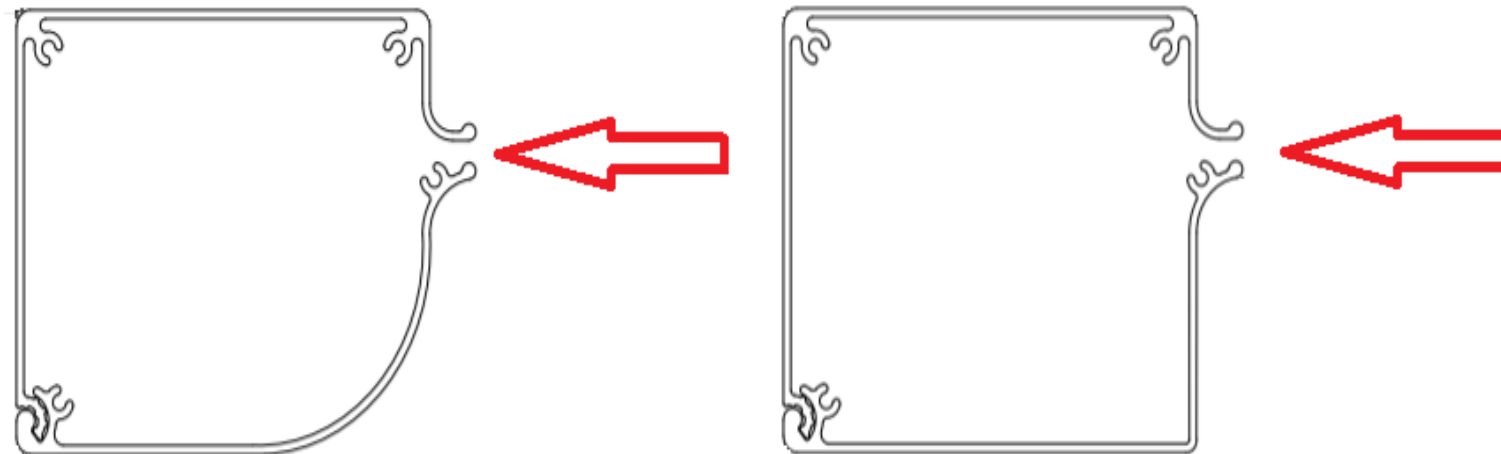
*80mm Horizons cannot be mounted this way*



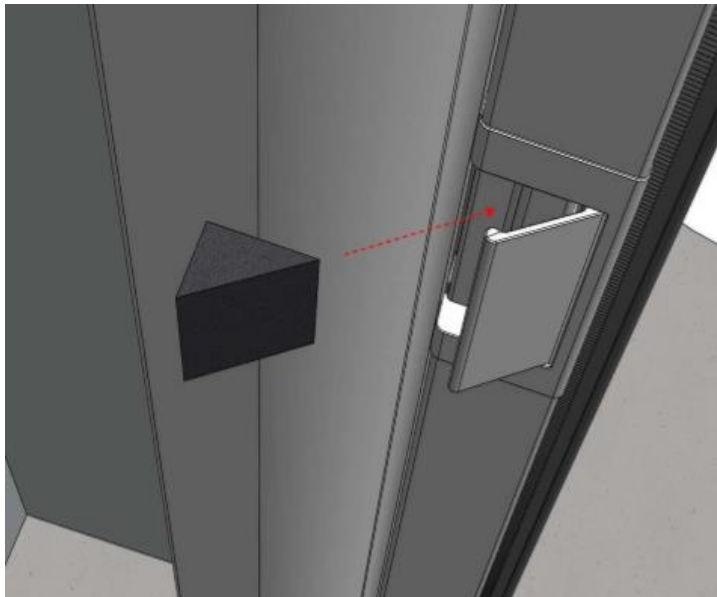


*Check the mesh slot in the housing – if the housing has been twisted or forced into the opening during the install, the slot may get squeezed smaller. This will prevent the screen from operating smoothly or at all.*

*Either reinstall the screen with this consideration, or see the Maintenance and Service guide on our Technical site for how to increase the gap using spline.*



*Before installing tracks, cut a wedge from the packing foam (or use a RED “\*brake release”), to lock the handle in the open position. This disengages the top and bottom brake to allow the tracks to be positioned*



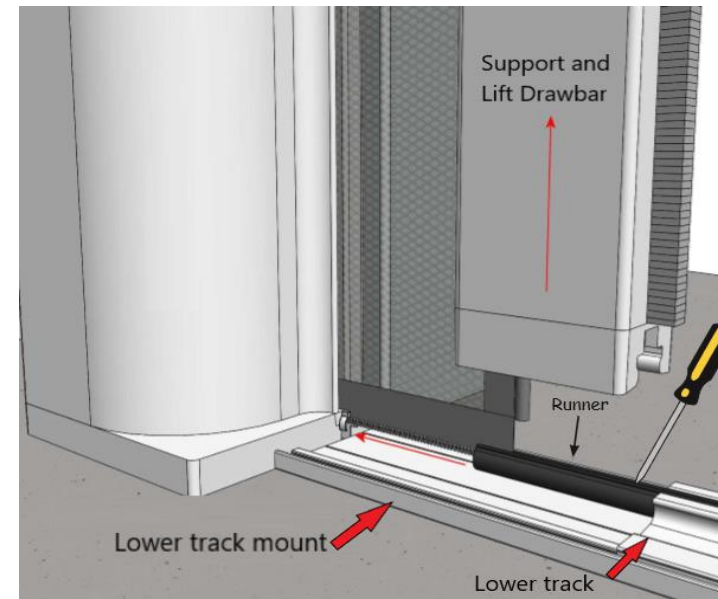
*\*brake release*



*Install the Lower track by sliding the Runner out of the lower track and GENTLY feed onto the zipper, and feed it flush against the housing endcap spigot.*

**TIP!** You can use the tip of a flat head screw driver to slide the runner out

Support pull-bar and **GENTLY** slide track runner onto zipper



### *Installing Lower track on Double and Corner Doors*

*Set the housings into place and proceed to install the lower track mounts. Then lift the pull bar on one side and gently feed the lower track runner onto the zipper. Lower the pull bar and feed the track tight up to the housing in alignment with the spigot. Repeat on the other side.*

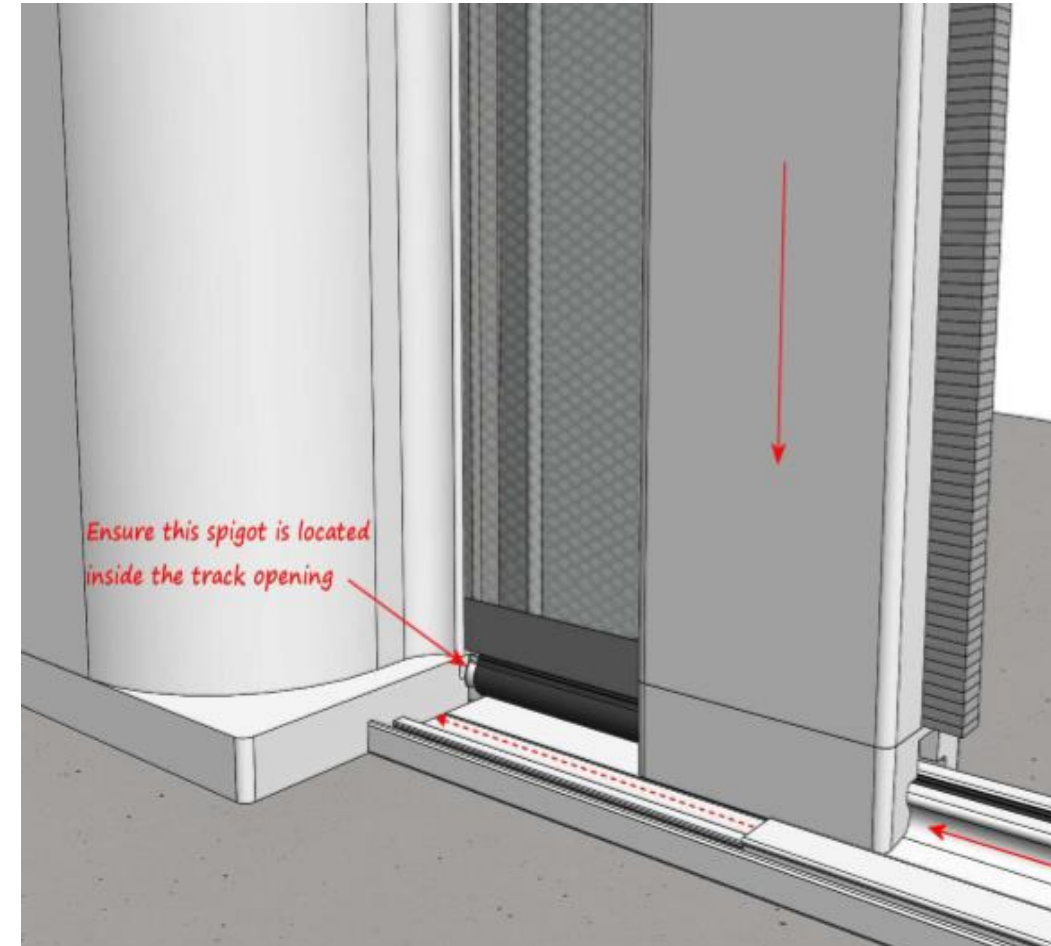
*Lift tracks at the mid-point and screw in the lower track joiner – ensure the lower tracks are interlocked in the lower track mounts. Finally, insert the spline.*

*Slide the drawbar back onto the mesh, then flex the lower track as required to slide the track straight through the drawbar endcap & up to the housing.*

*Interlock the housing-end of track into the lower track mount, then slide it over the spigot on the housing. Ensure the track is pushed firmly against the housing.*

*Locate the rest of the track into the mounting grooves, then push down & back to interlock.*

*Lower drawbar and feed track TIGHT up to housing – ensuring it's on the spigot.*



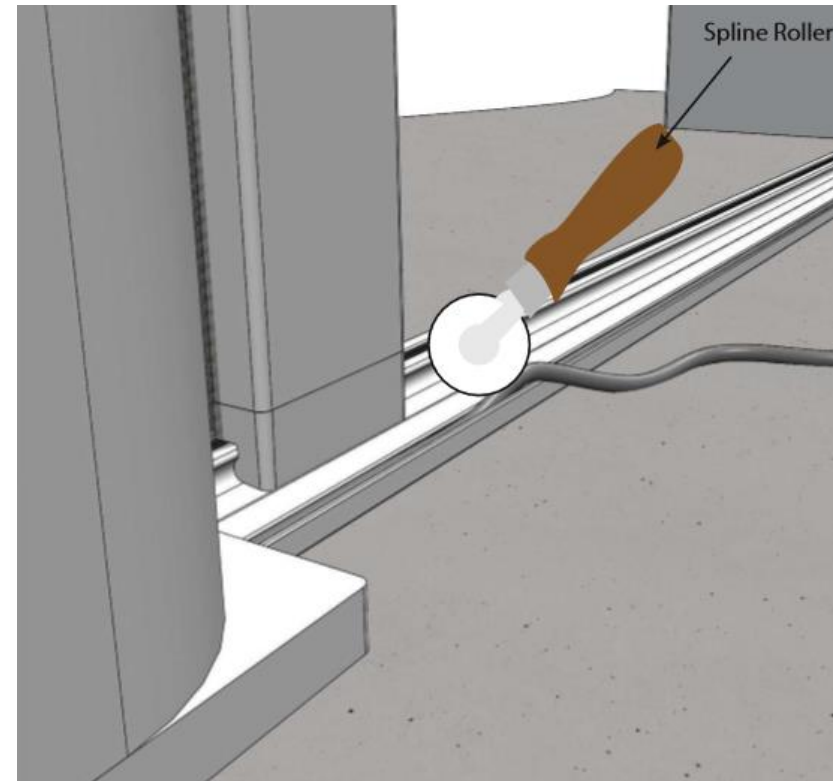
*Inserting spline into lower track mount*

*Secure the lower track in place by inserting the tubular spline into the groove, preventing the track from unhooking from the mount*

*Starting at the opposite end to the housing, use a standard mesh spline roller to roll the spline into place being careful not to stretch it (If you stretch it, it will shrink back later leaving a gap).*

**Hint:** *Leave some extra spline hanging out at each end to allow a little shrink after fitting. This can be trimmed after the entire installation is completed.*

*When trimming, it's best to leave an extra 5/32" & compress it into the track to allow for creeping.*



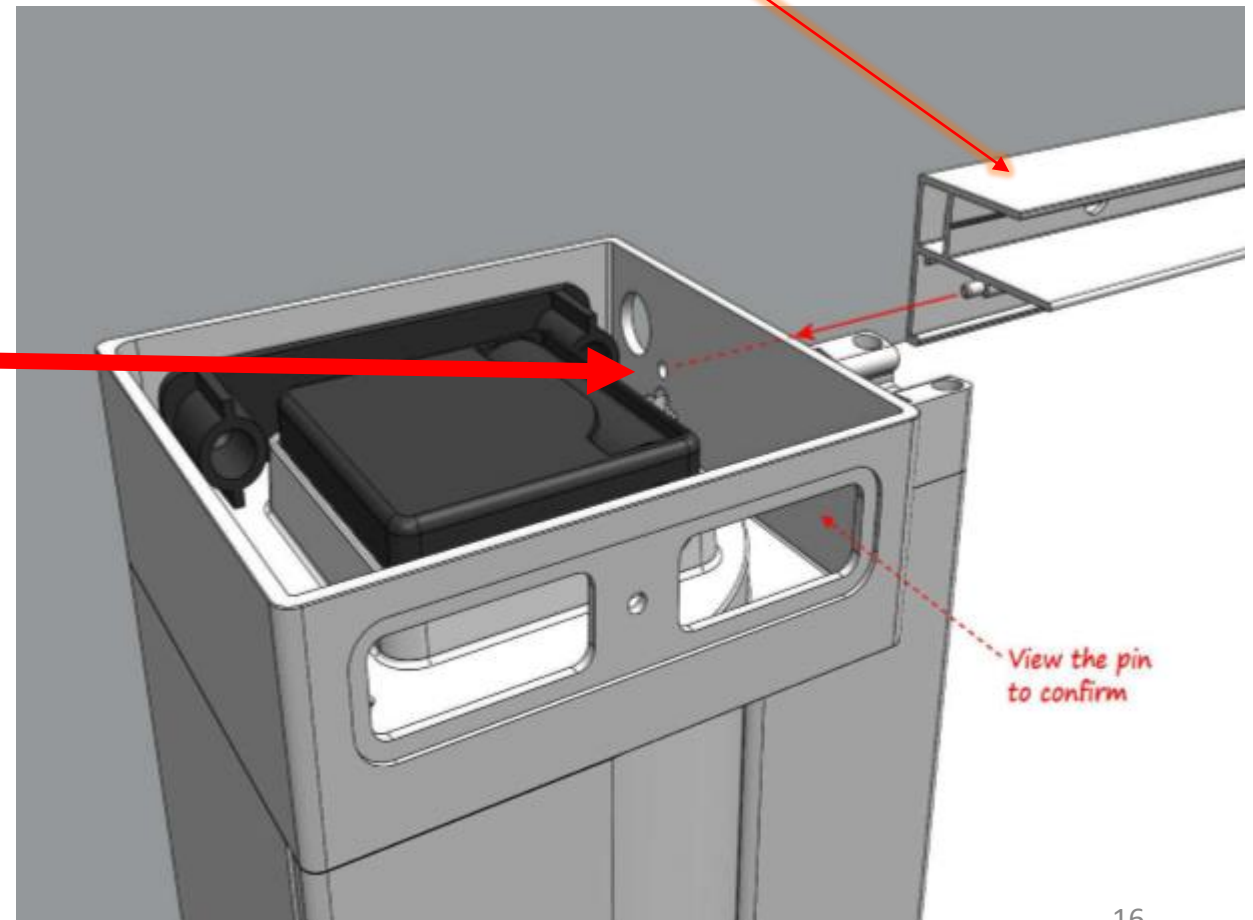
*Fit Upper Track Fixed to the upper housing cap, ensuring the upper track pin is located within the alignment hole*

*\*Check the pin hasn't pushed back into the track. You should be able to view it through the endcap access window to confirm locator pin fits into alignment hole*

**Installing track – Double and Corner Doors**

*Install one Upper Track Fixed end with the pin into each housing – ensure you are aligning with the alignment pin*

*Upper Track Fixed*



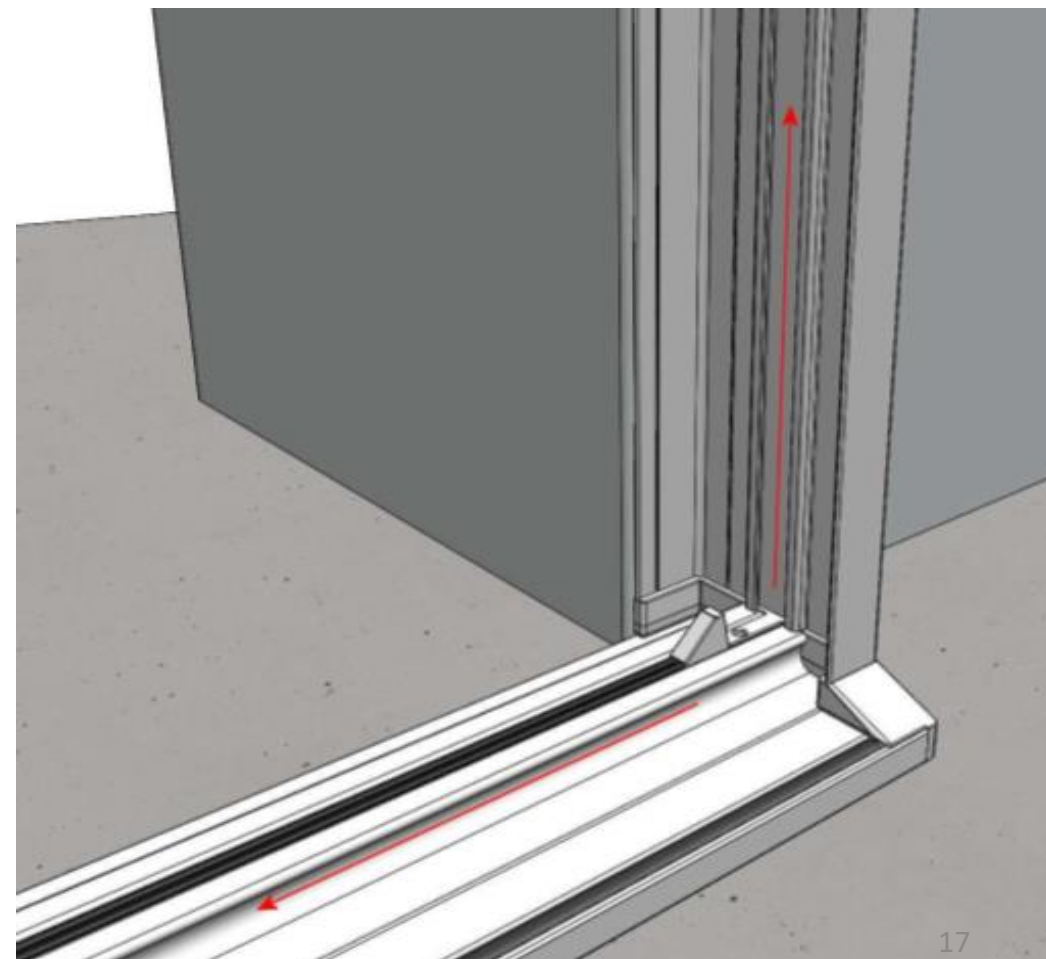


Receiver channel is used to set correct upper track height

*Use the receiver to support the far end of the upper track for fixing. This acts as a guide to set the correct height (see next step). At the end of #1 Track Fixed, opposite to housing, place the receiver channel between the “Top and bottom tracks” (“top of the bottom track” to the “bottom of the top track”) and secure the upper track in place using the receiver channel as the height gauge*

*Repeat the method by positioning the receiver beneath each screw location before affixing to ensure top & bottom tracks remain parallel (see next step)*

**Double and Corner doors have a single receiver channel provided for measuring the position of the upper track**



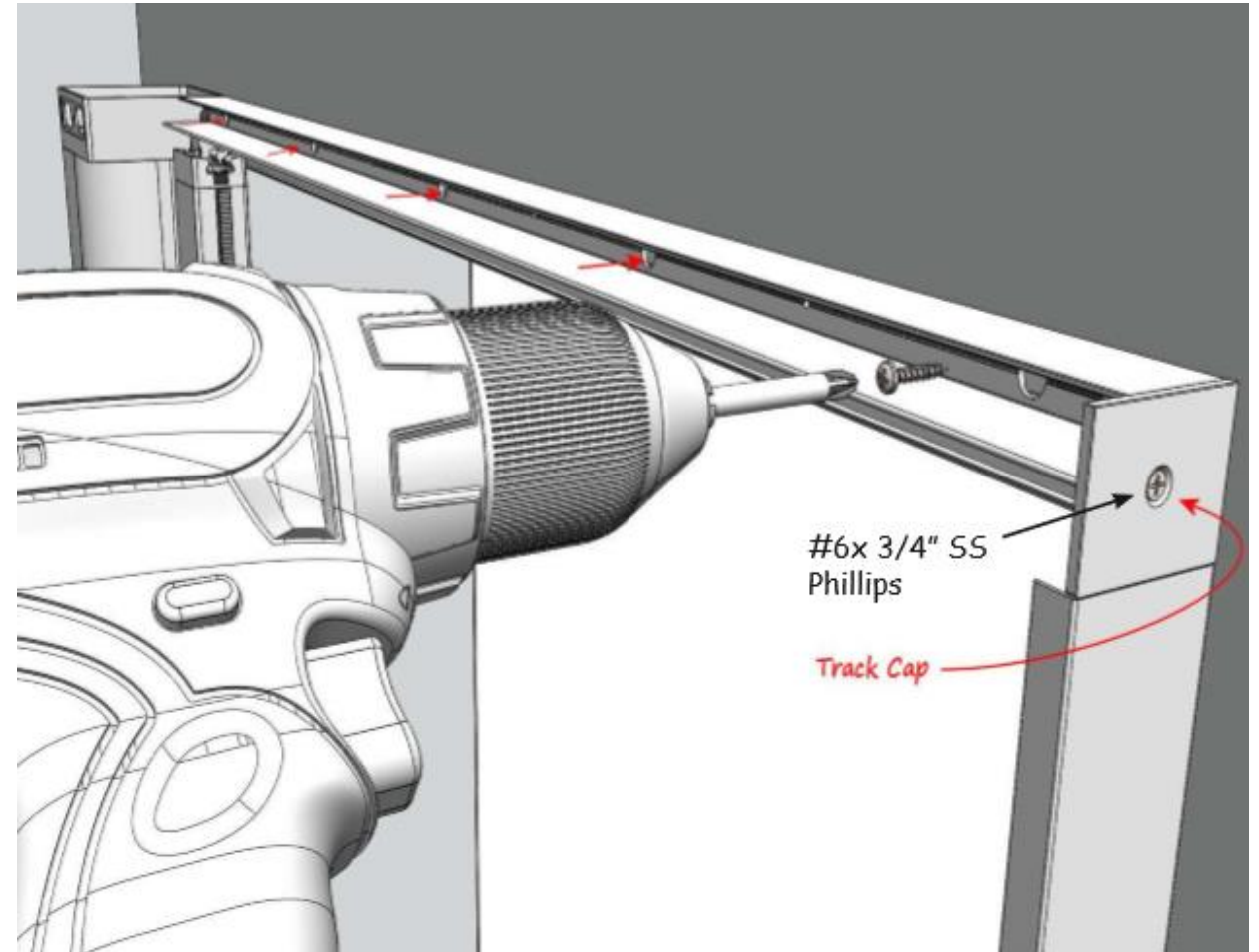
### Fastening Upper Track Outer using Receiver Channel for correct height gauge

With the top track supported by the receiver, fix in place with #6 x 1" screws through the pre-drilled mounting holes

Repeat previous step for all mounting holes to ensure both tracks remain parallel

#### Installing track – Double and Corner Doors

Using the receiver channel provided, temporarily fasten the opposite ends of the upper track with a single screw (with the upper track joiners), with single screw. Repeat on the other upper track and set the correct height on this track by using the receiver channel as you would on a single door. When this side is correctly positioned, remove the single screw on the other side and use the receiver channel to set the track to the correct height.



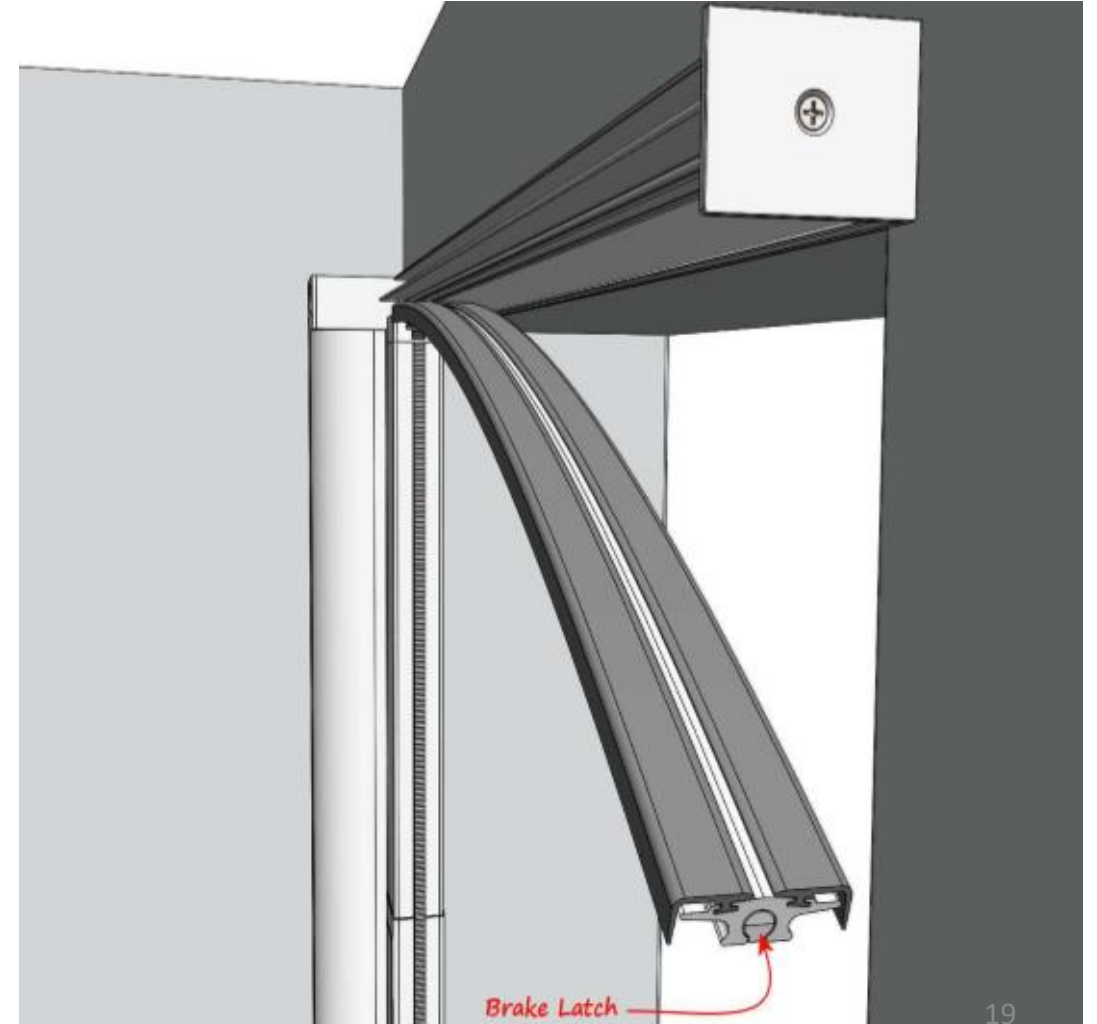
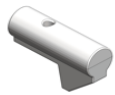
*Lift the upper track into position adjacent the upper drawbar cap*

*Allow the far end to flow downward to allow it to fit within a reveal during installation. (this diagram shows face mount) – support both ends*

### Installing Upper Track

**Doubles & Corners have upper and lower brake latches to install**

Brake Latch

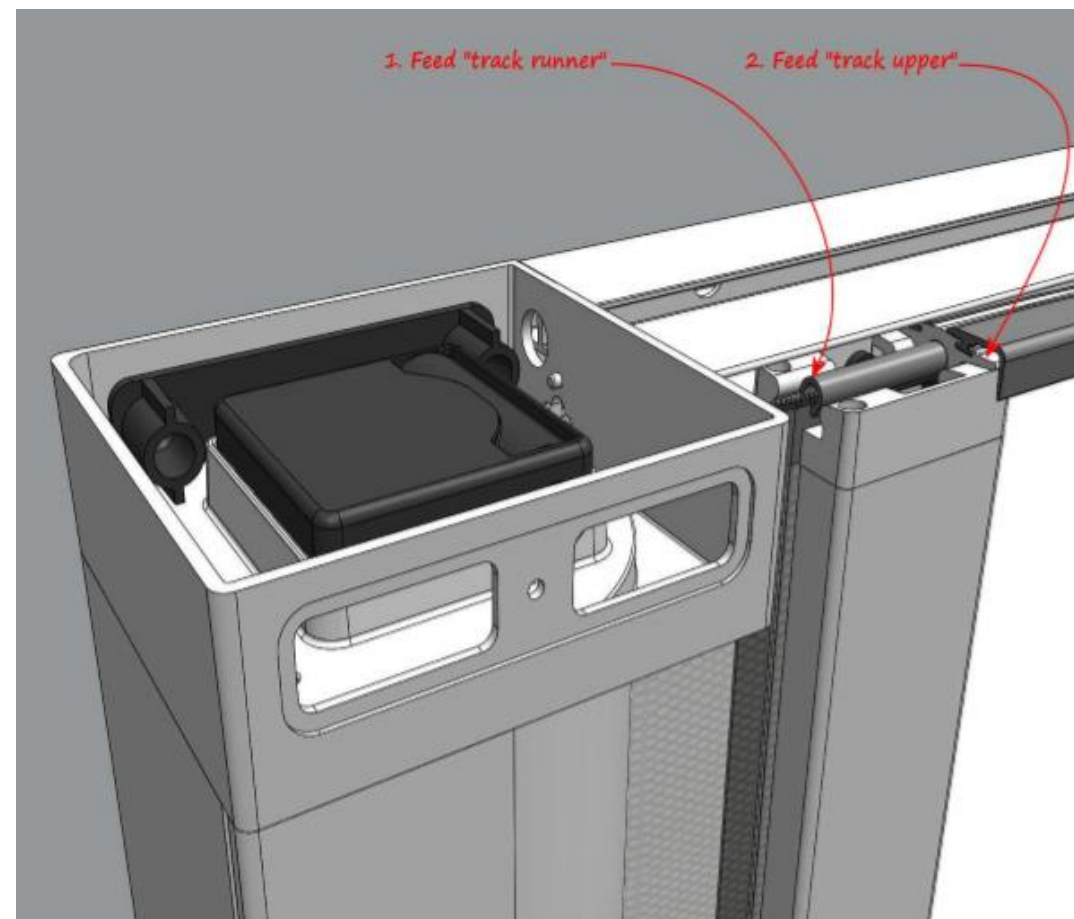


**Installing track – Double and Corner Doors**

*Once upper track fixed is affixed, install the upper track and wings, and screw in the outer track cover on both sides.*

*Ensure the “track runner” is protruding approximately 6” to allow easy feeding over the zipper*

*Gently feed track runner onto zipper against the housing like the lower track.*



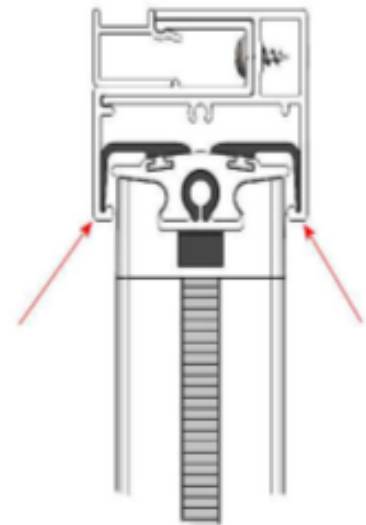
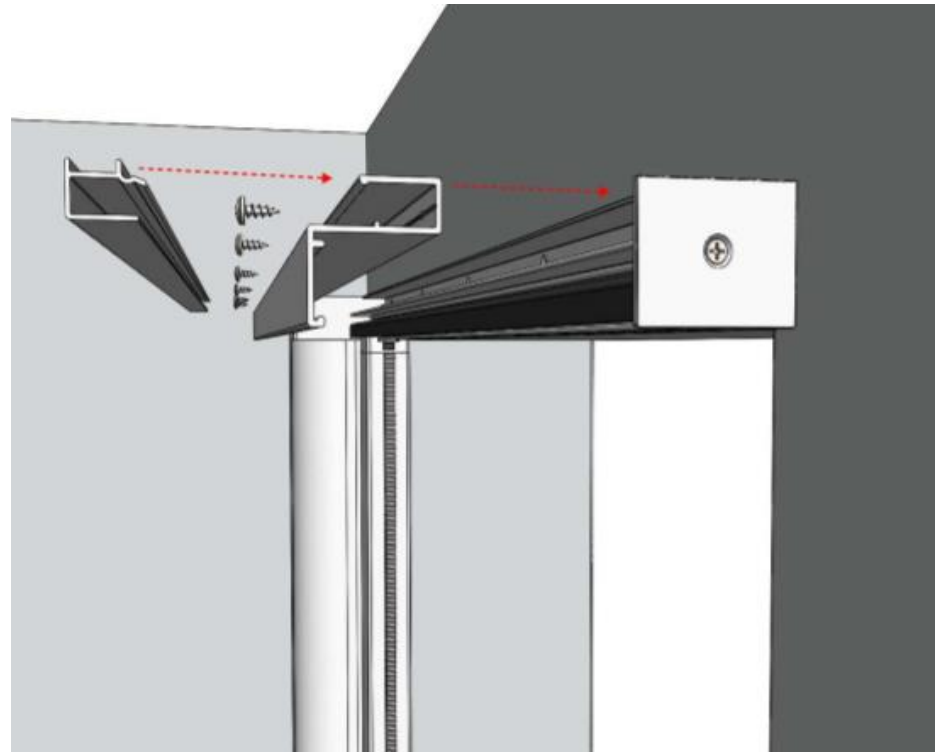
### Installing outer track and filler

*Insert Upper Track Outer & screw into position using #8 x 1/2" screws in the pre-drilled holes*

*Note: Clip the "Track-filler" into place **after** testing (next page) .*

*Note: Ensure the "wings" on the top track are tucked into position on both sides. (Right pic.)*

*Do **not** pull the screen out until the outer track is installed and screwed into position to support both wings. Ensure you have a screw no more than 6" from the housing here as a tight track assembly near the housing will prevent the upper track runner from shifting during operation – **operating the screen before you finish installing the upper track can cause it to jam and damage the mesh/zipper***



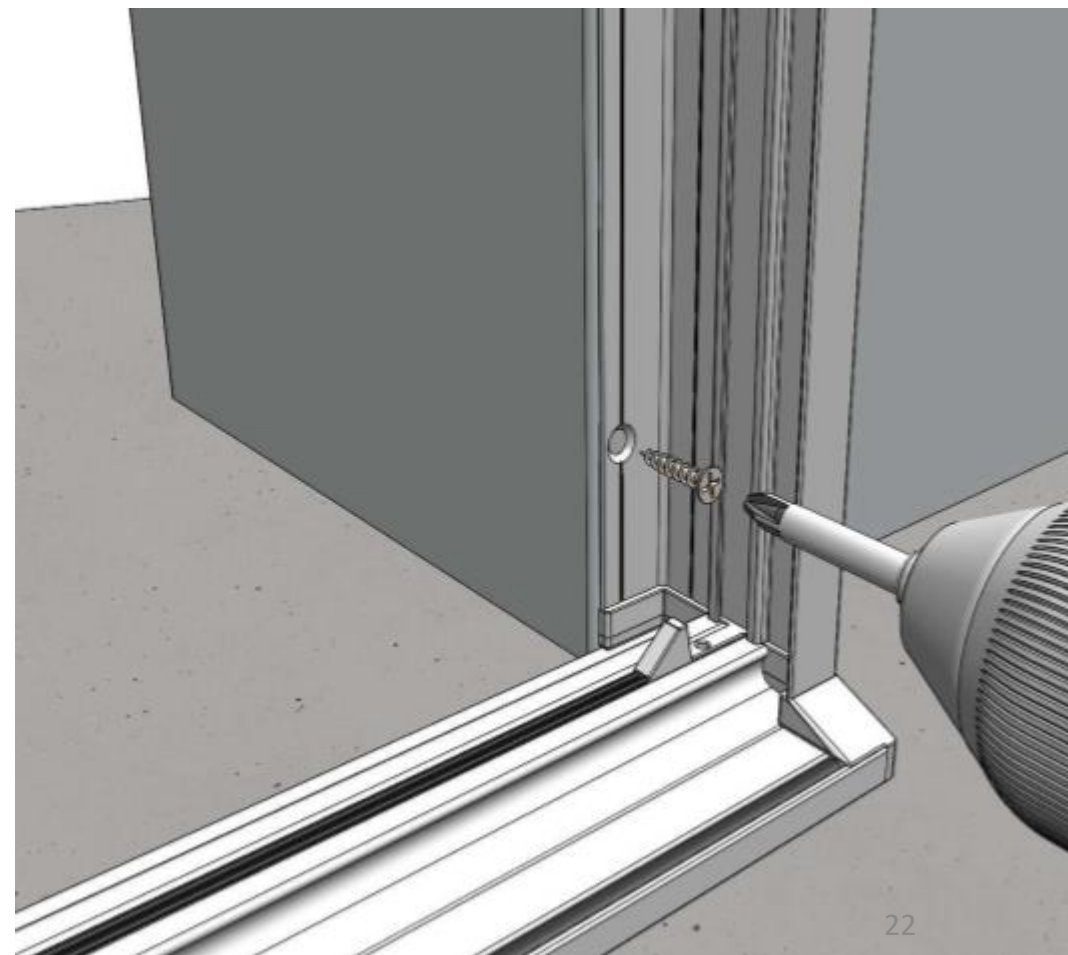
*Fasten receiver channel – Single screens*

*Screw “Receiver” into position using painted #6 panhead screws (not flatheads as shown).*

*Spray bottom track & runner with DRY silicone spray. Then wipe track with one pass.*

*Slowly pull the drawbar across to test. If any resistance is felt, immediately stop & allow the screen to retract again.*

*Repeat this process until the screen can be fully drawn & retracts freely.*

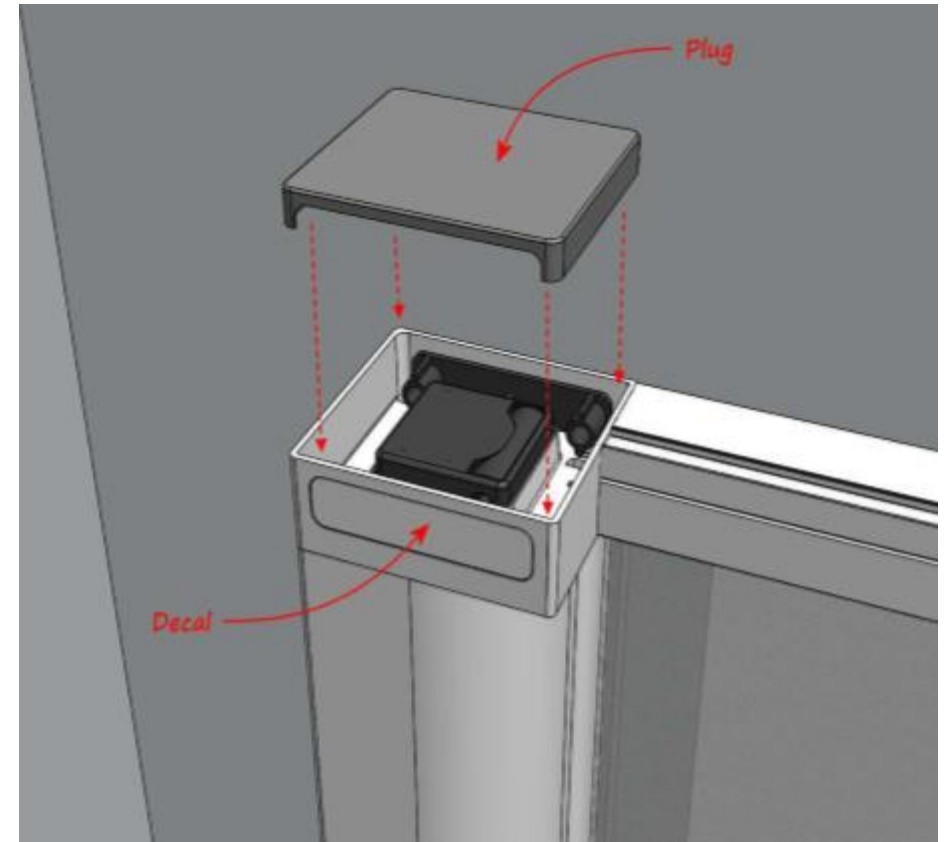


Housing top endcap plug

*Apply the logo decal over the access window opening.*

*Fit the “Endcap plug” into the top of the housing(s)*

*Note: For under-header mounts, plug may need to be fitted  
prior to installation.*



*Spring Tension should only be adjusted after checking install – see [Horizon Maintenance and Servicing](#)*

*If the pull bar does not operate smoothly across the opening do NOT adjust the spring until screen is operable.*

- 1) Housing is flat on the ground, plumb side to side and front to back*
- 2) Housing mesh slot has not been squeezed during the install*
- 3) Housing is square with the tracks*
- 4) The upper track pin is attached*
- 5) Top track is firm against the housing*
- 6) The lower track is on the housing endcap spigot*
- 7) **Tracks are level** side to side **and** plumb with each other front to back across the opening*
- 8) Zippers are in the correct position in the housing endcaps*
- 9) Tracks sprayed with dry silicone*

*If you require further support after checking the above, please contact our support at [support@wizardscreens.com](mailto:support@wizardscreens.com)*

*If you have to leave the site, please take pictures of the problem and include close ups of where the tracks meet the housings so we can see how they are positioned and where the mesh is.*





Factory Recommended Spring Turns, Phifer 18 x 14 mesh (6mm allen key)

Seconds to drill **CLOCKWISE** on **LOW SPEED** from 0

Factory Setting: Approx. 45 **CLOCKWISE** turns on spring. Our Standard Driver (with a 6mm allen key) on **LOW SPEED** averages 11 turns per 30 sec. (20 turns of the allen key = 1 turn on the spring).

Wedge the handle open. Wind the spring while gently drawing the pull bar back and forth near the housing.

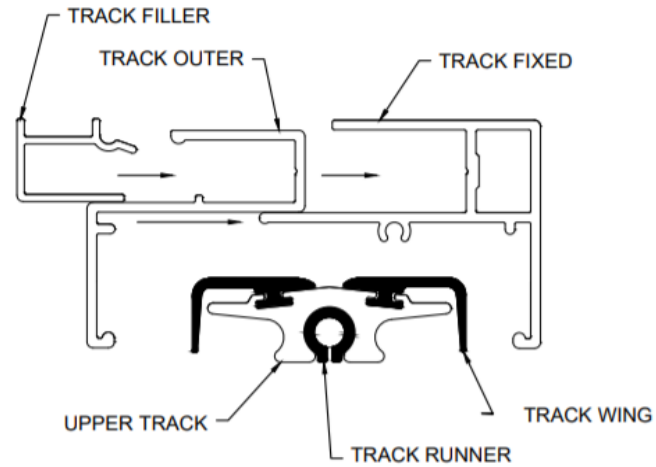
If the pull bar does not move, there is likely a mis-alignment in the track(s) or housing – STOP winding and check the housing and tracks for plumb, level, and square. Check distance between tracks (2" less than the housing height).

**DO NOT OVER-TENSION SPRING.** Doing so can cause it to break.

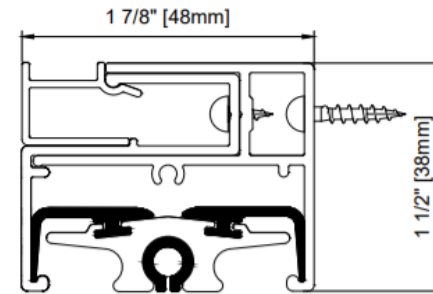
80mm	Width (ft)					
	4	6	8	10	12	14
Height (ft)						
6	87	93	98	103	109	114
8	93	98	103	109	114	120
10	98	103	109	114	120	125
11	101	106	112	117	122	128

100mm	Width (ft)					
	10	12	14	16	18	20
Height (ft)						
6	103	109	114	120	125	130
8	109	114	120	125	130	136
10	114	120	125	130	136	141
11	117	122	128	133	138	144

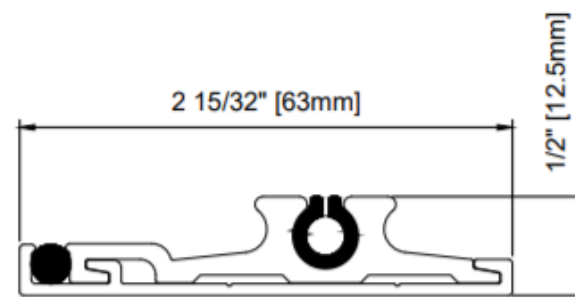
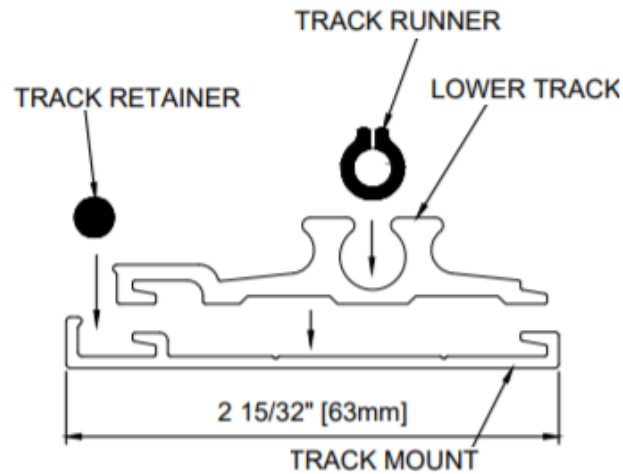
Upper track



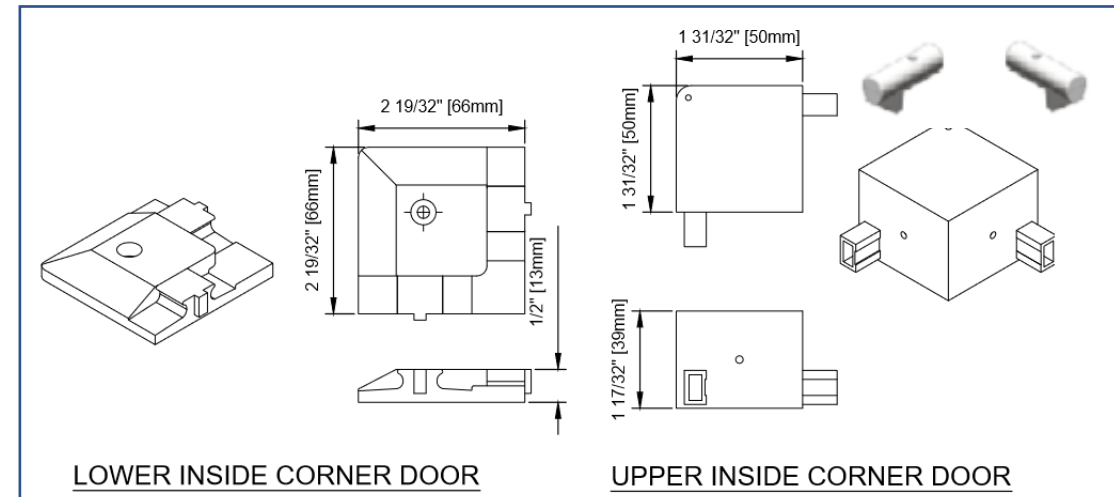
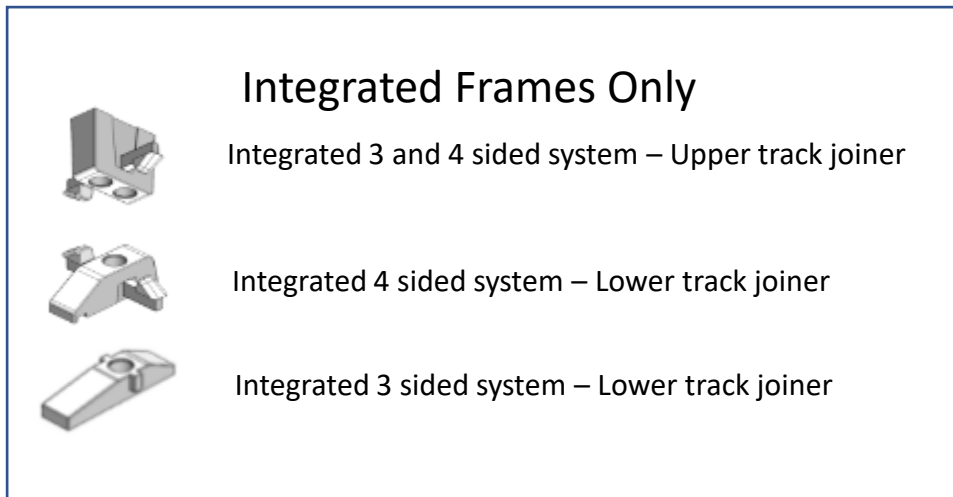
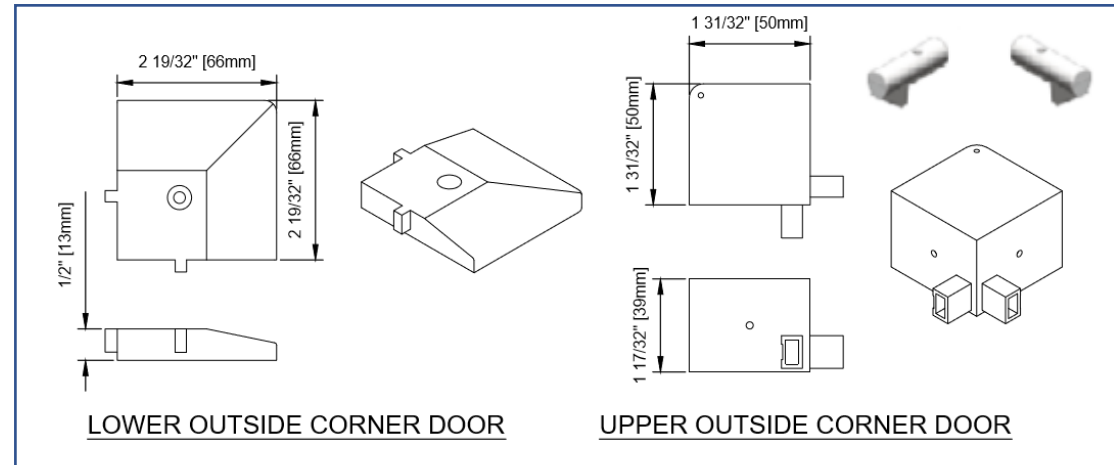
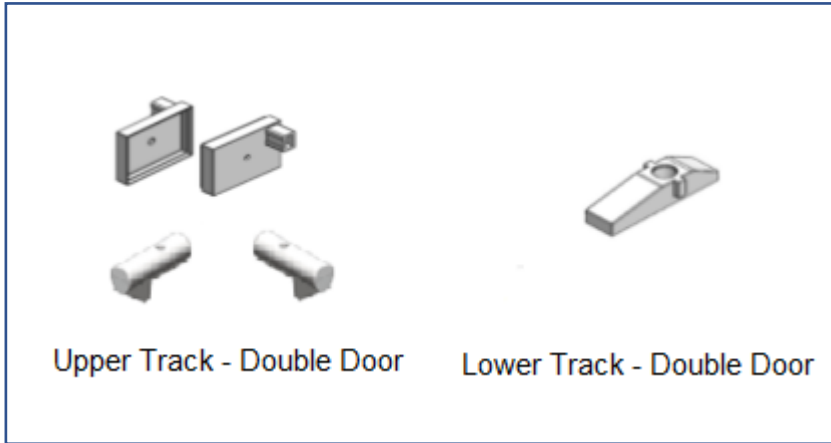
Upper Track – Surface Mount



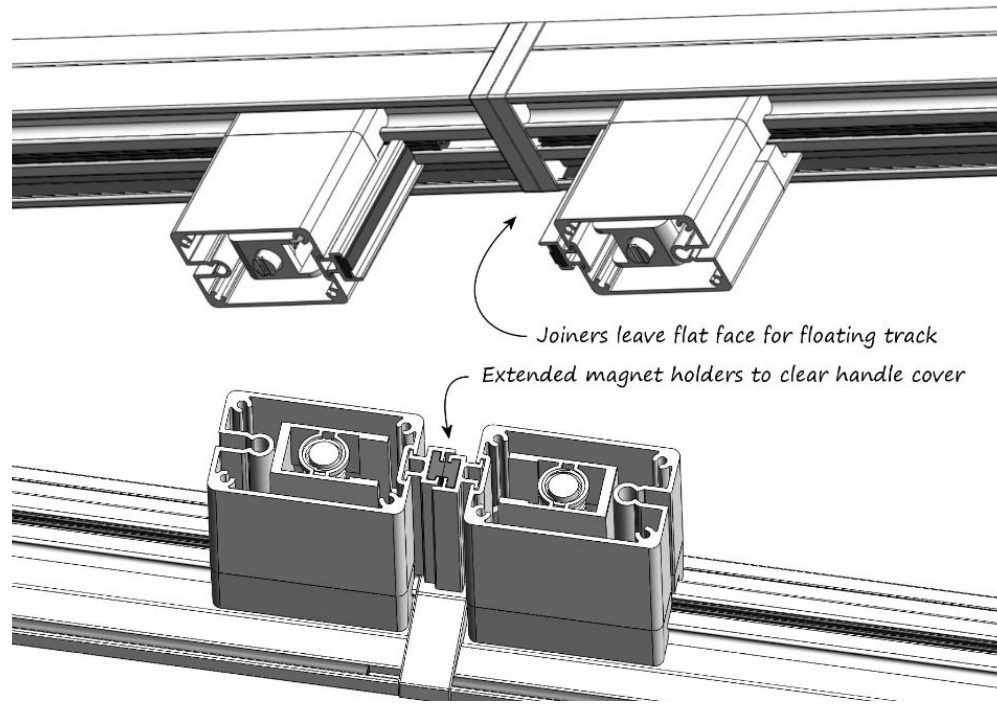
Lower Track



Track Joiners and Latches for Doubles and Corners



Double track connectors – non-integrated frames



Corner track connectors

