



# Installation

- 1) Read installation instructions before you install
- 2) Each screen system is custom made to each specific application
- 3) Store screens in original packaging until screens are ready to be installed
- 4) **Before installation inspect all products and components**
- 5) Do not pull out screen system until tracks are in position
- 6) Once housing is mounted tracks are to be cut to length
- 7) Damaged components should be photographed and reported immediately
- 8) Before screen is installed be sure that screen (zipper Teeth) are positioned correctly in housing zip guide as per **Figure 1**
- 9) Remove 2 small track pieces used for shipping support – top and bottom **Figure 2**
- 10) We recommended install screens after door installation is complete
- 11) Do not operate screen system without using hand braking system!
- 12) Ensure screen is installed to be removable for future servicing!

If you need installation support, before leaving site email [support@wizardscreens.com](mailto:support@wizardscreens.com) or call 604-299-8878

**Figure 1**



**Figure 2**



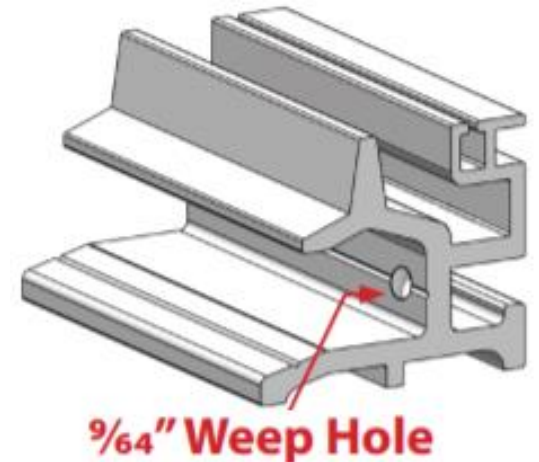
# VistaView Important Considerations

## Concealed applications

- Screen housing and tracks must be easily removable in the event that screen requires servicing. If you are concealing the system ensure you are using removable millwork

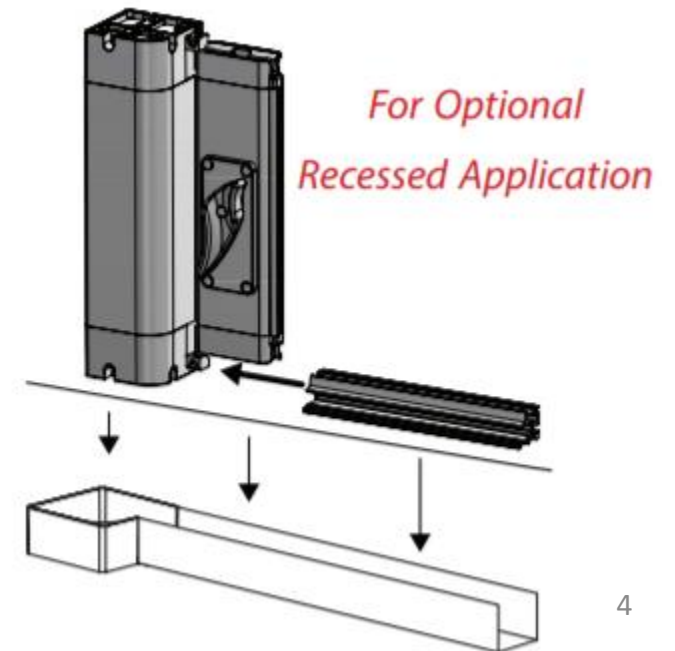
## Exterior Applications

- Screens installed on exterior require weep holes drilled into the tracks to permit water drainage, see below
- To allow for additional water egress allow 1/4" gap where the track meets the receiver
- ANY screen installed on the exterior of the home requires for all lower track pilot holes to be filled with silicone sealant before screws are fastened.
- **IMPORTANT NOTE: For exterior applications that are installed in unprotected areas please note that Recess Channel and tracks are not weather proof. Water Egress is the responsibility of the general contractor or builder**



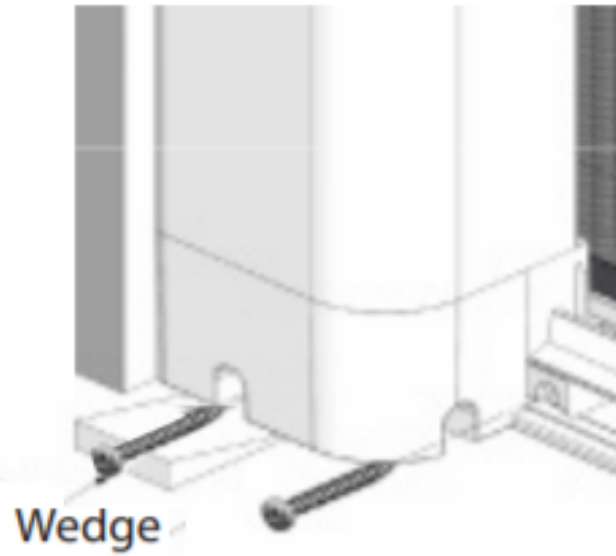
## VistaView Recessed Lower Track

- Recessed cup and channel are assembled and screwed level in position before housing unit is dropped into position. Then track and housing are fitted together and inserted into recess.
- The cup secures the housing and no bottom housing screw is required. The screen system does not trap water in housing, tracks or recess channel so any applications where door is exposed to weather the contractor or builder needs to provide considerations for water egress.
- **IMPORTANT NOTE: For exterior applications that are installed in unprotected areas please note that Recess Channel and tracks are not weather proof. Water Egress is the responsibility of the general contractor or builder**



## Mount Housings

- Maneuver housing into position so it's plumb. You may wish to support it using a wedge.
- Fasten through top housing cap using provided housing screws, we recommend you pre-drill into mounting surface.



**Double Doors: TIP: Add Total Length of track including track guide, track extension, track (and joiner on doubles) to find out how far apart housings need to be.**

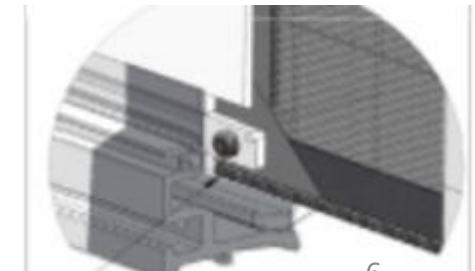
## Installing Receiver – Single Doors

- The receiver channel is installed on the side opposite of the housing. Position it so its bottom and the tracks bottoms will be in line.
- Pre-drill and fasten receiver channel in place using screws with 2' – 3' spacing in between.

## Installing Tracks

- Before mounting tracks, use a counter sinking bit to widen track zipper point
- Install track guide and smooth zipper groove with knife or flat head screw driver to ensure the groove and track guide will receive the zipper in good form
- Pre-drill upper and lower tracks with 1/8" holes 16" apart and fasten lower track in place
- Slide bottom track through the pull bar end-cap be sure zipper runs into the track guide. Butt the track against the housing so the holes in the track guide and housing end cap are aligned, fasten here using provided track screws
- Top Track Requires Two People. The top track is fed to the pull bar end cap in the same manner as the bottom.
- Butt the track against the housings so the holes in the track guide and housing end caps are aligned
- To ensure tracks are parallel bring pull-bar across in equal intervals and fasten track along the way - **ensuring there is 1/8" – 1/4" vertical play in the pull bar when positioning upper track.**
  - You could also measure from bottom of lower track to top of upper track. This is most cumbersome though.
- Tracks must be level and plumb, check with a level, shim as required
- On Double and Corner doors: Do Not Extend Screens Past The Track Joiners

**Be careful not to damage the zipper or mesh when feeding it into track through track guide**



## Wizard Screens

# Keeping the Excellence in Screens