

VISTAVIEW™

Measuring Guide



Contents

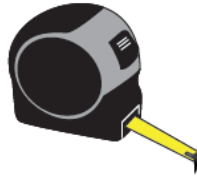
1. Tools Needed	3
2. Orientation & Width	3
3. Vertical Measurement	4
4. Component Dimensions.....	6
5. Other Considerations	10

1. Tools Needed

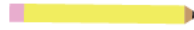
Level



Tape Measure



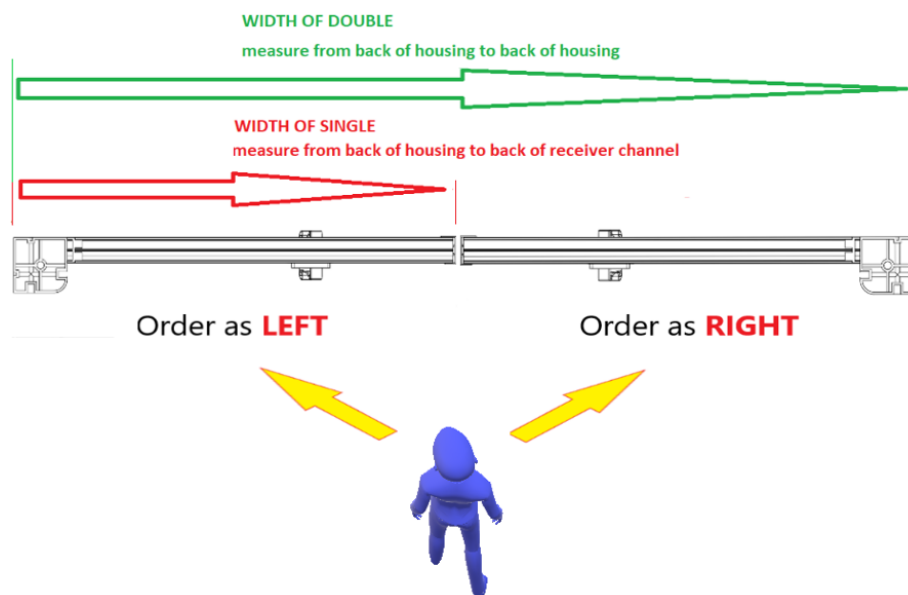
Pencil



*Laser Distance Measure optional



2. Orientation & Width

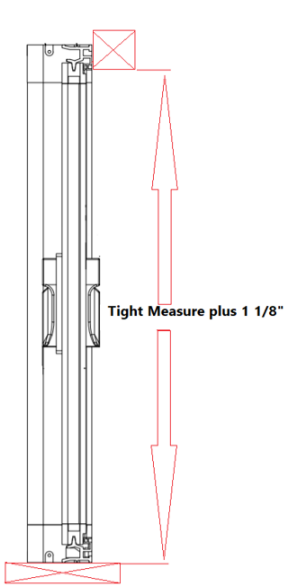


3. Vertical Measurement (Retrofit)

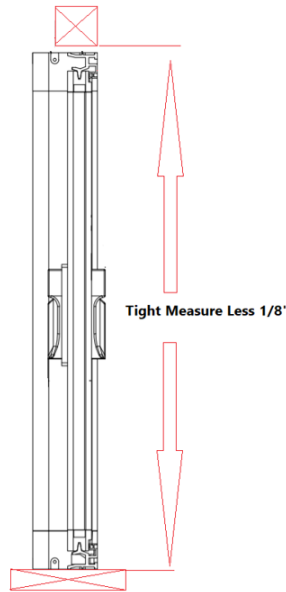
***NOTE:** The measurement from the top of upper track to the bottom of lower track is the same as the height of the housing (as in figures below).

For all configurations, measure from the finish floor to the underside of header at multiple points along the opening. Record the smallest measurement.

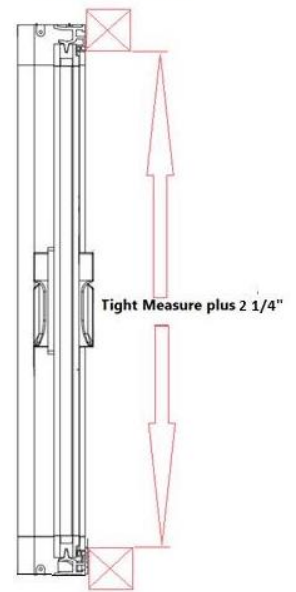
Upper Track - Surface Mount



Upper Track - Under-Header



Upper and Lower Tracks - Surface Mount



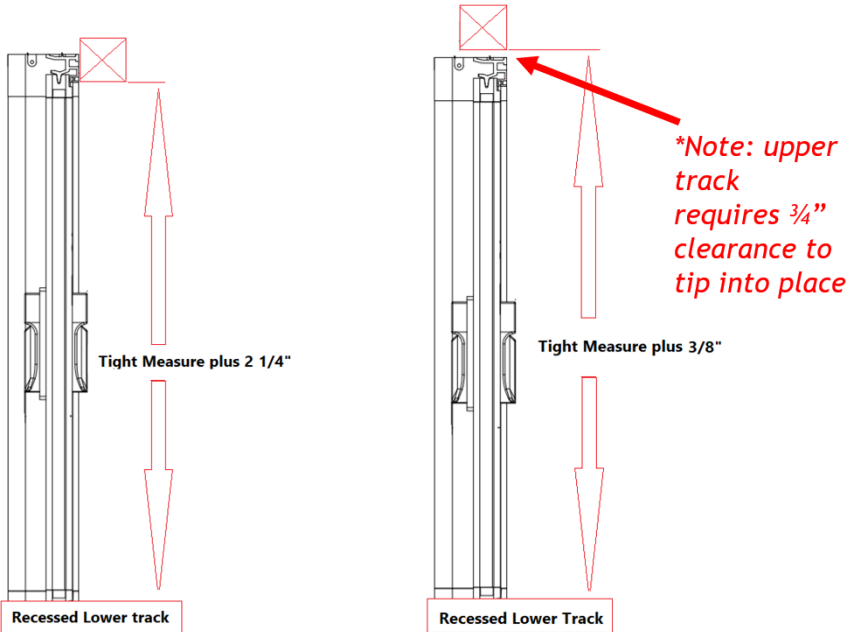
Applications	Deduction/Addition
Upper Track - Surface Mount	+ 1 1/8"
Upper Track - Under-Header	- 1/8"
Upper and Lower Tracks - Surface Mount	+ 2 1/4"

Recessed Lower Track

The determined measurements are different for a VistaView with a recessed lower track.

Upper Track - Surface Mount

Upper Track - Under-Header



Applications	Deduction/Addition
Upper Track - Surface Mount	+ 2 1/4"
Upper Track - Under-Header	+ 3/8"

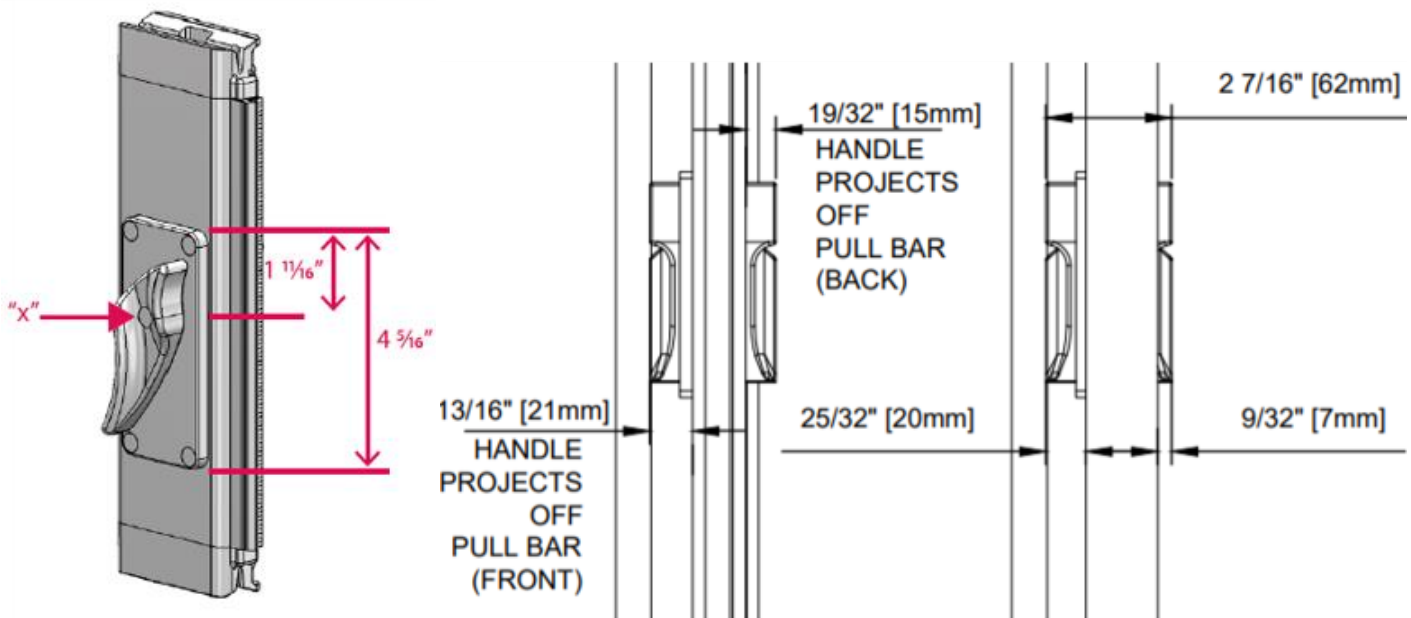
The installer **does not need to calculate anything beyond this** in regards to the *final height measurement* for ordering.

4. Component Dimensions

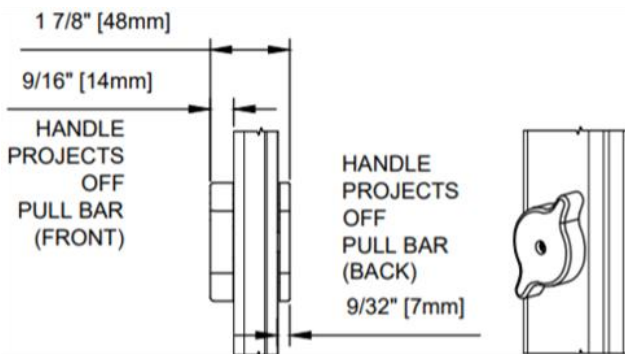
Handles

Handle height is measured from bottom of unit to “x”.

Standard Handle



Low-profile Handle



On corner systems, the *handles* are **offset in height 4 ½"**.



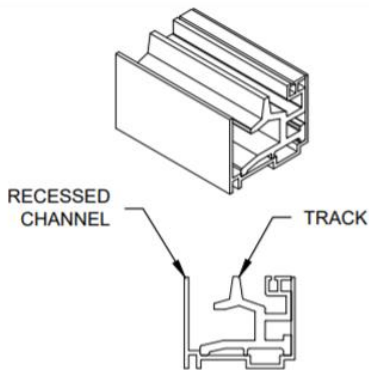
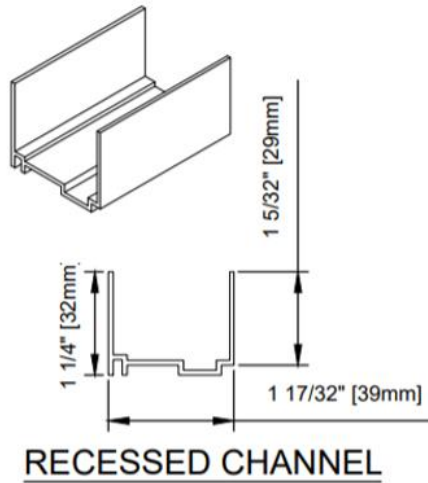
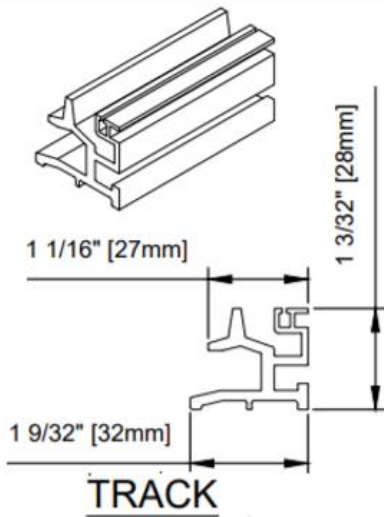
The standard *handle height* is **4" below center of pull bar**.

The *handle height* may instead be ordered at a **custom height**, including **center**.

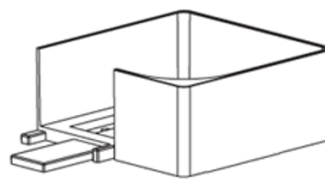
Handle heights are required for ordering.

***NOTE:** Ensure the VistaView *handle* will be able to clear existing door hardware if necessary.

Tracks and Recessed Channels

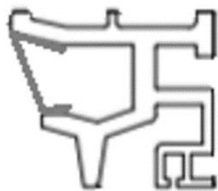


TRACK IN RECESSED CHANNEL



- 60mm - 2 1/2" wide x 1 1/4" tall
- 70mm - 2 7/8" wide x 1 1/4" tall
- 80mm - 3 1/4" wide x 1 1/4" tall

Recessed cups

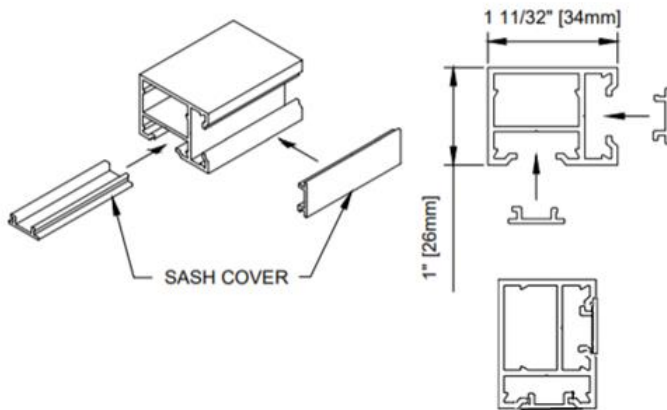


TRACK SCREW COVER

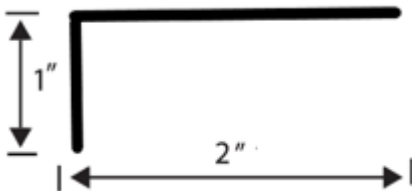
***NOTE:** For exterior applications, *Recess Channel*, *Recessed Cups*, and *Tracks* are not waterproof. Water egress is the responsibility of the general contractor or builder.

Box Channel

Box Channel helps accommodate installation for more complex configurations. Fasten it into place and then the VistaView component(s) to it. The *sash covers* conceal the screws.



L Flap



5. Other Considerations

Concealing

The VistaView *housing* and *upper track* can be concealed. Be sure they can be removed easily in the event the screen requires servicing. Do not embed the upper track into the header. It is the responsibility of the builder to develop removable trim work.

Exterior Applications

If *lower tracks* are mounted on top of the threshold on the exterior where it is exposed to weather, it is recommended that **weep holes be drilled through the tracks** - see installation instructions for details. *Lower track* pilot holes should be applied with dabs of **silicone sealant** before the screws are fastened.