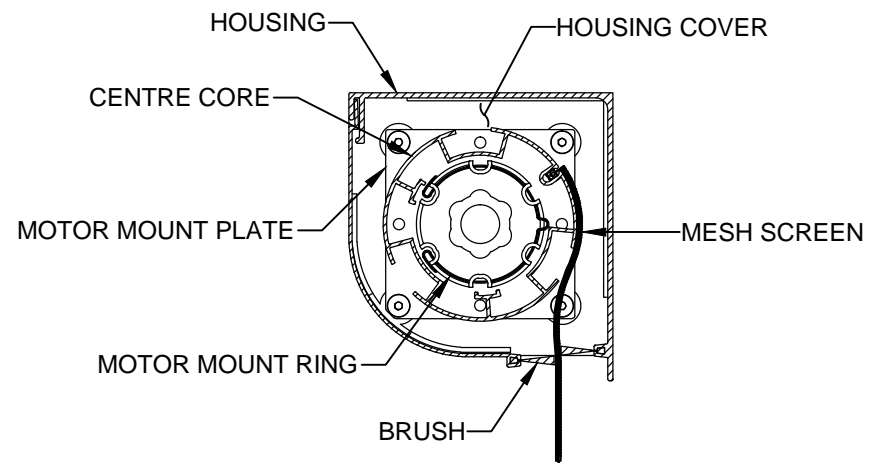
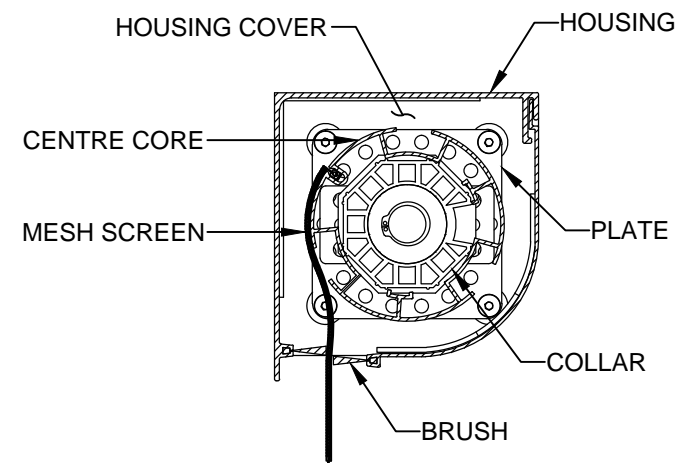


SCREEN ASSEMBLY
SCALE: 3" = 1'-0"



SECTION VIEW A
SCALE: 3" = 1'-0"



SECTION VIEW B
SCALE: 3" = 1'-0"



WIZARD INDUSTRIES INC.
4263 PHILLIPS AVENUE
BURNABY, BC
V5A 2X4

**MOTORIZED RETRACTABLE
WALL SCREEN DETAILS**

SCALE:
AS SHOWN
DATE:
AUG. 03 2018
DWG:
MS-001