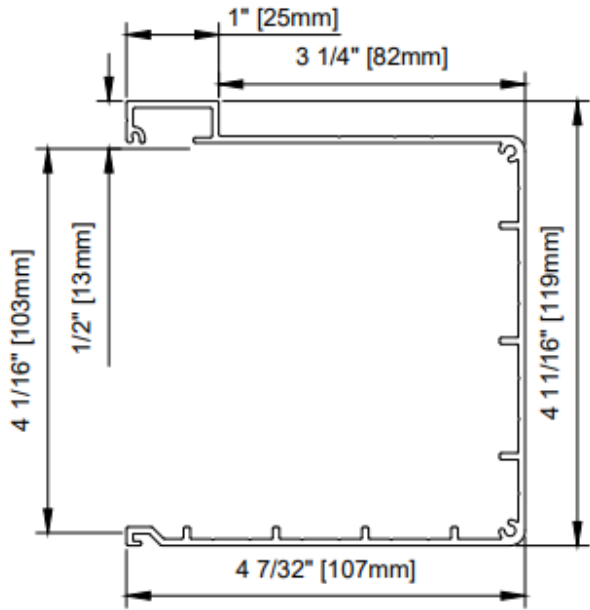




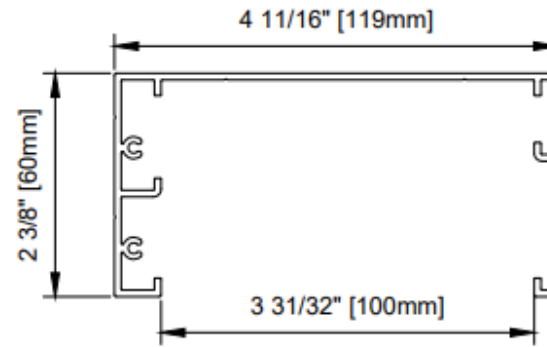
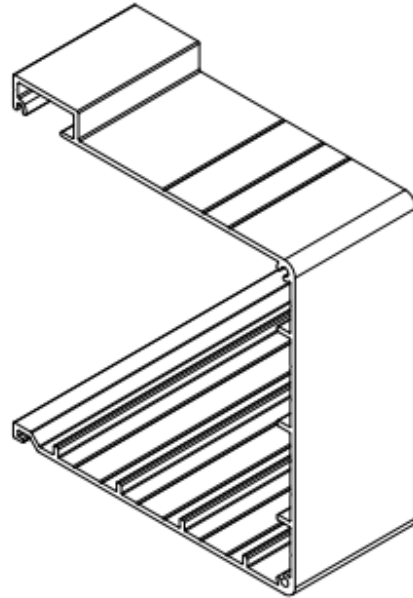
100mm **FRAME** Order Measurements

1. The FRAME components will come with extra length.
It is the responsibility of the installer to cut and fit the frame components as desired.
2. The architect and builder *must* account for a **minimum ½” shim space** beside concealed jamb(s) *and* above concealed header.
3. The “Horizon Integrated Screen” may only be ordered **after** the frame is installed.



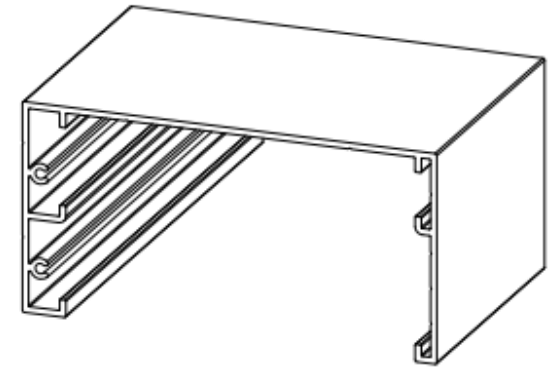
CONCEALED JAMB

SCALE: 6"=1'0"



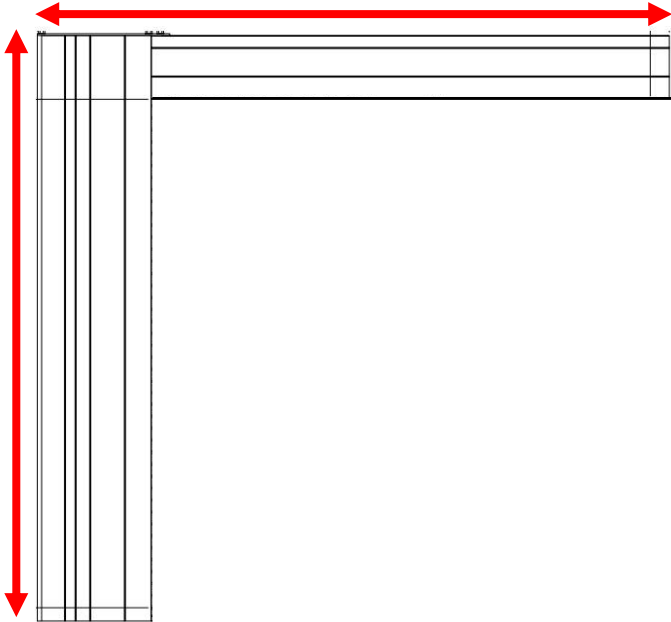
CONCEALED HEADER

SCALE: 6"=1'0"

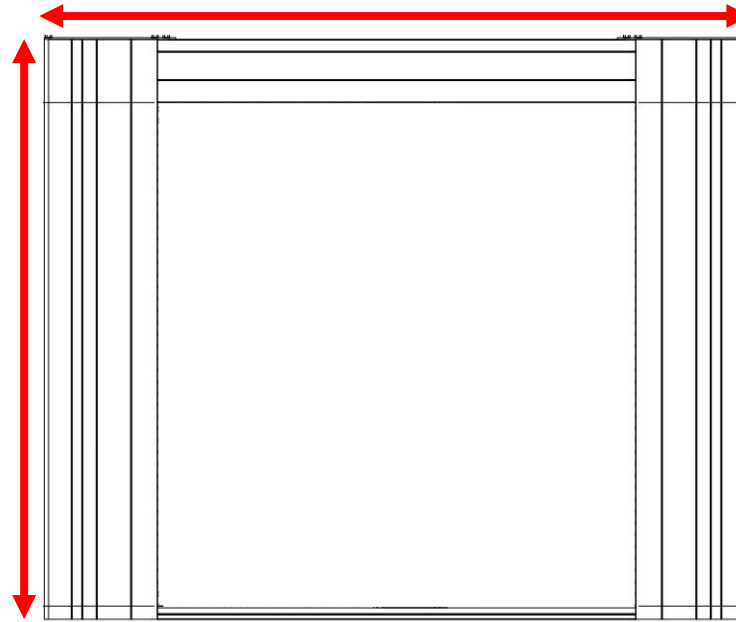


Step 1: Determine Configuration

2-Sided Frame
Single Screen



3-Sided Frame
Single or Double Screen



Step 2: Determine **overall dimensions** and round **UP** to nearest **INCH**

Step 3: Record **FRAME** Width & Height to order