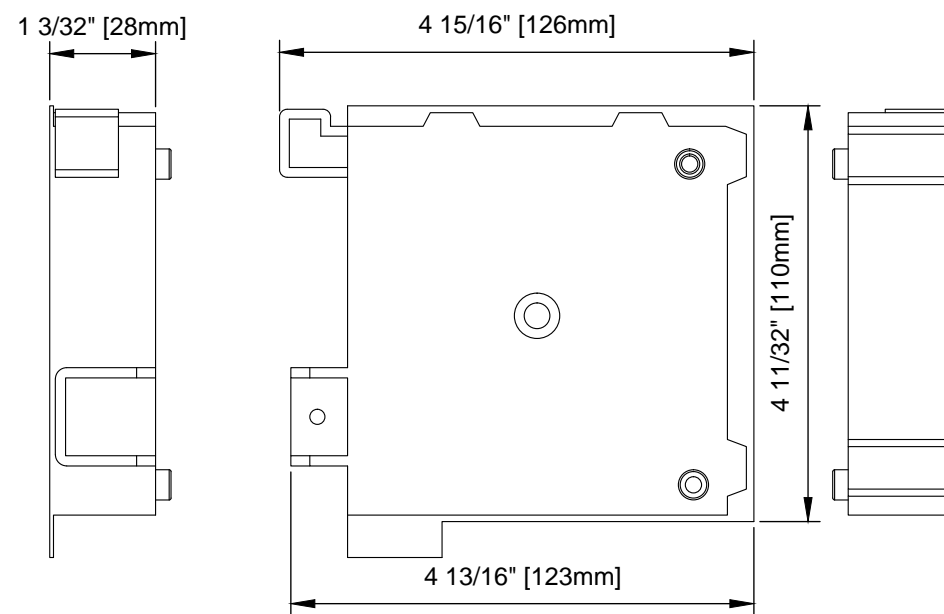
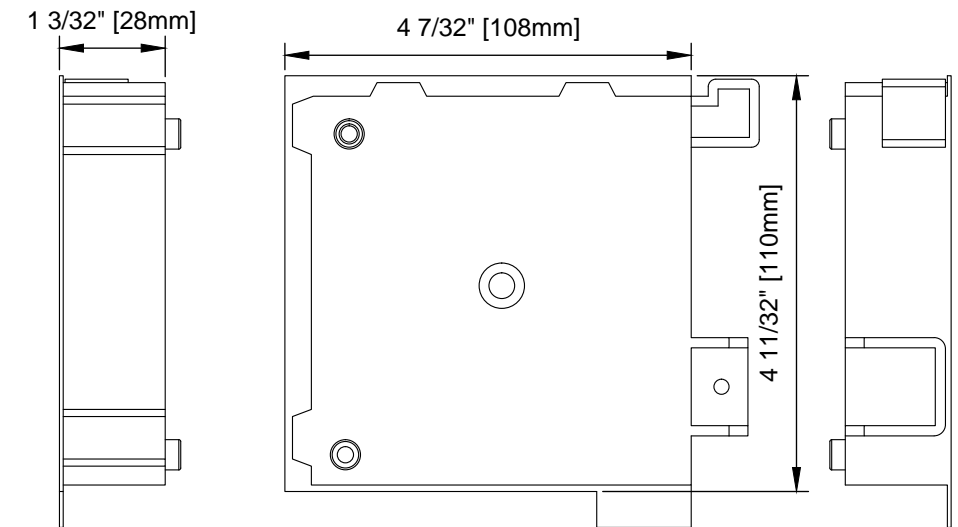


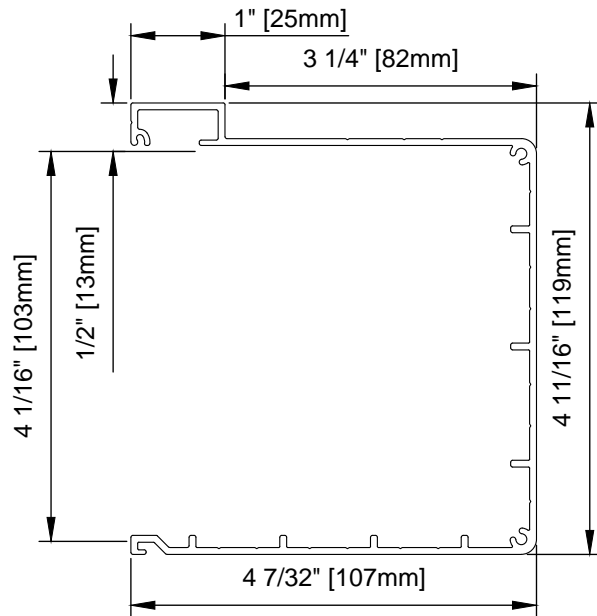
**CONCEALED TOP PLATE**  
SCALE: 6"=1'0"



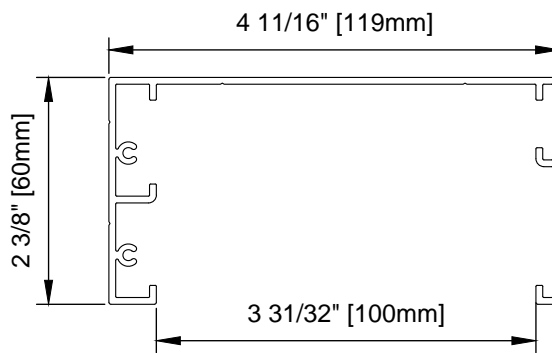
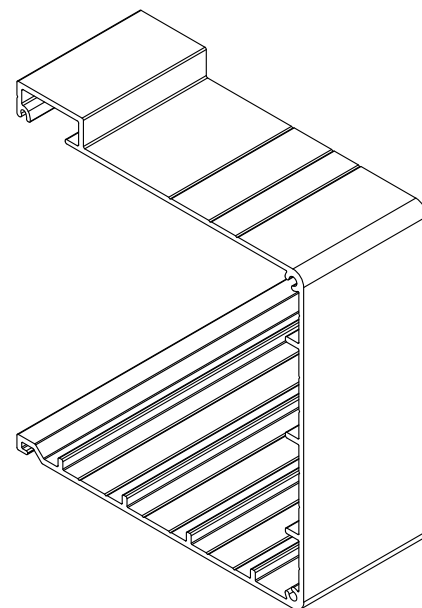
**CONCEALED BASE PLATE (LEFT)**  
SCALE: 6"=1'0"



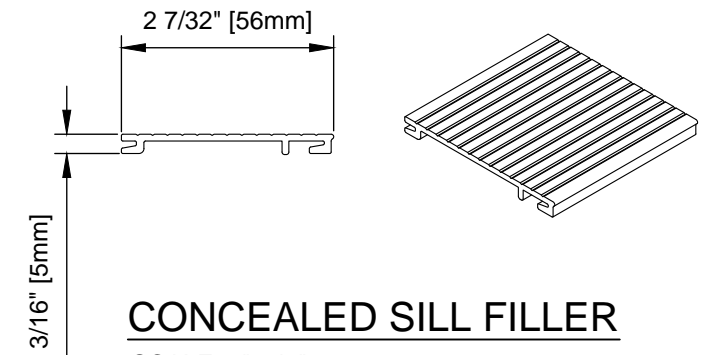
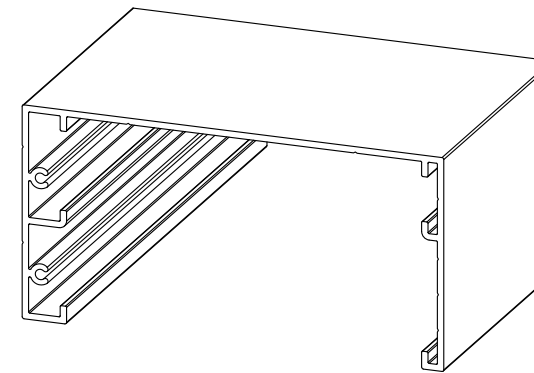
**CONCEALED BASE PLATE (RIGHT)**  
SCALE: 6"=1'0"



**CONCEALED JAMB**  
SCALE: 6"=1'0"



**CONCEALED HEADER**  
SCALE: 6"=1'0"



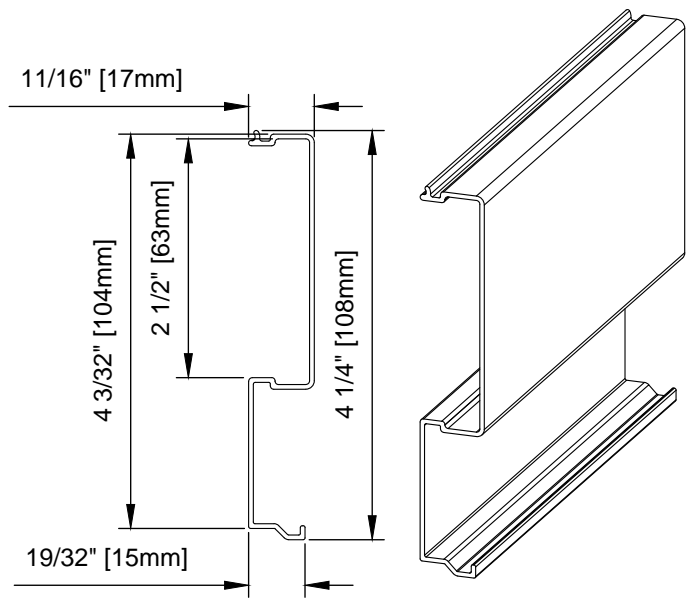
**CONCEALED SILL FILLER**  
SCALE: 6"=1'0"



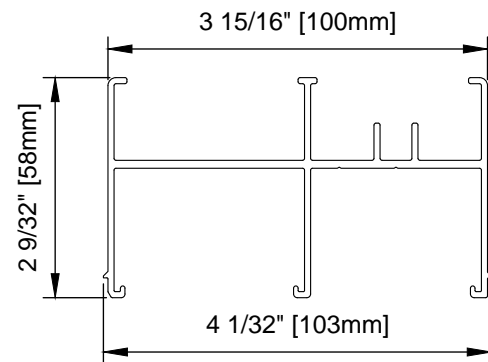
**WIZARD INDUSTRIES INC.**  
4263 PHILLIPS AVENUE  
BURNABY, BC  
V5A 2X4

**100mm INTEGRATED UNIT**  
PART DETAILS - SHT 1 OF 3

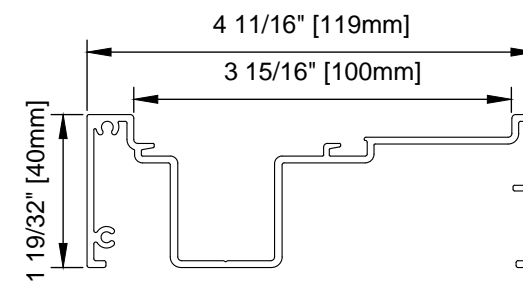
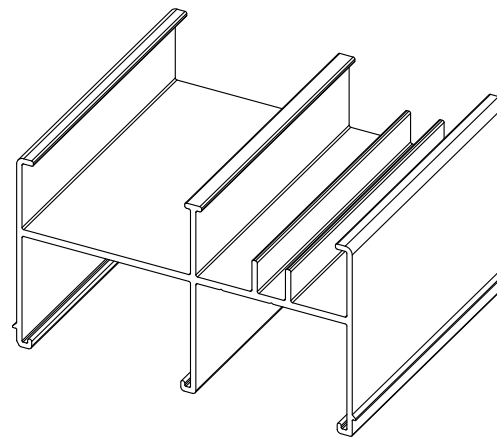
SCALE:  
AS SHOWN  
DATE:  
FEB 4 2020  
DWG:  
CU-002



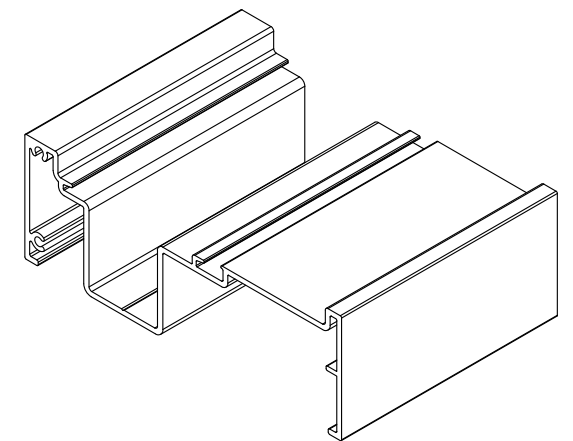
**CONCEALED JAMB FILLER**  
SCALE: 6"=1'0"

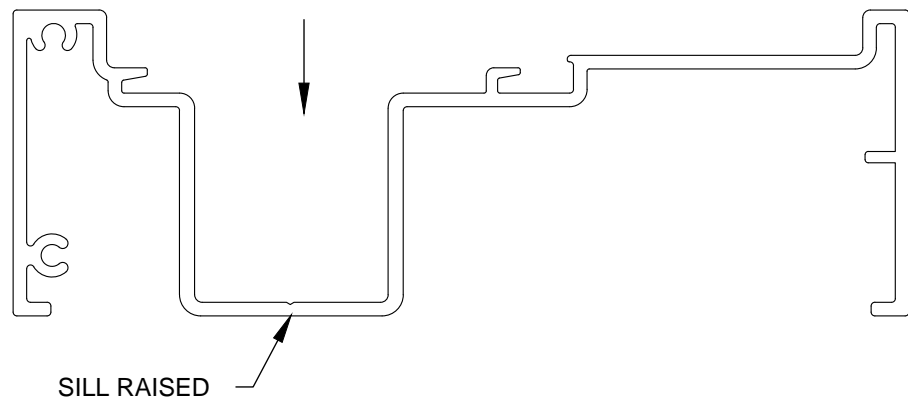
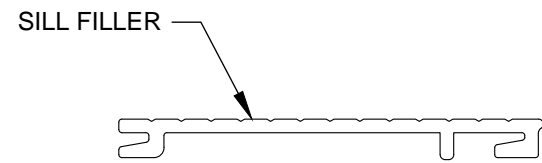
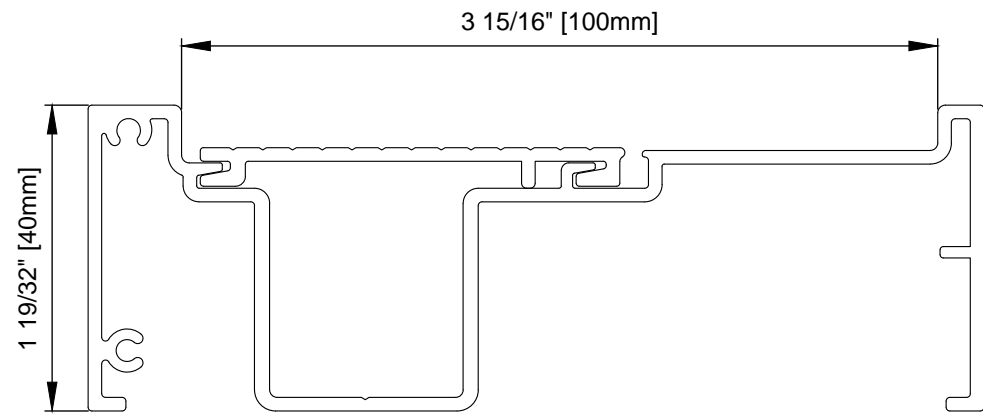


**CONCEALED HEADER INSERT**  
SCALE: 6"=1'0"

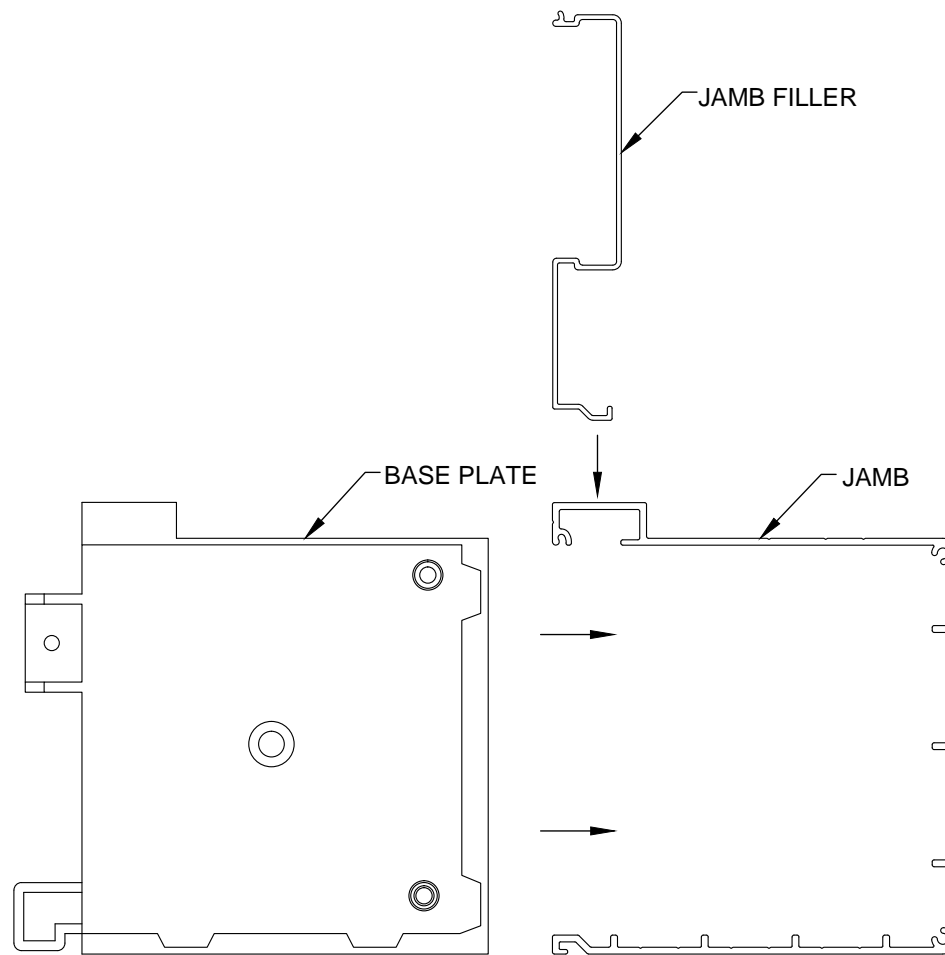
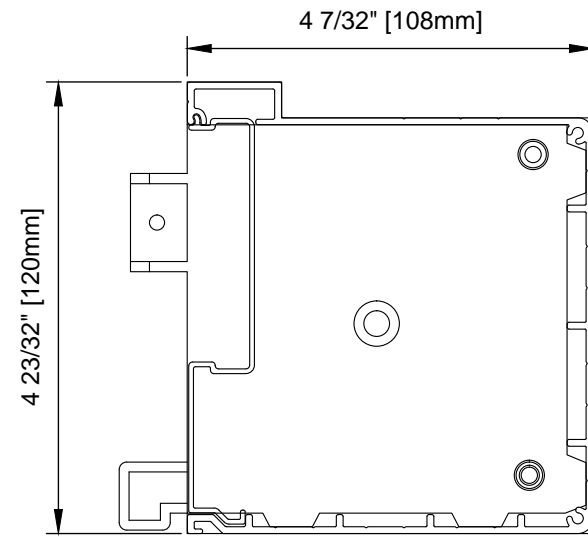


**CONCEALED SILL**  
SCALE: 6"=1'0"

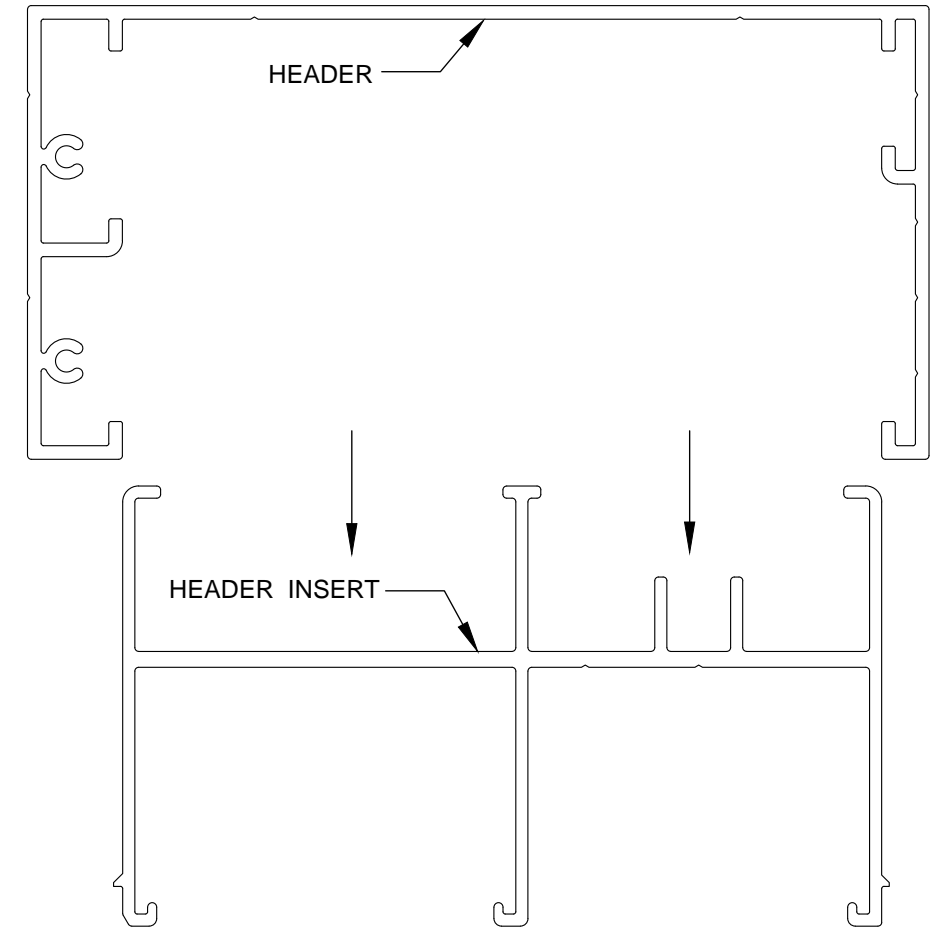
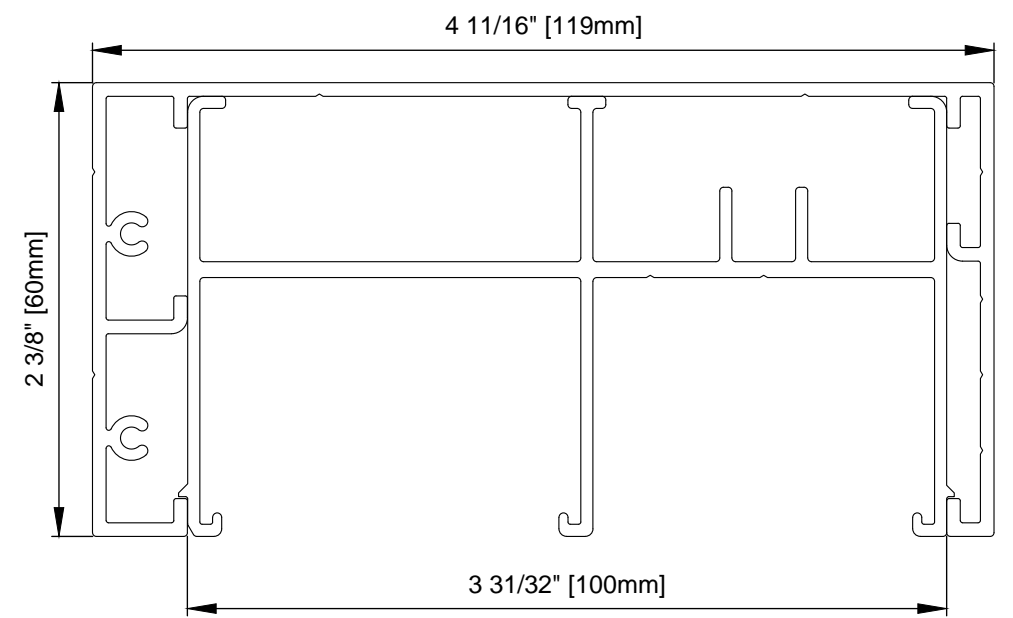




**DETAIL A - SILL**  
SCALE: 1" = 1'0"



**DETAIL B - JAMB**  
SCALE: 6" = 1'0"



**DETAIL C - HEADER**  
SCALE: 1" = 1'0"



**WIZARD INDUSTRIES INC.**  
4263 PHILLIPS AVENUE  
BURNABY, BC  
V5A 2X4

**100mm INTEGRATED UNIT**  
PART DETAILS - SHT 3 OF 3

SCALE:  
AS SHOWN  
DATE:  
FEB 4 2020  
DWG:  
CU-002