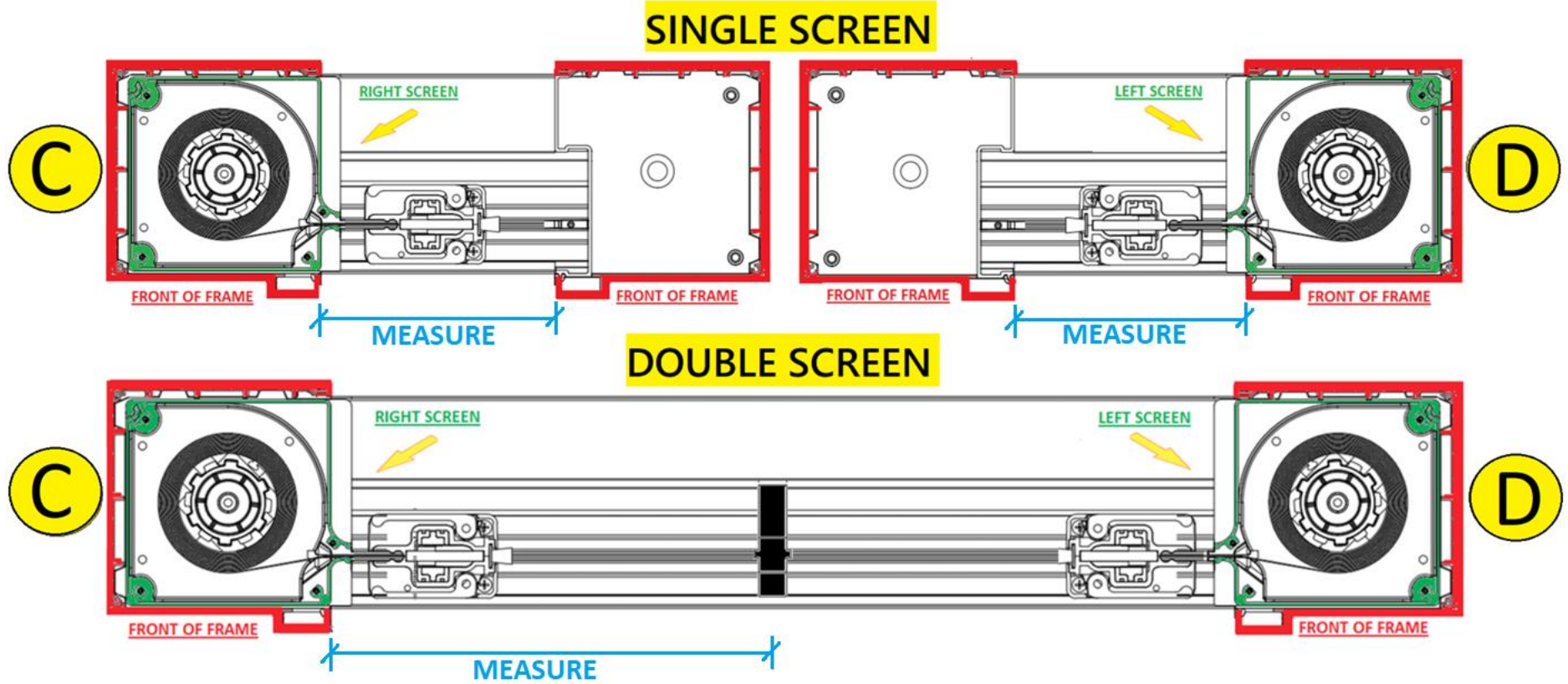




# 100mm **RESCREEN** Order Measurements

Step 1: Initial Measurement



**TOP VIEW**

Step 2: Determine Width

**MEASUREMENT** (Round **UP** to nearest **INCH**)

+ **5"**

= **Width**



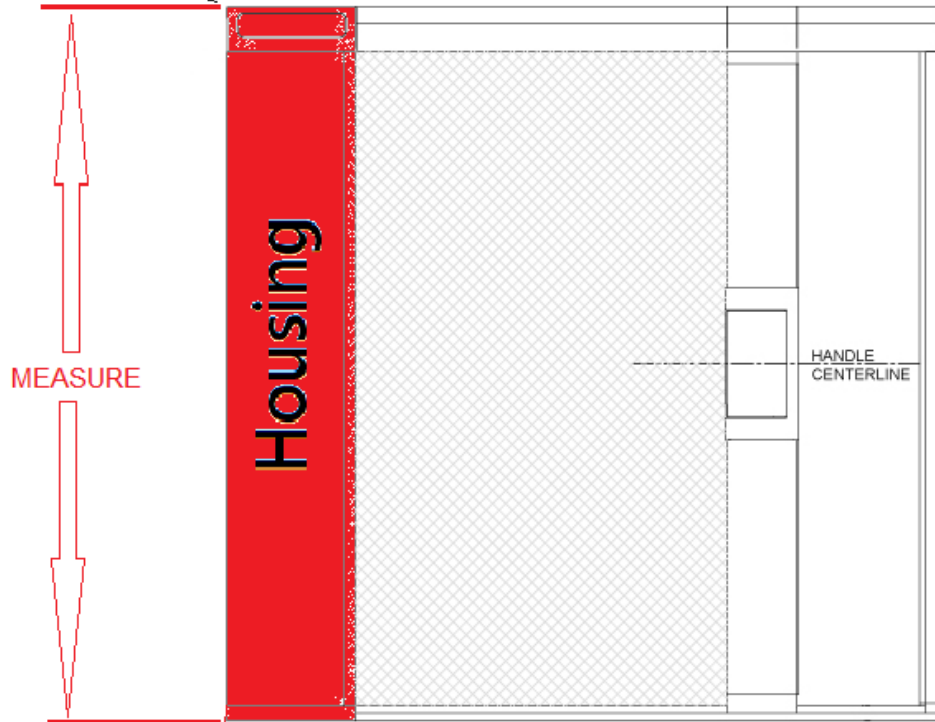
Step 3:

What is the width of the SYSTEM? \*

**Enter WIDTH**

Step 1: Measure the Housing Height (Round **UP** to nearest **1/16"**)

Housing Upper Endcap



FRONT ELEVATION

**(INTEGRATED FRAME NOT SHOWN)**

Housing Lower Endcap

Step 2:

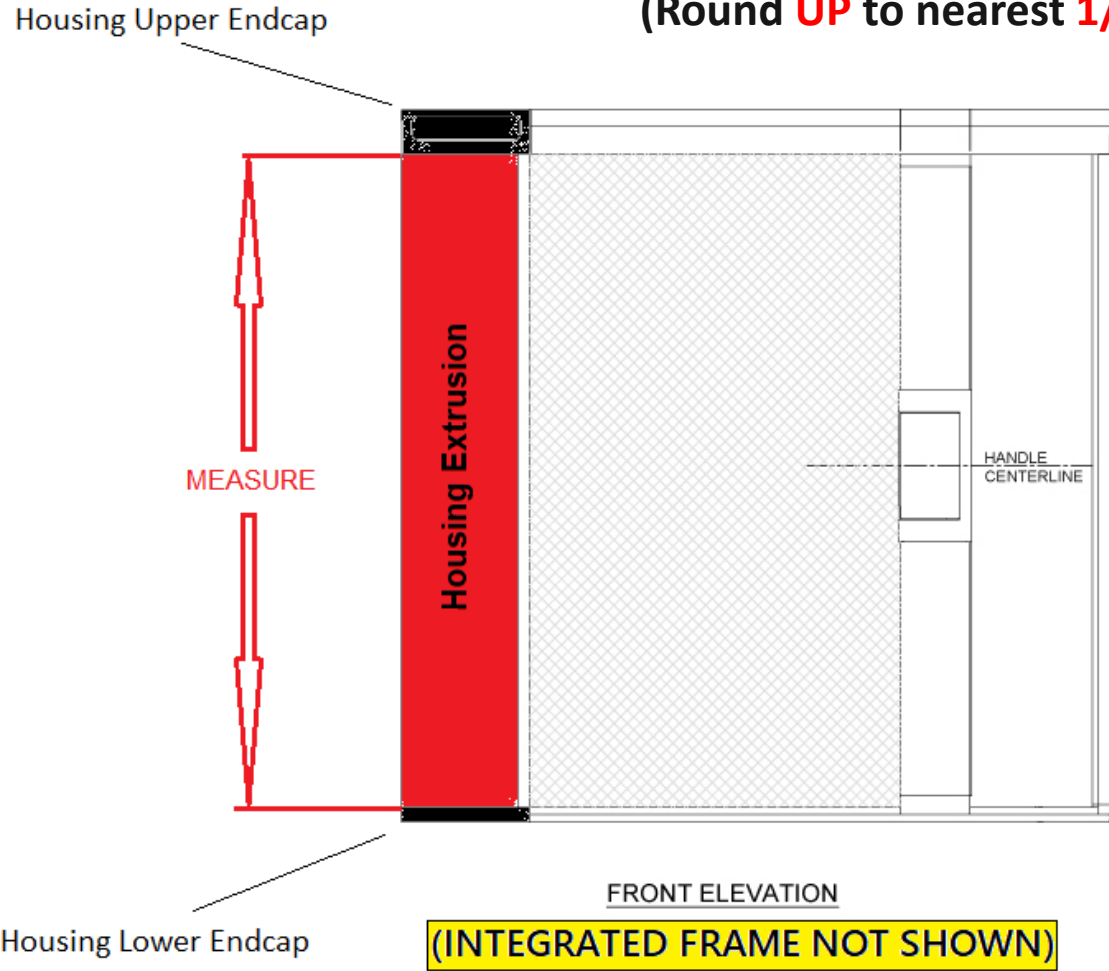
What is the height of the SYSTEM? \*

**Enter HEIGHT**

Fractions ▼

**OR**

**Step 1: Measure the Housing Extrusion Height**  
(Round **UP** to nearest **1/16"**)



**Step 2: Add endcap heights**

Housing Extrusion height

+  $1\frac{1}{2}$ " (upper endcap)

+  $\frac{1}{2}$ " (lower endcap)

= **Housing Height**

**Step 3:**

What is the height of the SYSTEM? \*

**Enter HEIGHT**

Fractions ▾