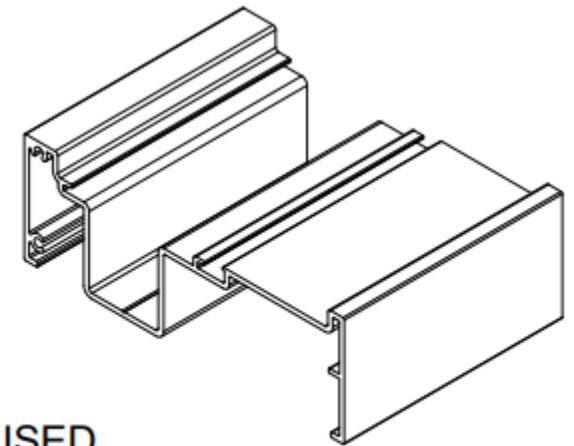
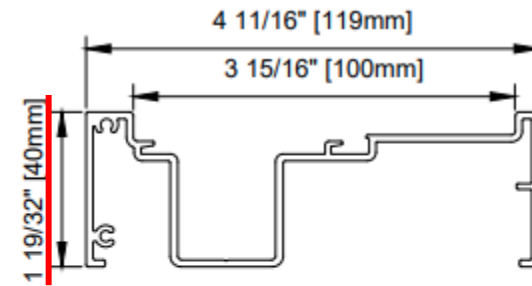
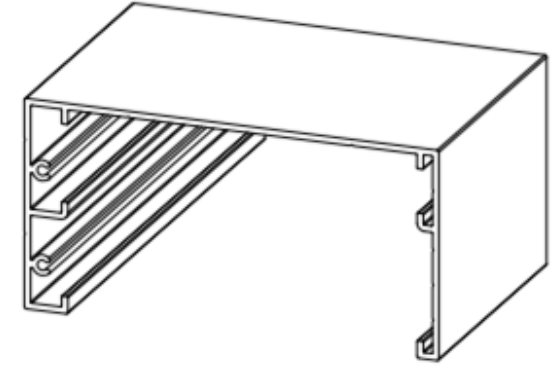
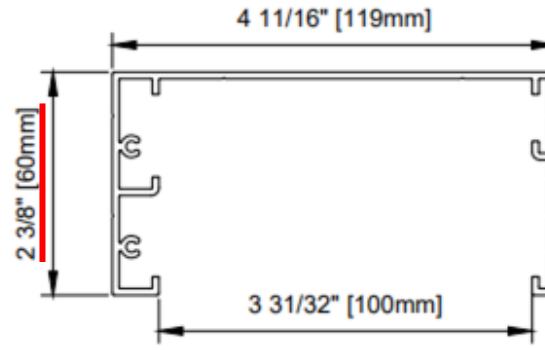
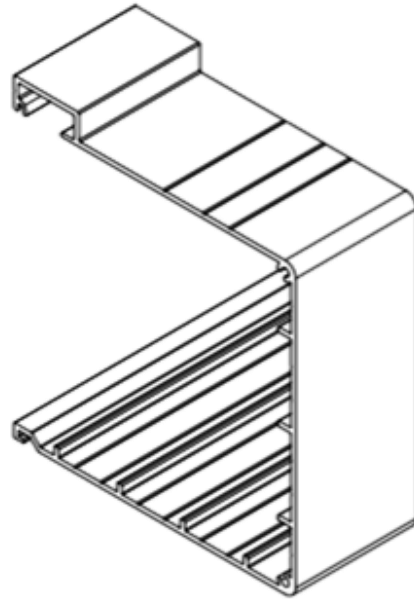
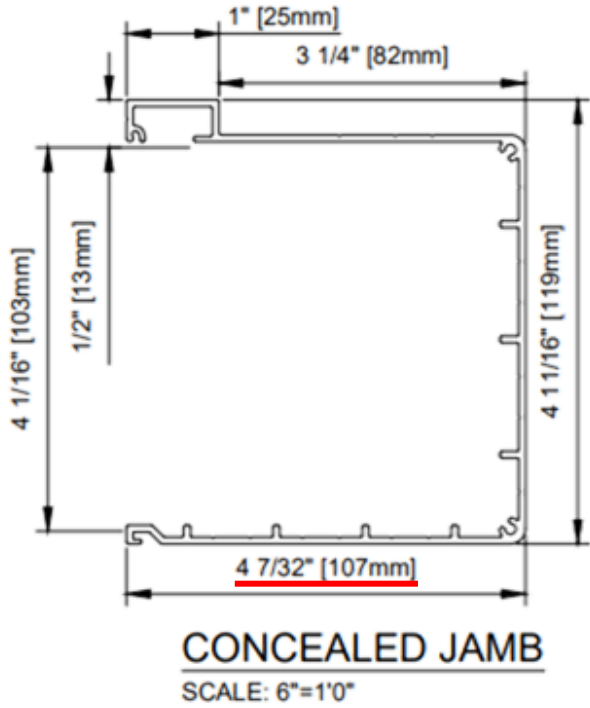




100mm **FRAME** Order Measurements

1. The FRAME components are cut precisely in-house.
It is the responsibility of the installer, architect, and builder to ensure frame is ordered to correct size.
2. The architect and builder *must* account for a minimum **1/4"** **shim space** beside concealed jamb(s) *and* above concealed header.



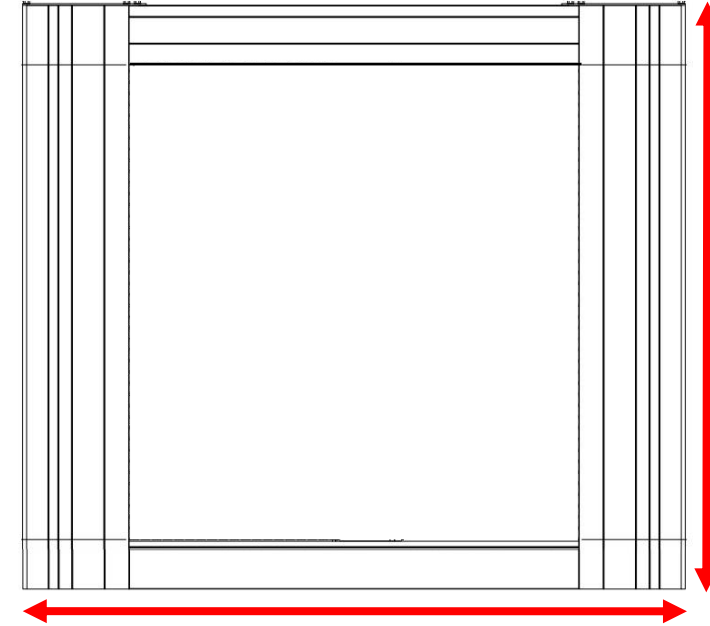
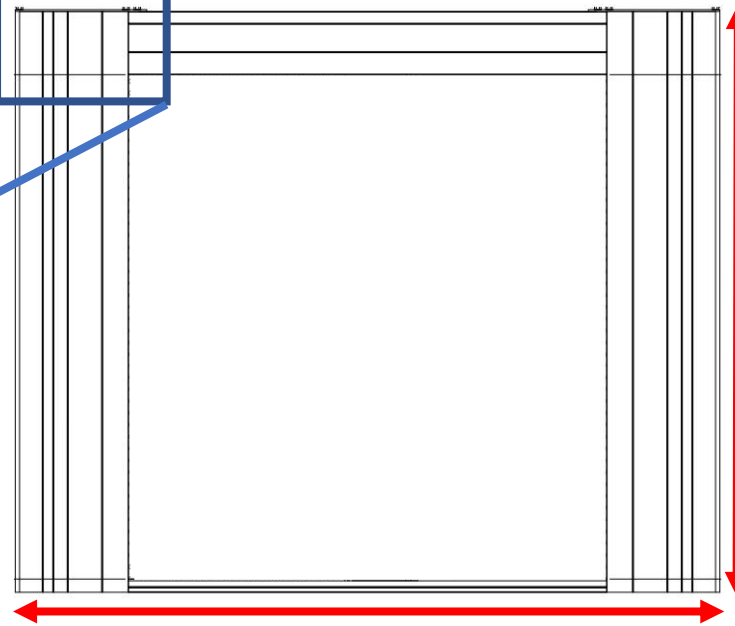
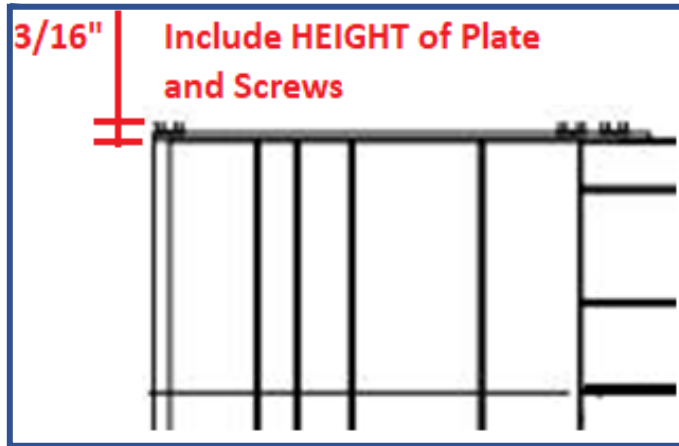
Step 1: Determine Configuration

3-Sided Frame

Single *or* Double Screen

4-Sided Frame

Single *or* Double Screen



Step 2: Determine **OUTSIDE** dimensions



Step 3: Record FRAME Width & Height to order