



100mm **SCREEN** Order Measurements

Step 1: Select Configuration

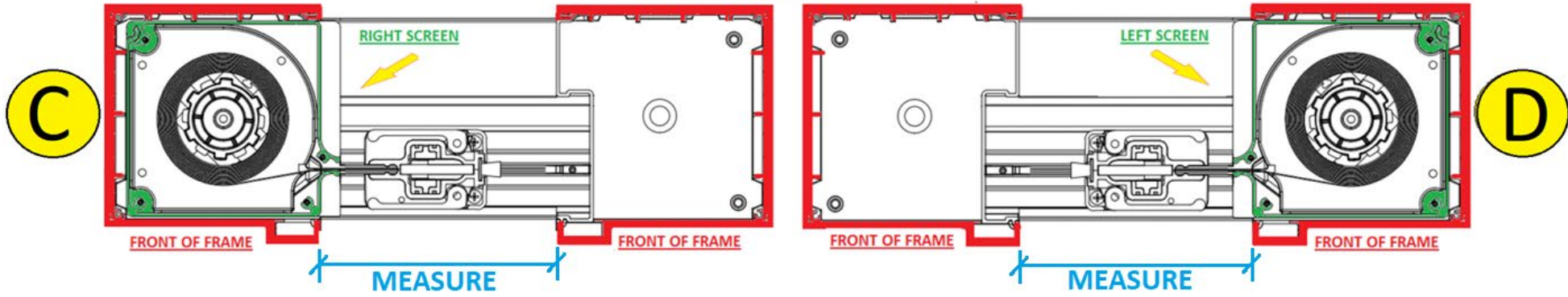
AERIAL VIEW

FRAME INSTALLED
Screen to fit existing Frame

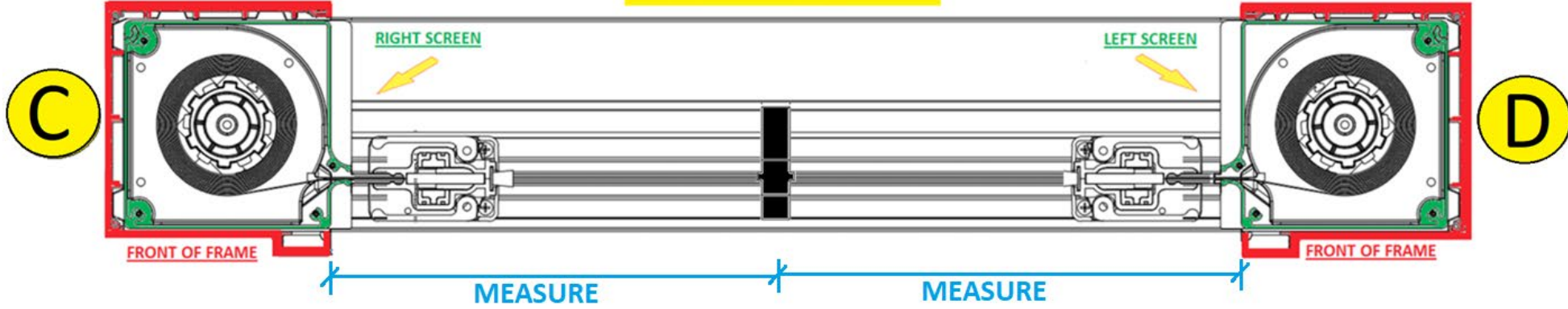
Step 2: Initial Width Measurement.

Measure as selected illustration shows and round **UP** to nearest **INCH**.

SINGLE SCREEN



DOUBLE SCREEN



Step 3: Record as SCREEN Width MEASURE

Step 4: Initial Height Measurement

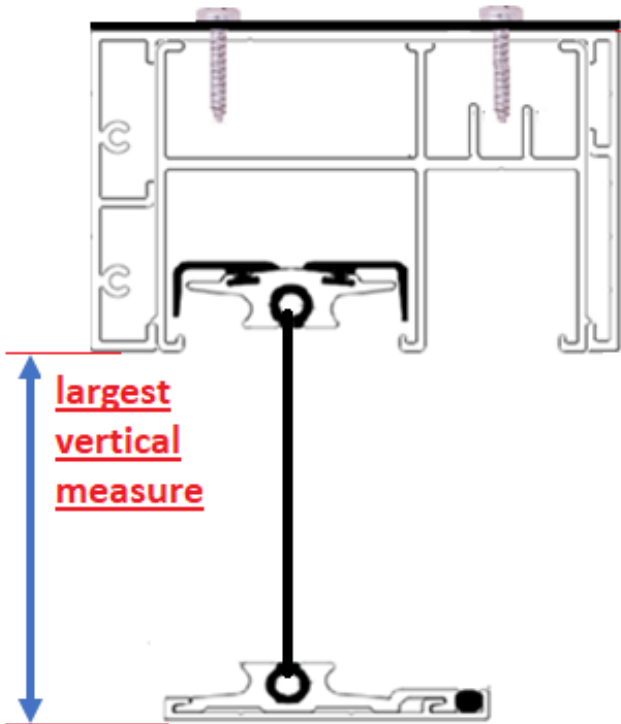
Measure in *multiple spots* to find largest vertical measurement and round **UP** to nearest **1/16"**.

CROSS-SECTION VIEW

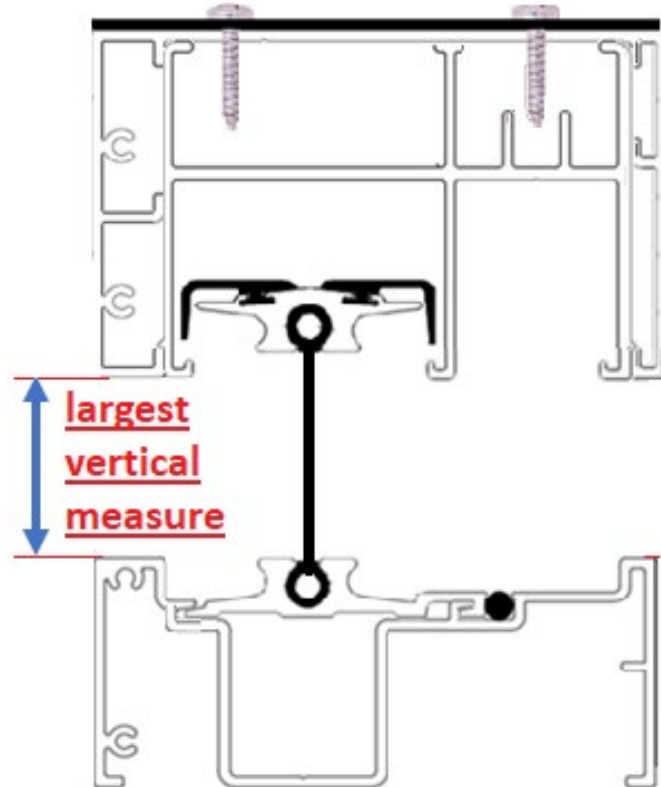
FRAME INSTALLED

Screen to fit existing Frame

3-Sided Frame



4-Sided Frame



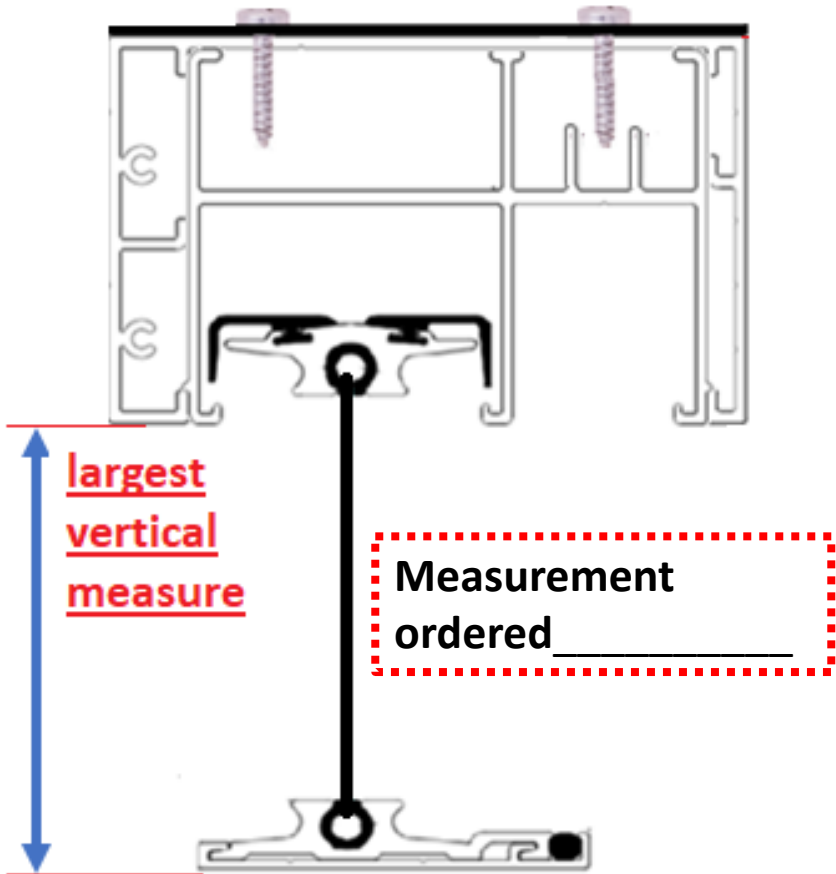
Step 5:
Record as **SCREEN**
Height Measure

Wizard will automatically calculate the *actual* SCREEN Width and Height

Details and specifications subject to change

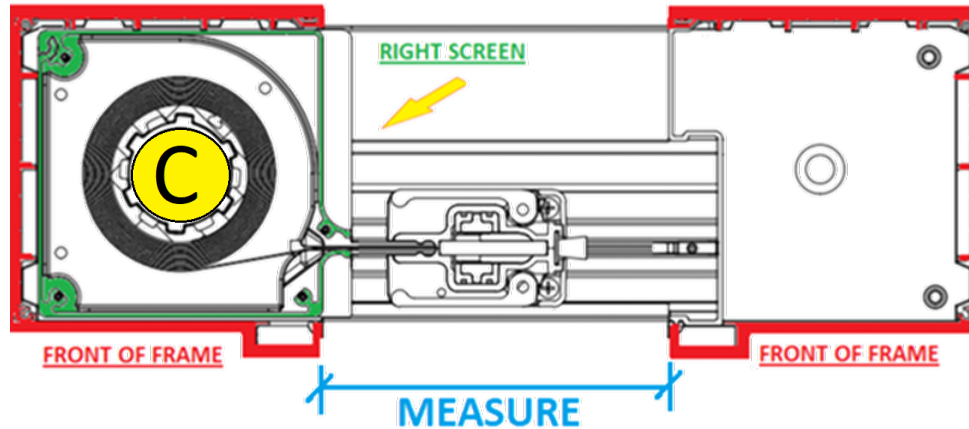
FRAME INSTALLED

1. Measure in *multiple spots* to find **largest vertical measurement** and **round UP** to nearest **1/16"**.



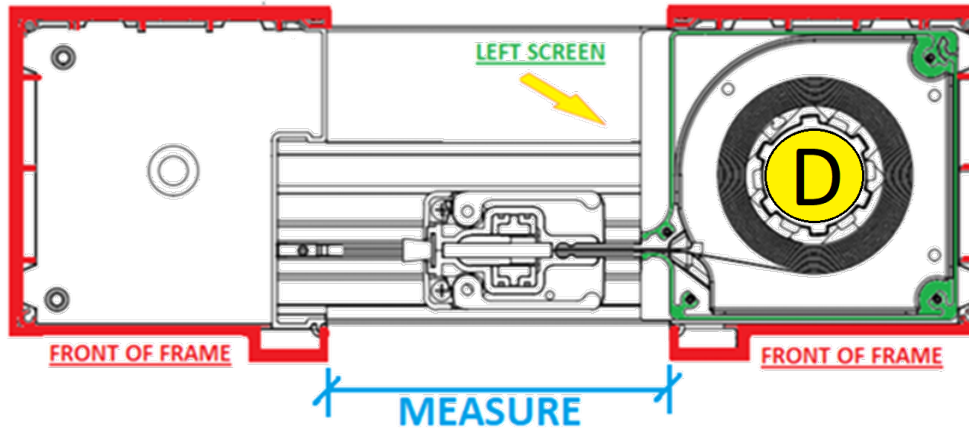
2. **MEASURE** as illustration shows and round **UP** to nearest **INCH**.

AERIAL VIEW



SIDE C
MEASUREMENT
ordered _____

OR



SIDE D
MEASUREMENT
ordered _____

Quote # _____

Dealer Name _____

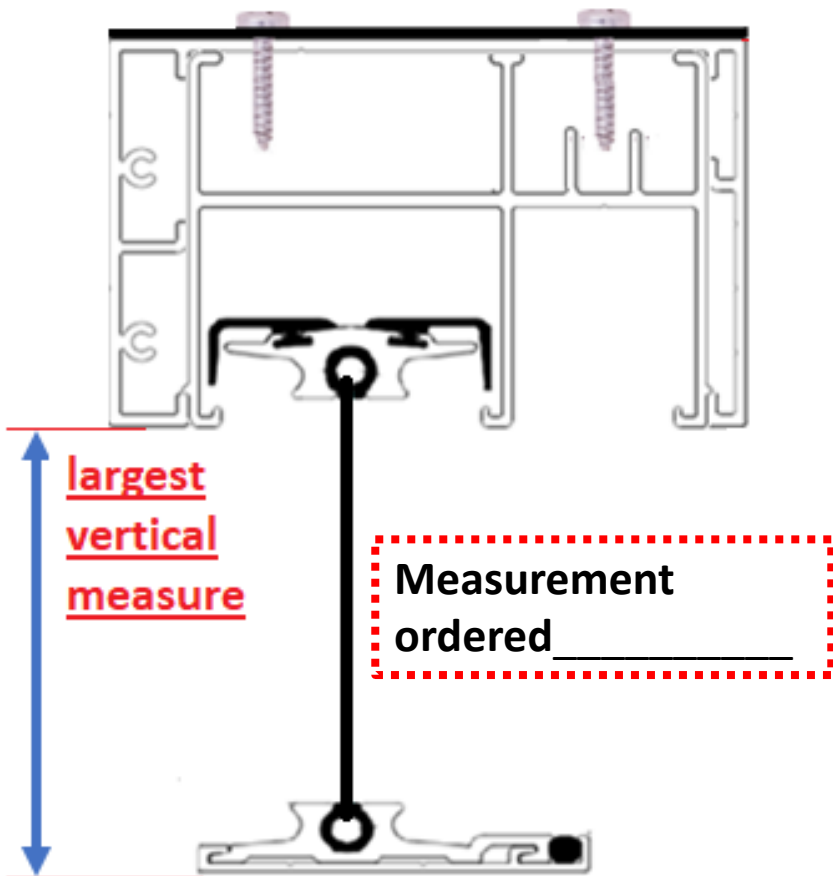
Signature _____

Date _____

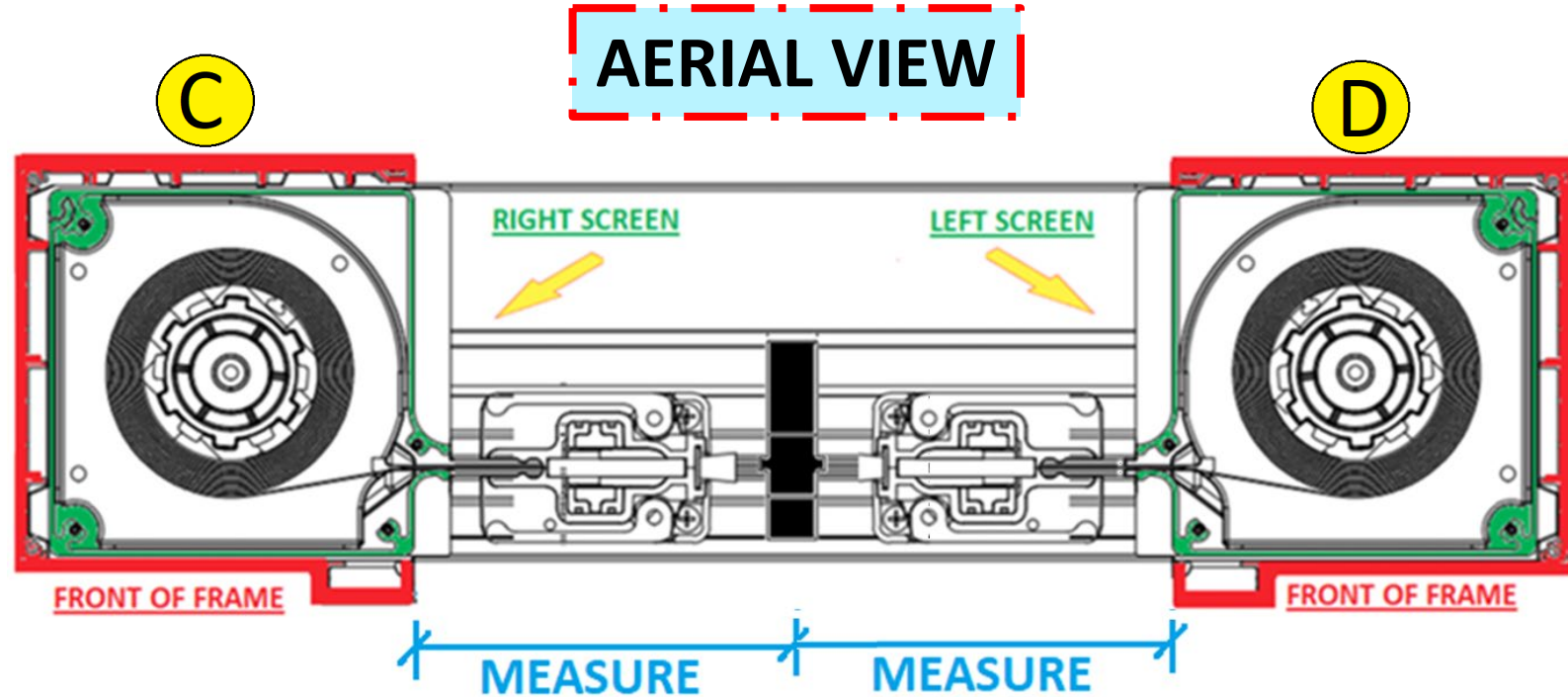
Details and specifications subject to change

FRAME INSTALLED

1. Measure in *multiple spots* to find **largest vertical measurement** and **round UP** to nearest **1/16"**.



2. **MEASURE** to desired joint location as illustration shows and round **UP** to nearest **INCH**.



Quote # _____

Dealer Name _____

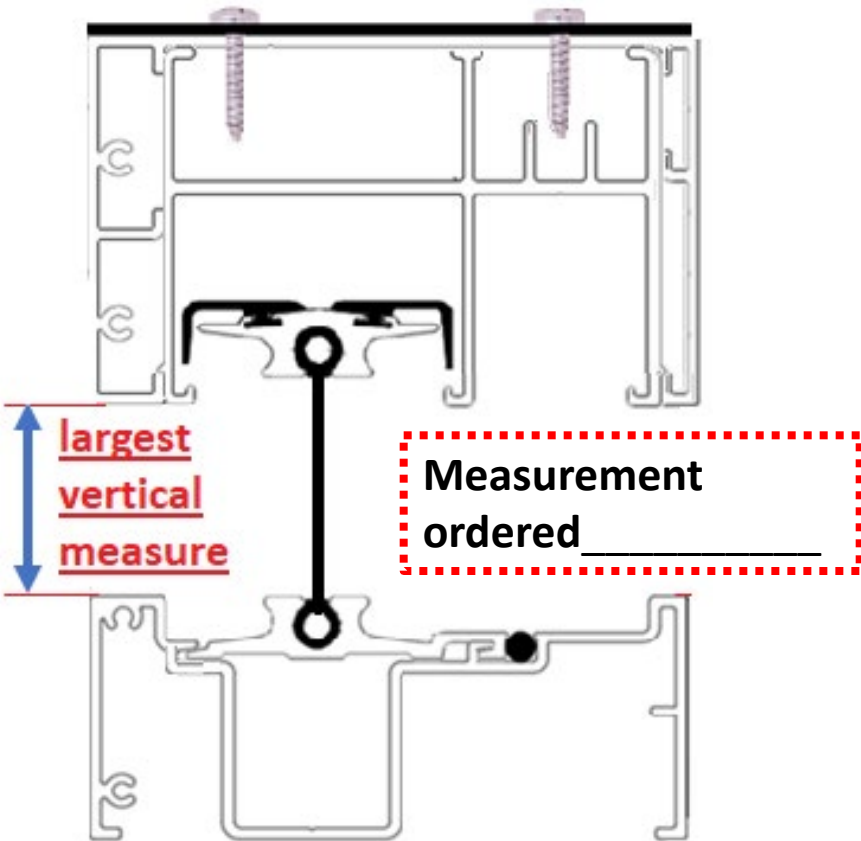
Signature _____

Date _____

Details and specifications subject to change

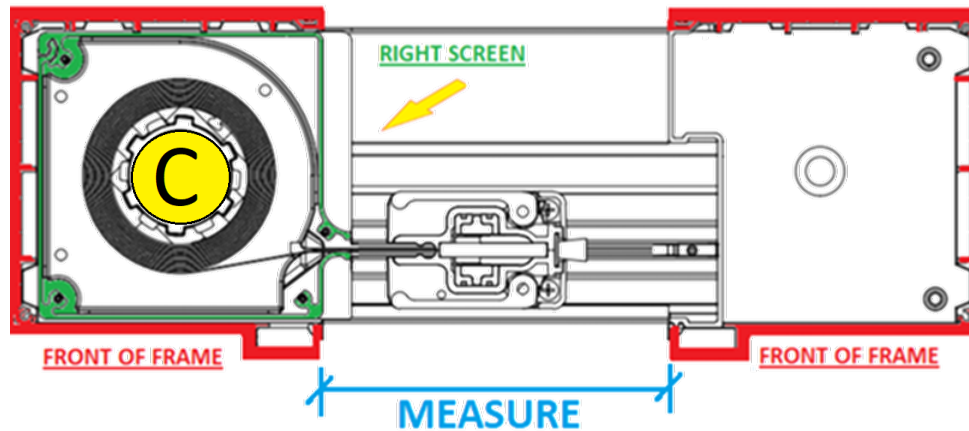
FRAME INSTALLED

1. Measure in *multiple spots* to find largest vertical measurement and round UP to nearest 1/16".



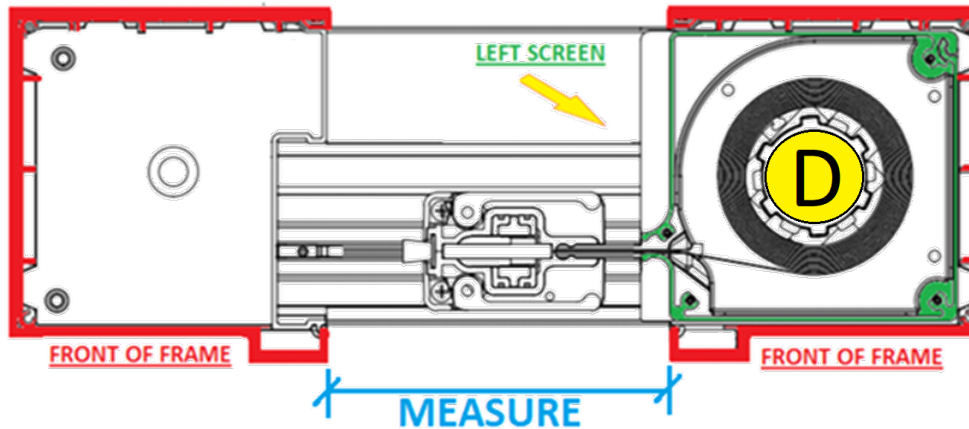
2. **MEASURE** as illustration shows and round **UP** to nearest **INCH**.

AERIAL VIEW



SIDE C
MEASUREMENT
ordered _____

OR



SIDE D
MEASUREMENT
ordered _____

Quote # _____

Dealer Name _____

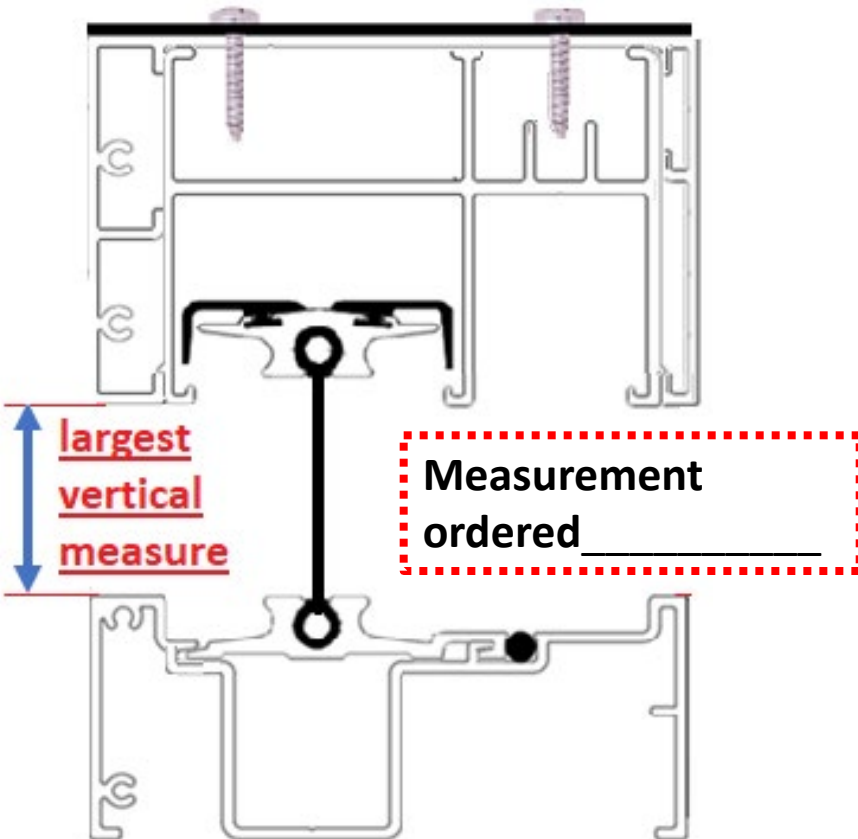
Signature _____

Date _____

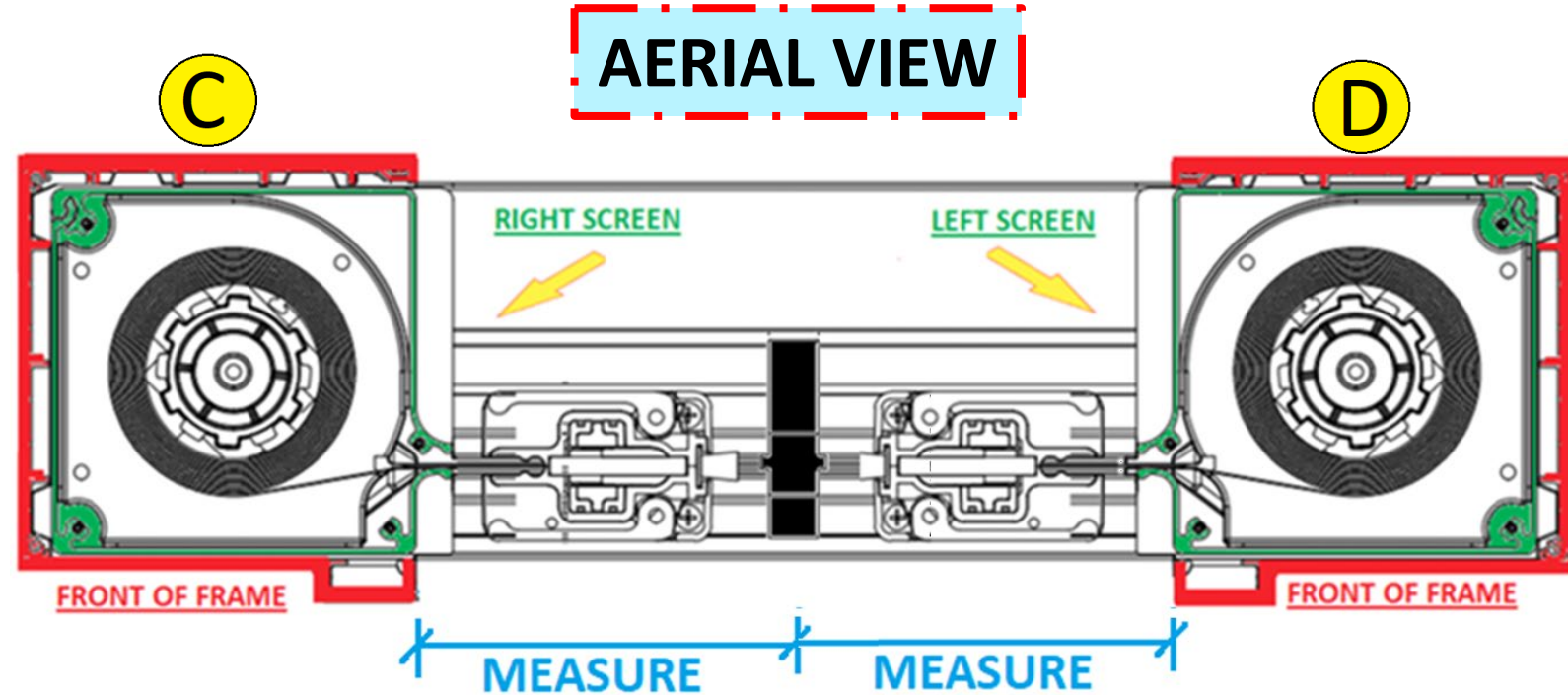
Details and specifications subject to change

FRAME INSTALLED

1. Measure in *multiple spots* to find largest vertical measurement and round UP to nearest 1/16".



2. **MEASURE** to desired joint location as illustration shows and round **UP** to nearest **INCH**.



<p>SIDE C</p> <p>MEASUREMENT</p> <p>ordered _____</p>	<p>OVERALL</p> <p>MEASUREMENT</p> <p>ordered _____</p>	<p>SIDE D</p> <p>MEASUREMENT</p> <p>ordered _____</p>
---	--	---