

# Getting to Know



Manufacturing retractable screens since 1999.

At Wizard we are committed to providing the widest range of retractable wall screens for large openings.

Our systems are designed to work with:

- Swinging doors
- Folding doors
- Stacking doors
- Lift and slide doors
- Patio doors
- French Doors
- Pocketing doors
- Outdoor living spaces and enclosures
- Living areas
- Decks

- All of our Horizon wall screens are thoughtfully designed to provide a contemporary look, simplicity in use and to ensure reliable, superior performance
- Engineered for BIG openings
- Designed without cables, pullies or plastic latches
- This Superior performance is achieved by incorporating high-quality materials and components engineered specifically for our wall screens, our 4-sided captured edge technology on the mesh helps prevent unsightly sags and expensive blow-outs
- Simplicity of use is ensured with the automatic braking system
- The beauty of your panoramic view is maintained with the pleat-less mesh we use in all our systems
- VistaView and Horizon screen systems can be manufactured as single screens, double screens, internal or external corners, or custom configurations offset from center
- We offer a wide range of specialty mesh depending on the needs
- Color options

## The Horizon



## Horizon Application Overview

- Two Housing options: 80mm (3 1/8") and 100mm (4")
- Single widths up to: 80mm 168"x132" and 100mm 252"x132"
- Double widths up to: 80mm 336"x132" and 100mm 504"x132"
- Corner: Internal and External post-less 90° with handles at the same heights
- Concealed considerations require access for servicing, recommend removable panels
- Flush Handle, height is center or 4" below (measured to the center of the handle)
- Floating upper track with a Low Profile stepped 1/2" lower track
- Lubricate the tracks with Dry Silicon
- 80mm Housings are Squared
- 100mm Housings are Squared or Curved
- Fasteners can be hidden for Housings and Tracks

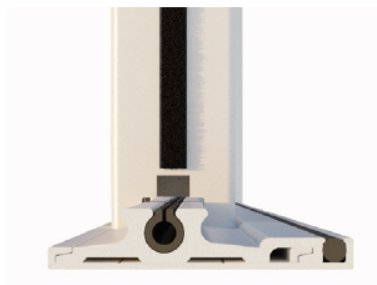
## Horizon Application Overview

### New Flush Handle



#### **Auto-Stop**

Homeowners gain full control with the convenience of unlimited stopping points. Automatically stops when the handle is released.



#### **Low Profile Track**

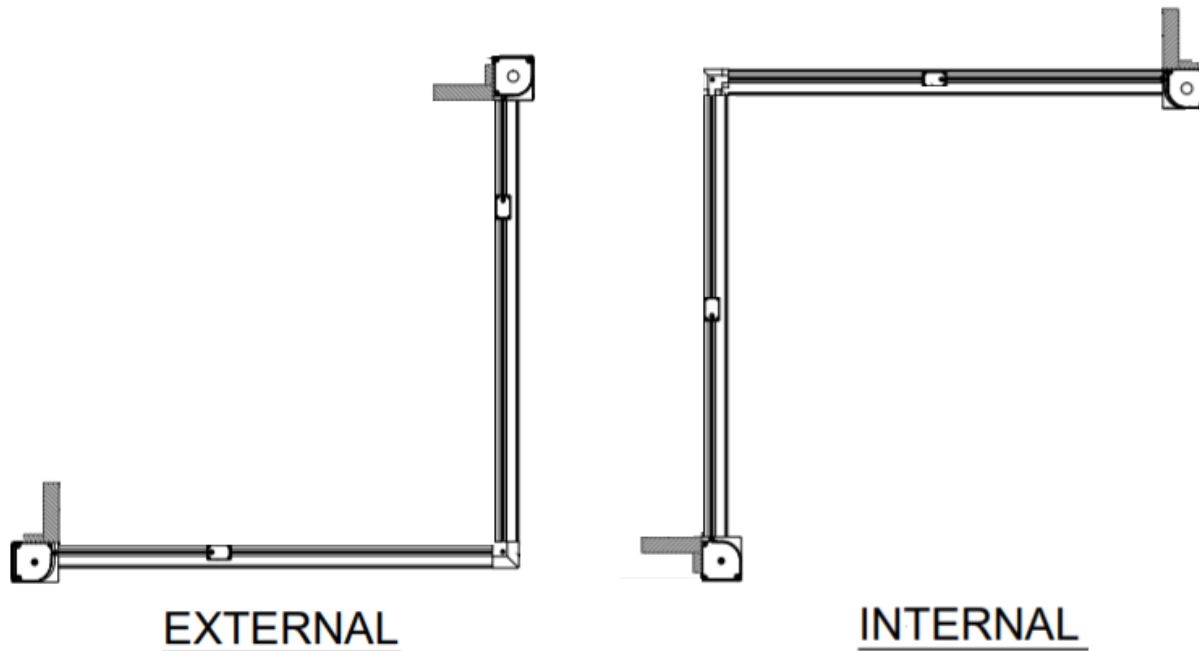
At only ½" tall, the lower track blends seamlessly into every application, it's designed for simple installation, creating a smooth transition.



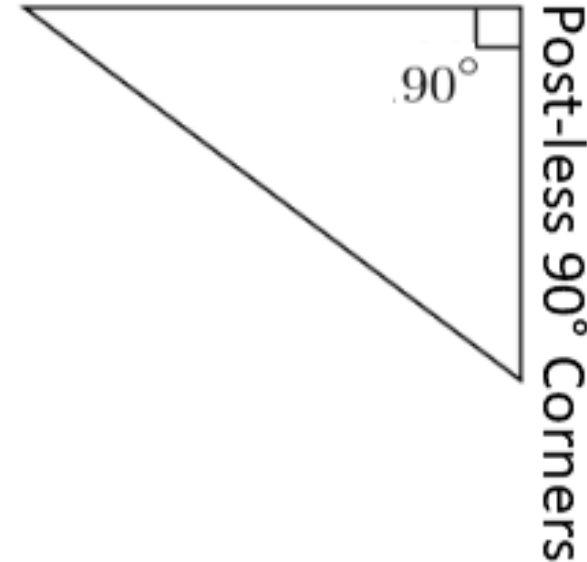
#### **Floating Track**

Our unique floating upper track is concealed by an integrated fascia, has no visible fasteners and provides automatic compensation across the entire opening.

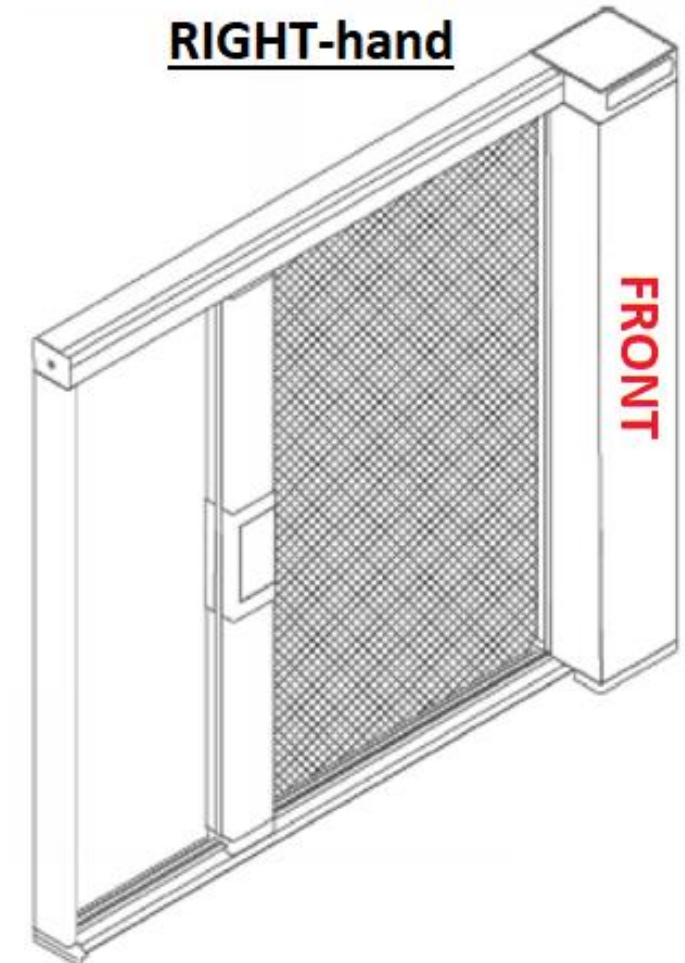
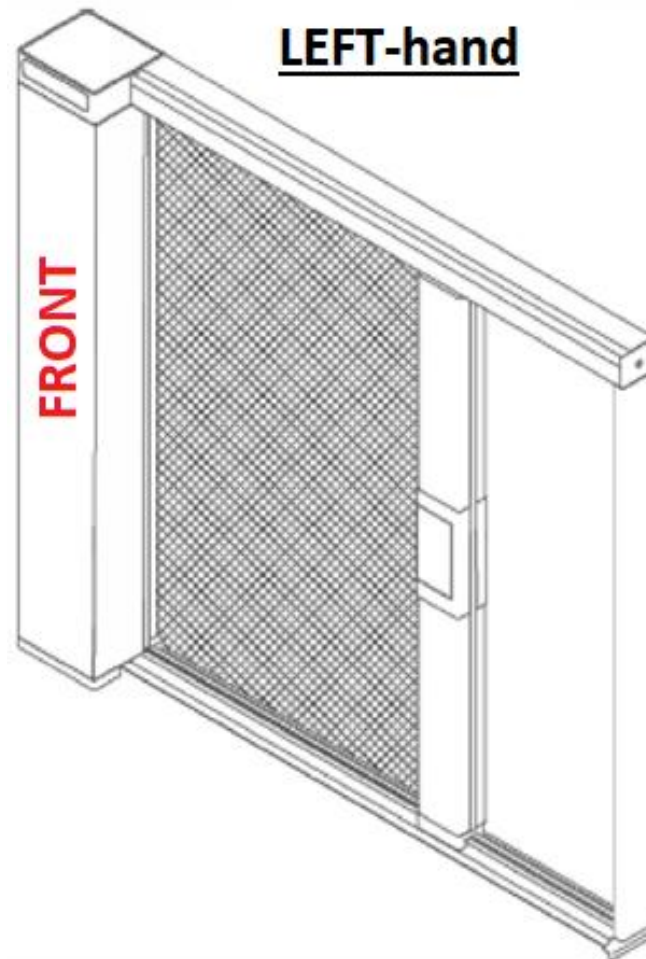
For the Best in Outdoor Living



Post-less 90° Corners



Handing is determined  
as if looking at the  
**FRONT** of **SCREEN**





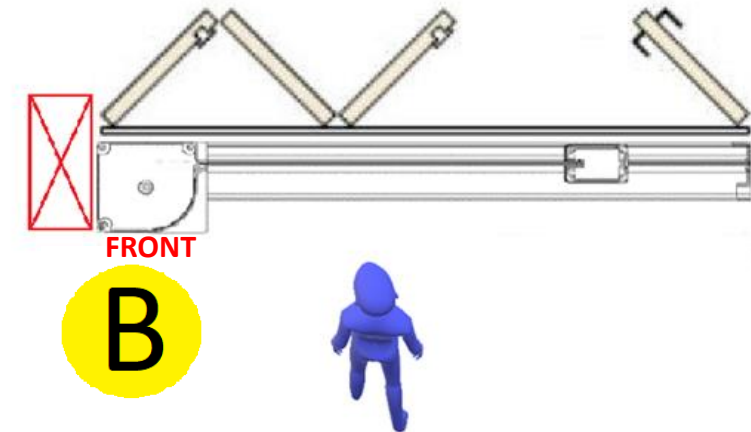
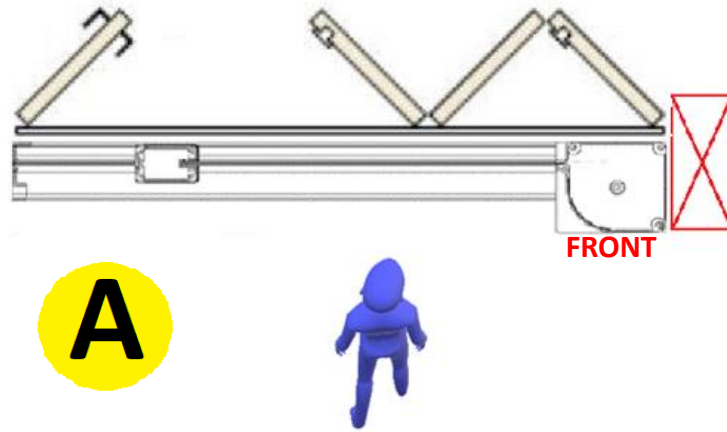
Handing is determined as if looking at the **FRONT** of SCREEN

Meaningless terms:  
-left/right draw  
-exterior/interior

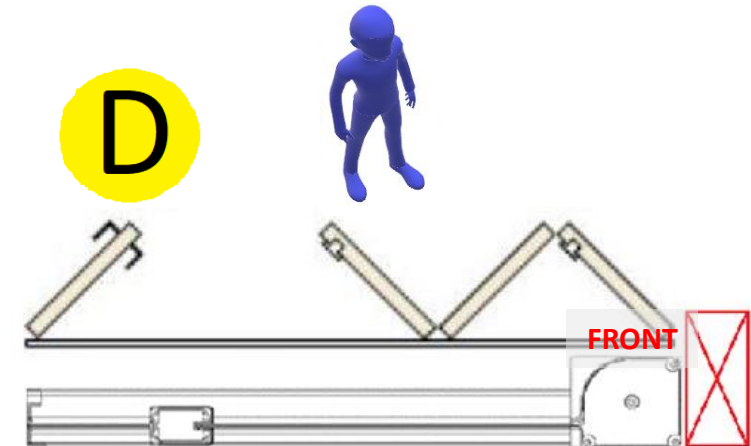
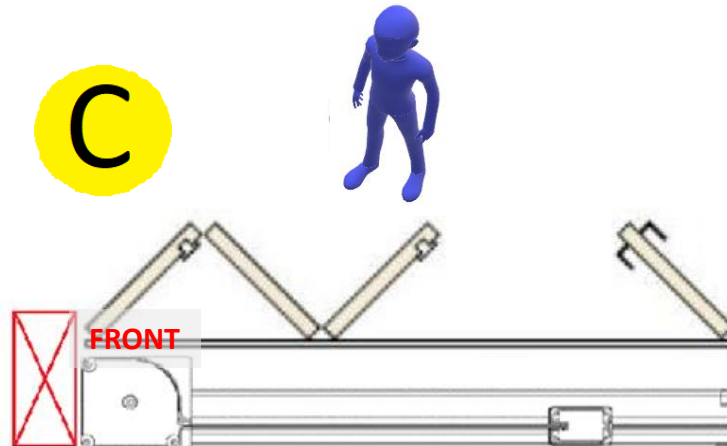
**RIGHT-handed Screen**  
(blue man looking RIGHT)

**LEFT-handed Screen**  
(blue man looking LEFT)

Mesh and tracks *closer to door*

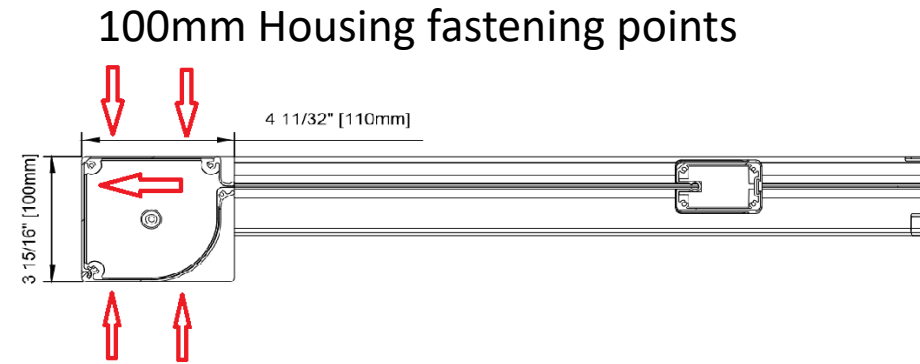


Mesh and tracks *further from door*

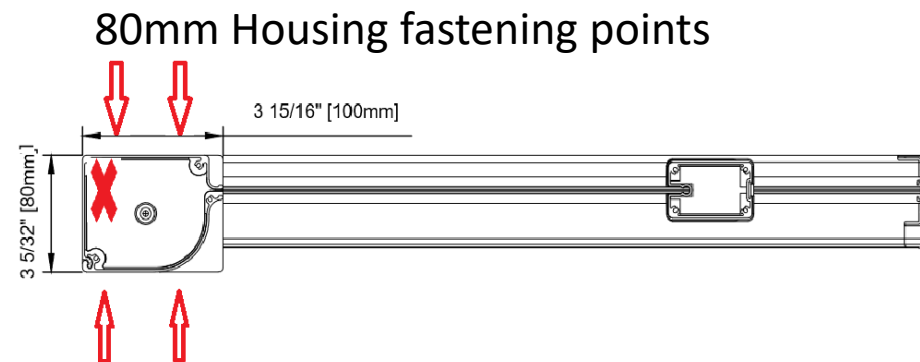


## Horizon Housings Fastening points

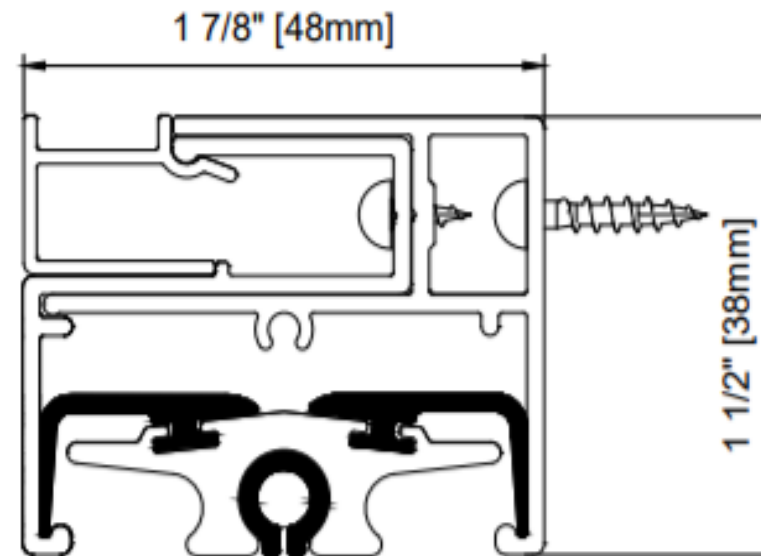
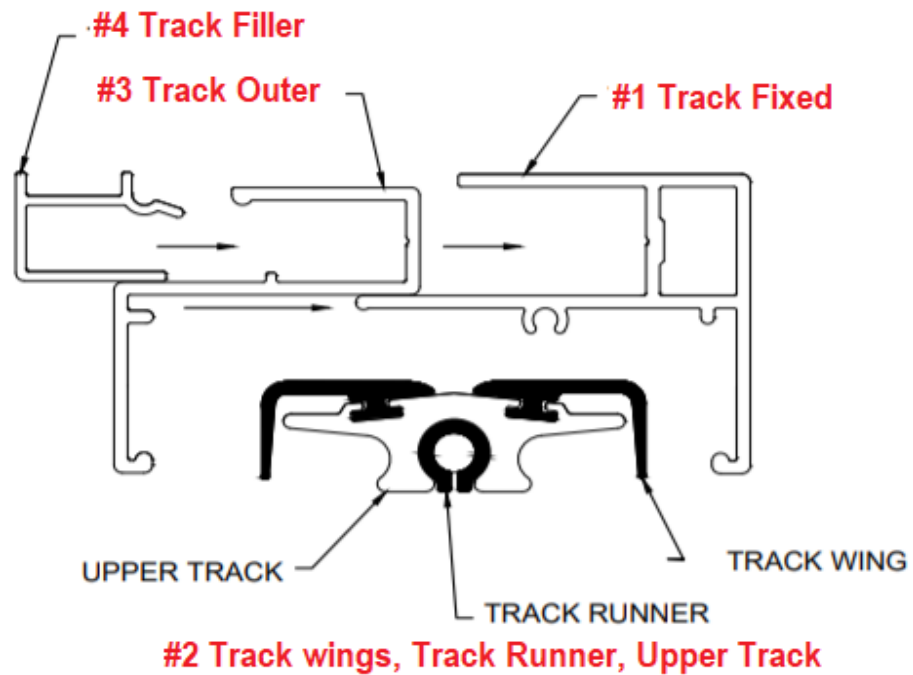
- The 100mm Horizon housing can be mounted inside the jamb, or on the surface



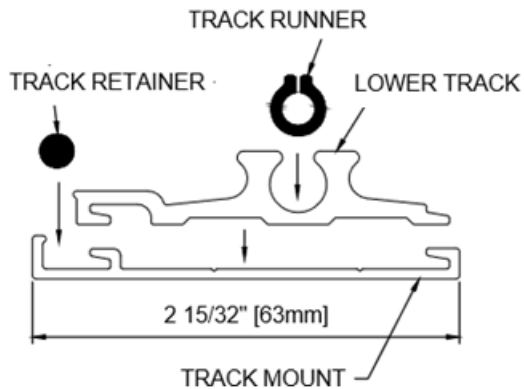
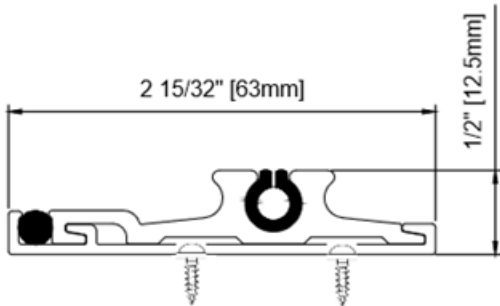
- The 80mm Horizon housing can be mounted on the surface



Horizon Tracks – Upper Track

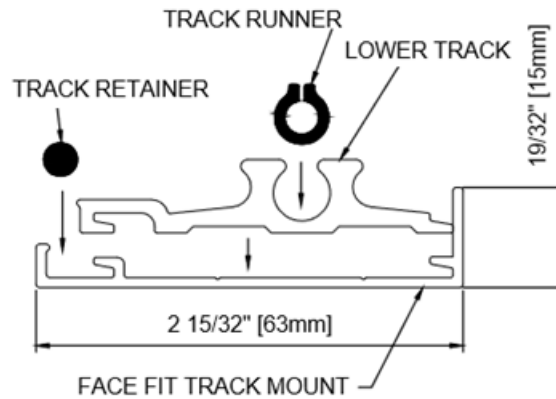
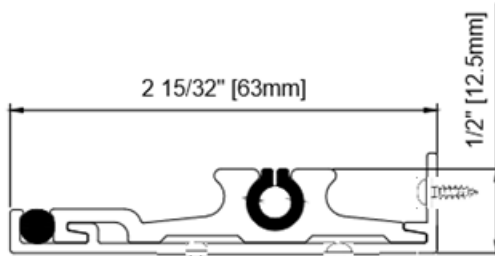


Horizon Tracks – Lower Track



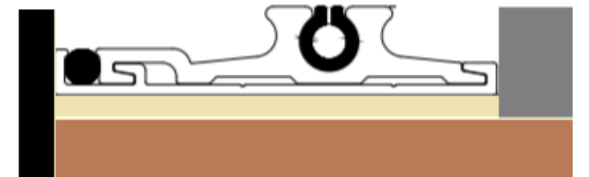
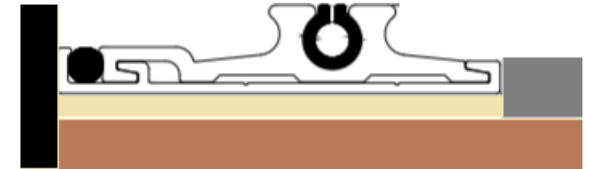
HZL2-TRACK MOUNT-01-P

Standard Mount



HZL2-TRACK MOUNT-02-P

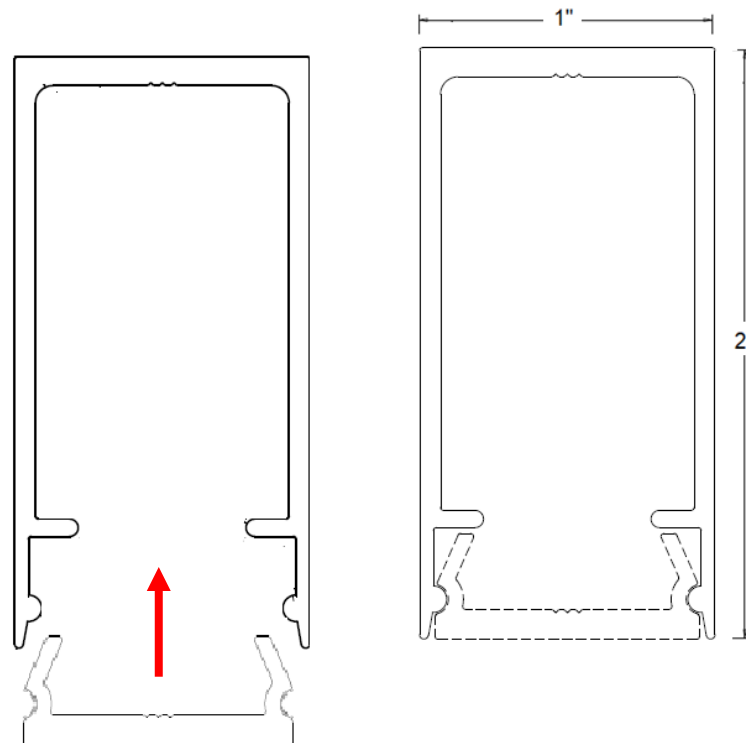
Face Mount – no vertical fastening



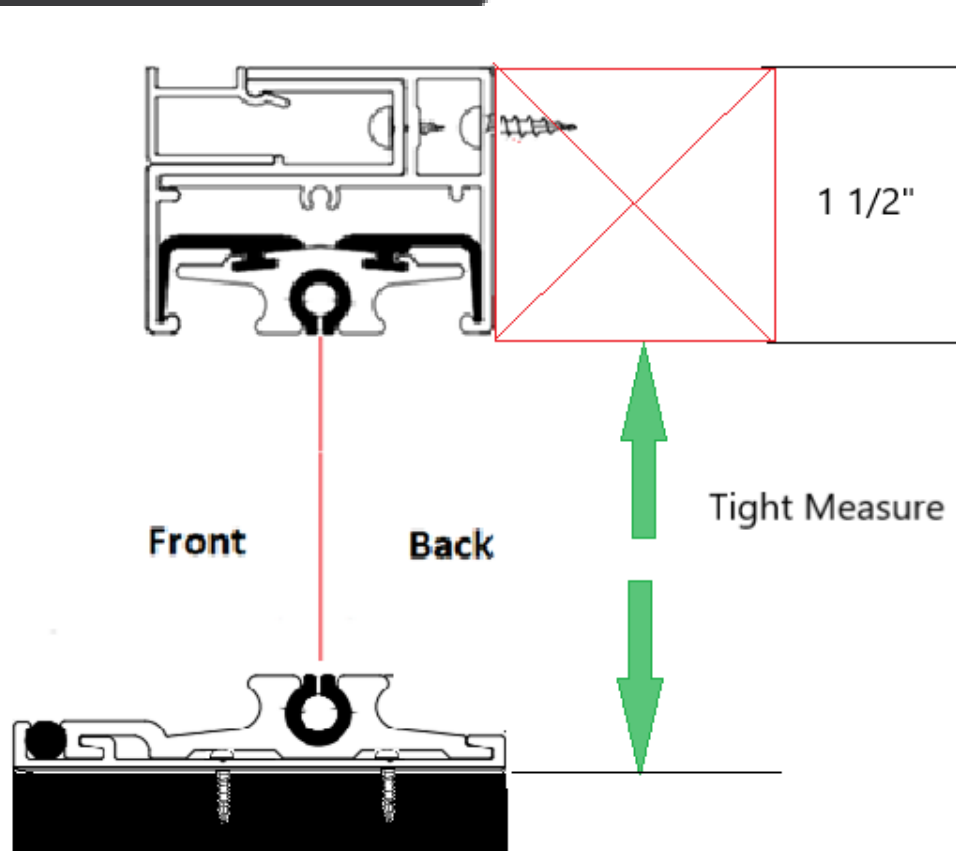
If setting the lower track into the floor,  
Housing is set down the same amount

## Common Box / Box Channel

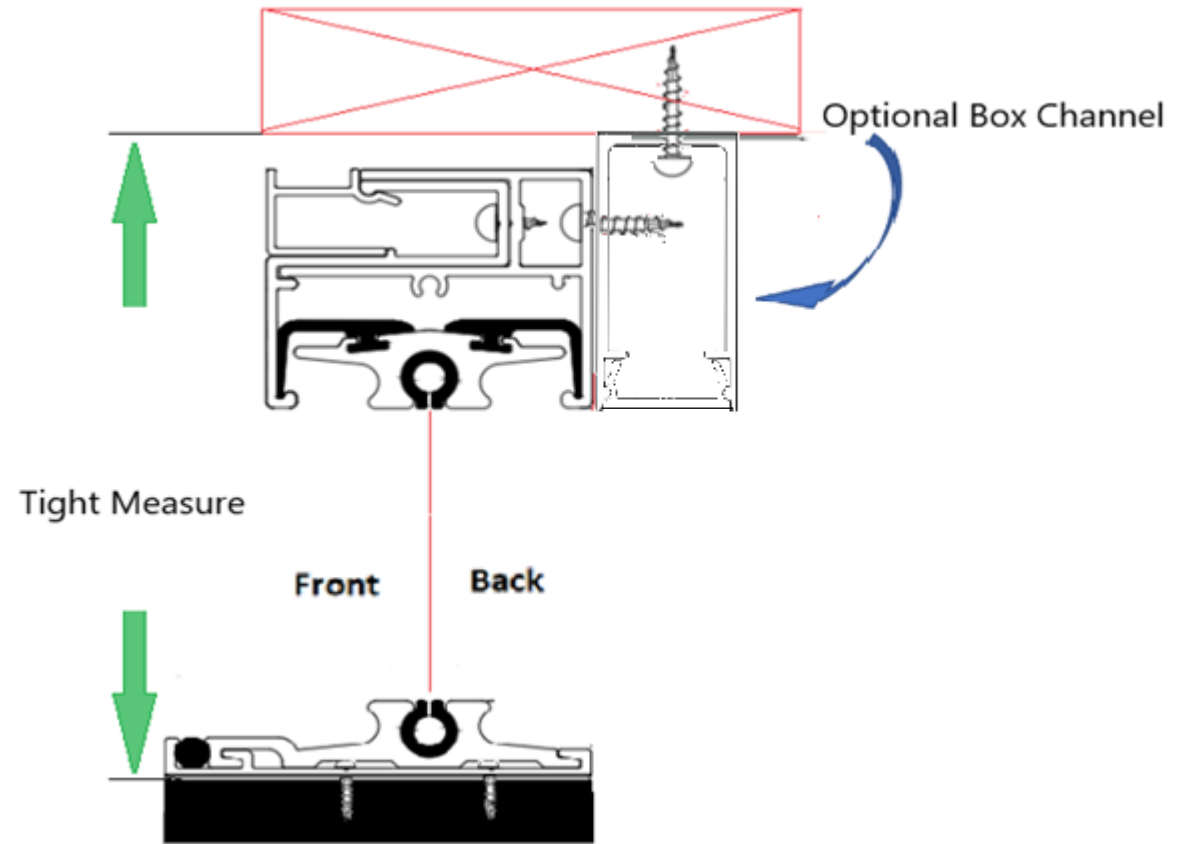
Optional extrusion that provides a straight flat surface to mount to, with concealed fasteners typically used when mounting The Horizons upper track under a header or beam



Horizon Upper Track Fastening and Height



***Upper track on the face or surface***  
***Tight measure + 1 1/2" = order height***



***Upper track under a header***  
***Tight measure - 1/2" = order height***