



Integrated System **Introduction**



- Building or renovating? Achieve a beautiful, seamless look with the [The Horizon Integrated System](#)
- Welcome the fresh air and sunlight while blocking insects
- Framed 100mm: Single 21' 6" max span; Double 43' max span
- The system incorporates Wizards proven retractable Horizon screen with its fully flush handle, floating upper track, low-profile track, and concealed fixings throughout
- The 3-sided frame option allows the ½" staged lower track to be either recessed with or mounted on top of the floor
- With its large spanning options, low profile construction, and sleek design, the Horizon Integrated System is the ultimate concealable retractable screen

- Compatible with most door systems, including bi-fold, sliding, and stacking doors.





Integrated System

- The frame is fit within a wall cavity after door installation and during rough framing phase. The jamb fillers are temporarily placed to maintain rigidity.



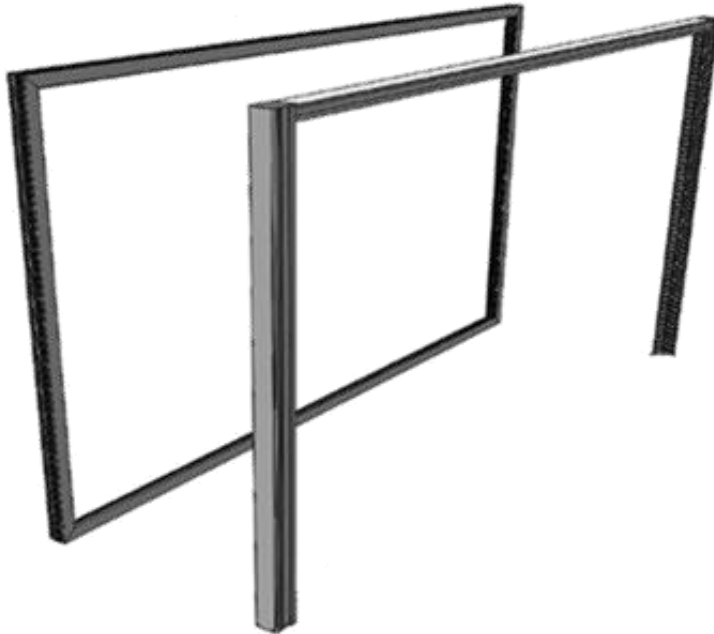
- After finish construction is complete, the screen door and tracks are finally installed. The finish result achieves a discreet look and streamlined operation.





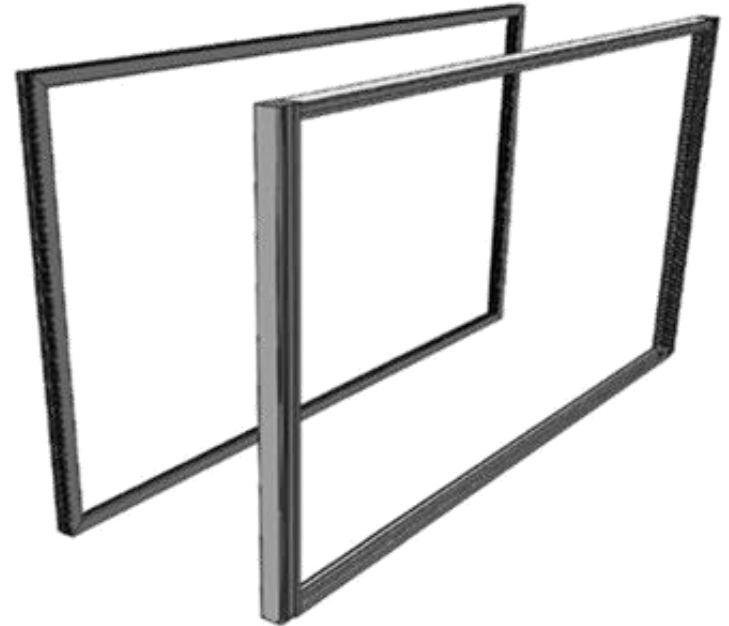
Integrated System

Bi-folding / Stacking door



Horizon 3 Sided Frame
Single and Double Screens

Bi-folding / Stacking door

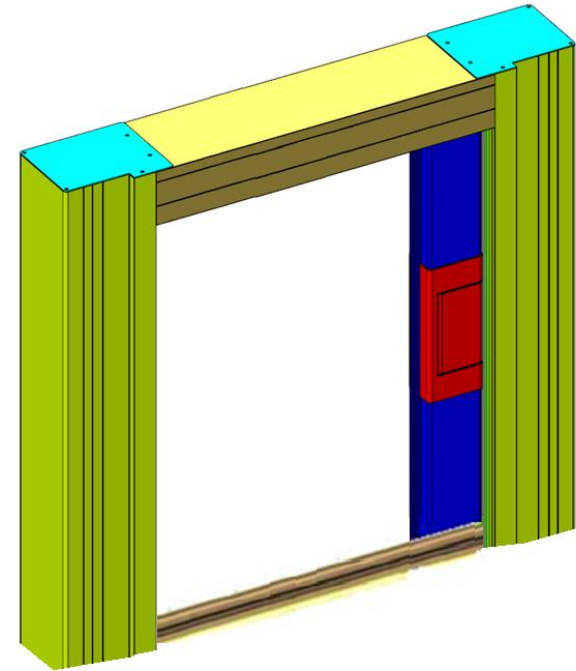
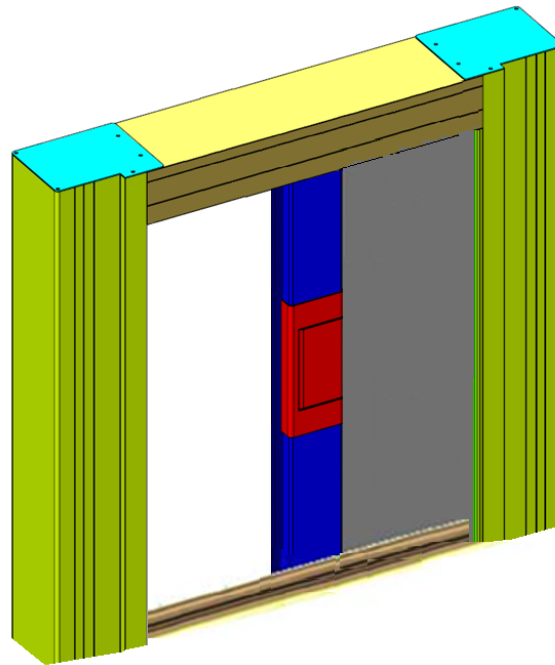
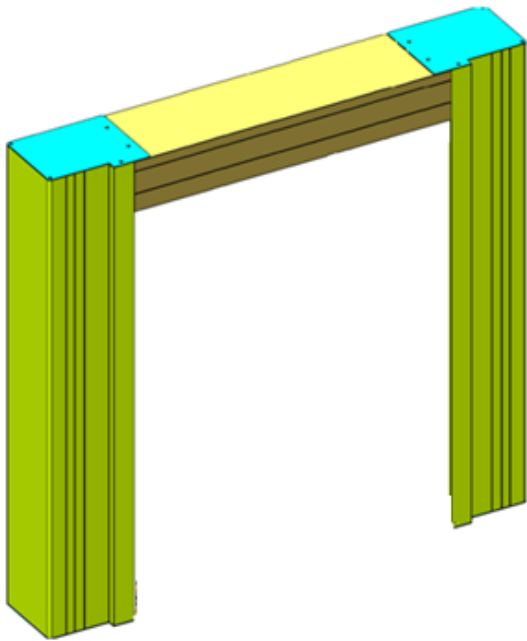


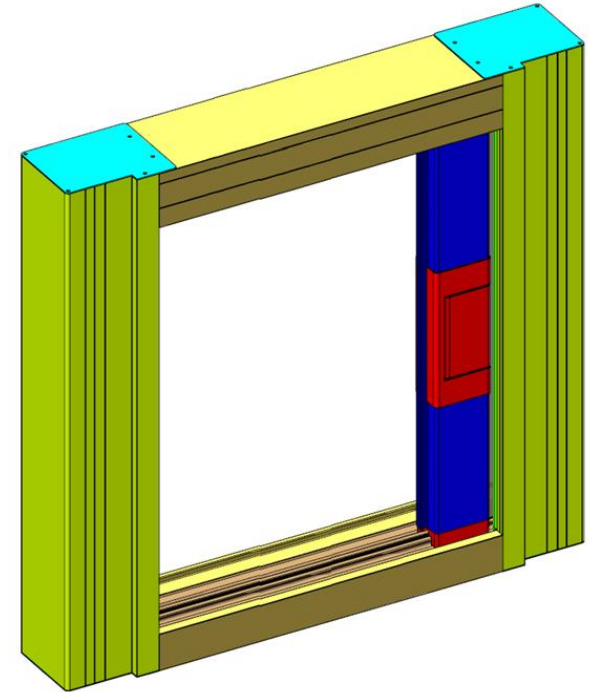
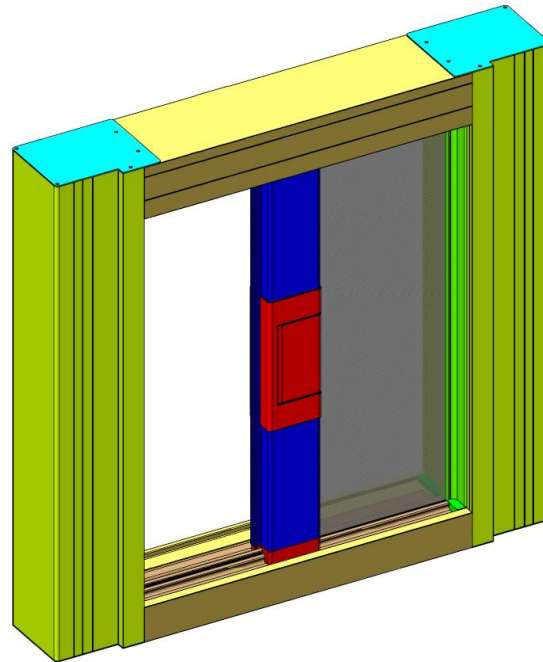
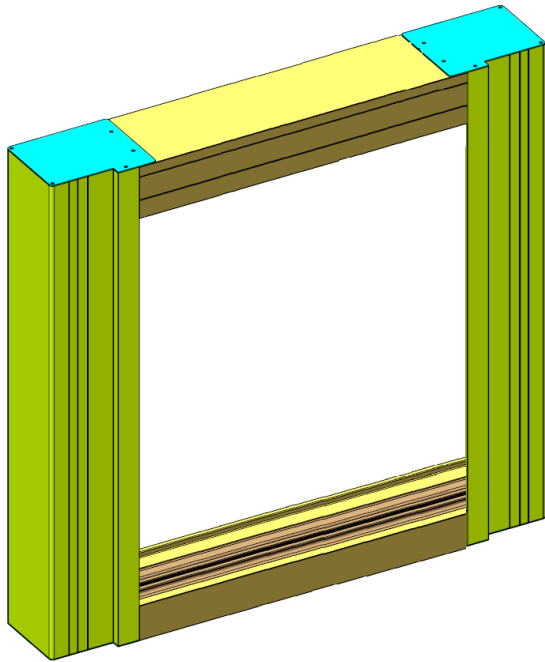
Horizon 4 Sided Frame
Single and Double Screens



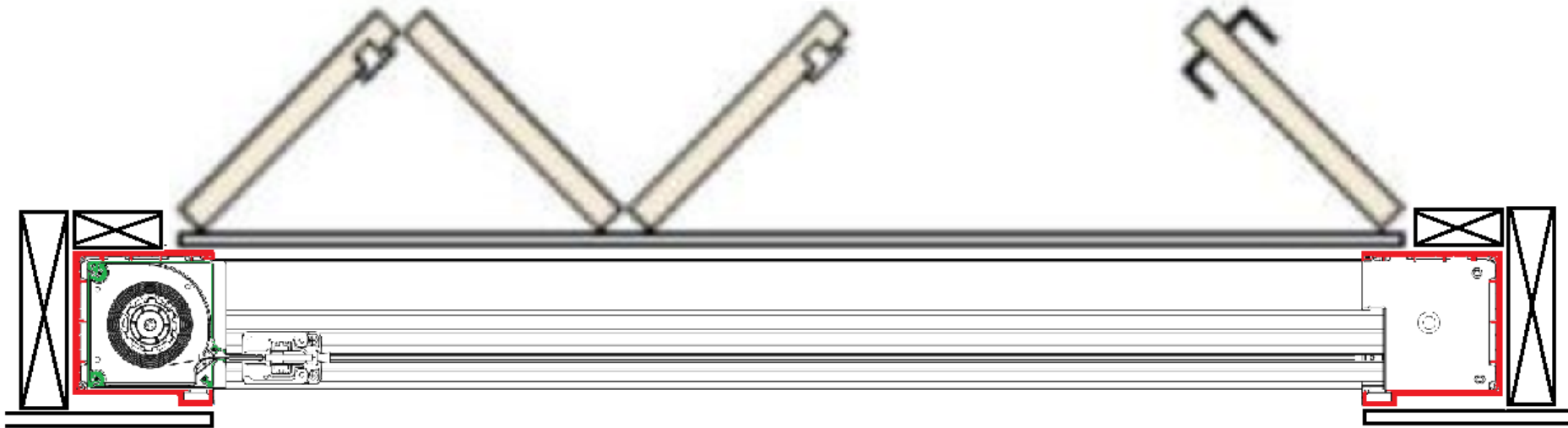
Integrated System

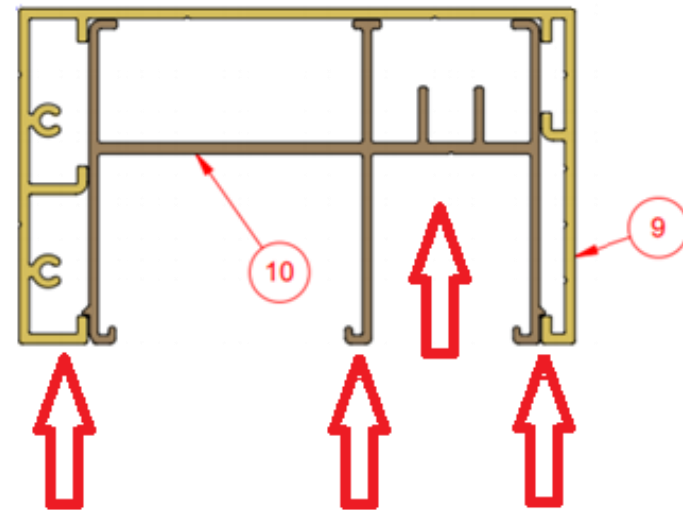
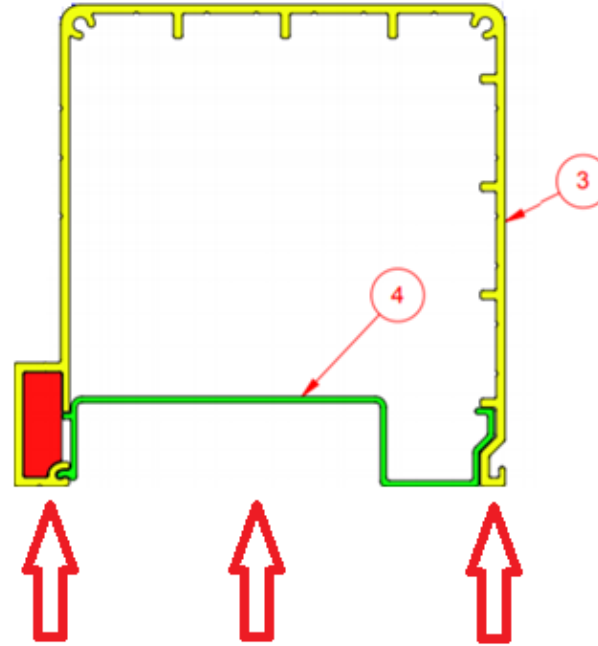
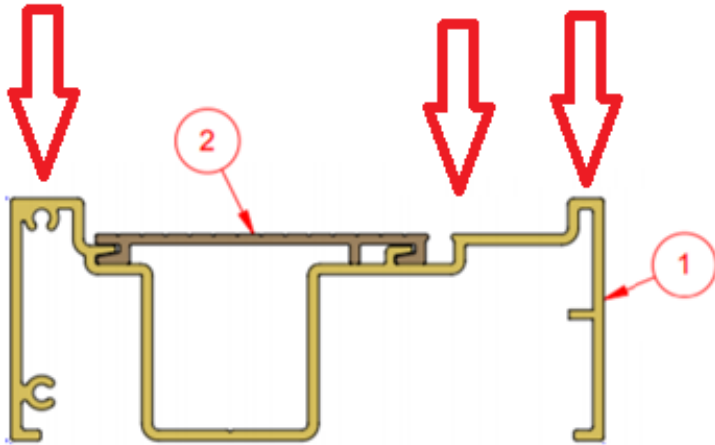
*3-sided use the standard lower track





Typical orientation of **integrated frame** and **screen** in relation to the door.

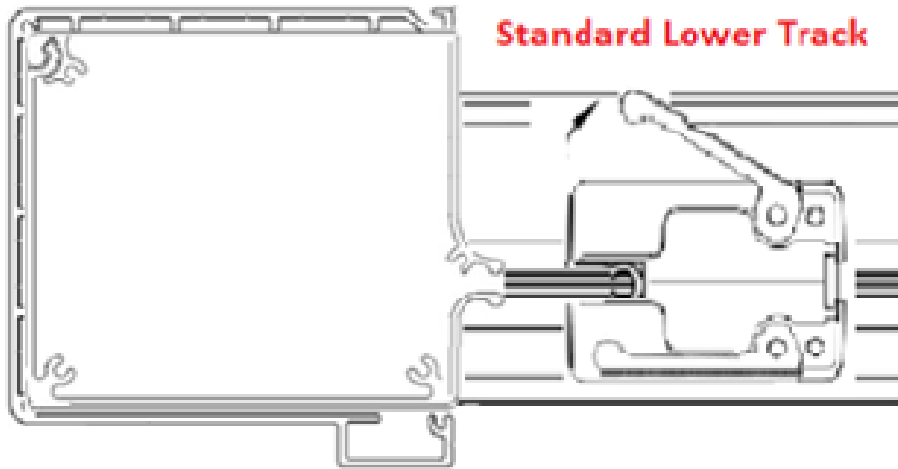




- 1 - Sill raised
- 2 - Sill filler (removed when track installed)
- 3 - Jamb extrusion
- 4 - Jamb filler
- 9 - Header
- 10 - Header insert

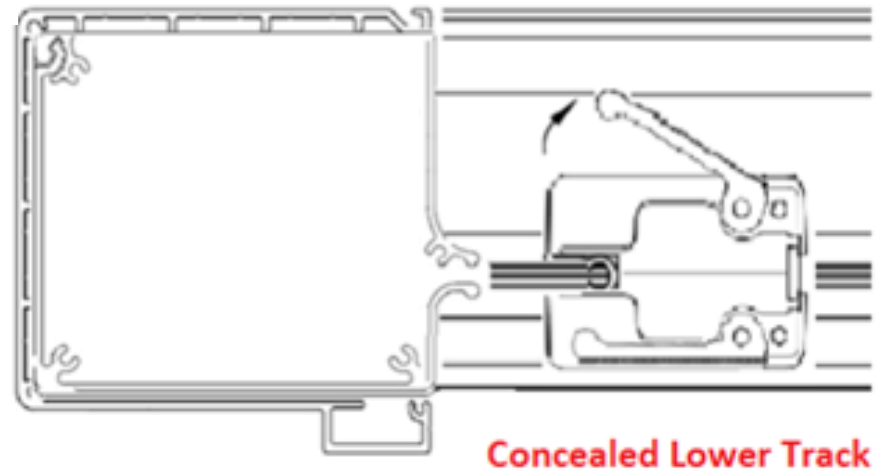
3 Sided Frame

Lower track recessed into or on top of finish floor



4 Sided Frame

Integrated recessed lower track





If you wish to conceal the pull-bar you would need to leave additional clearance as determined by the site requirements

