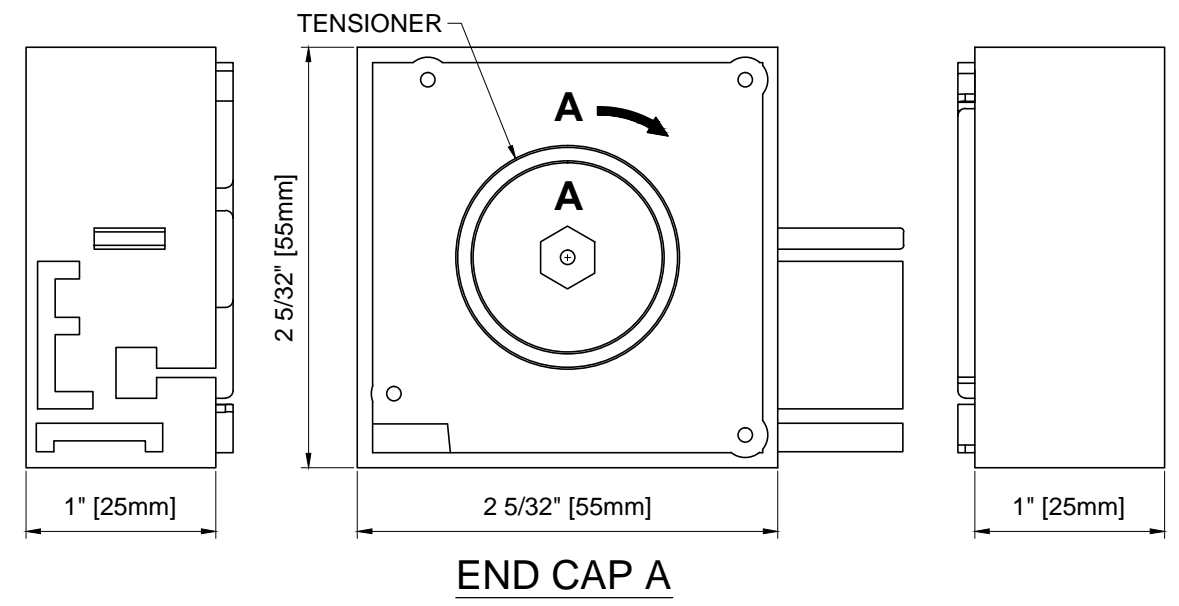
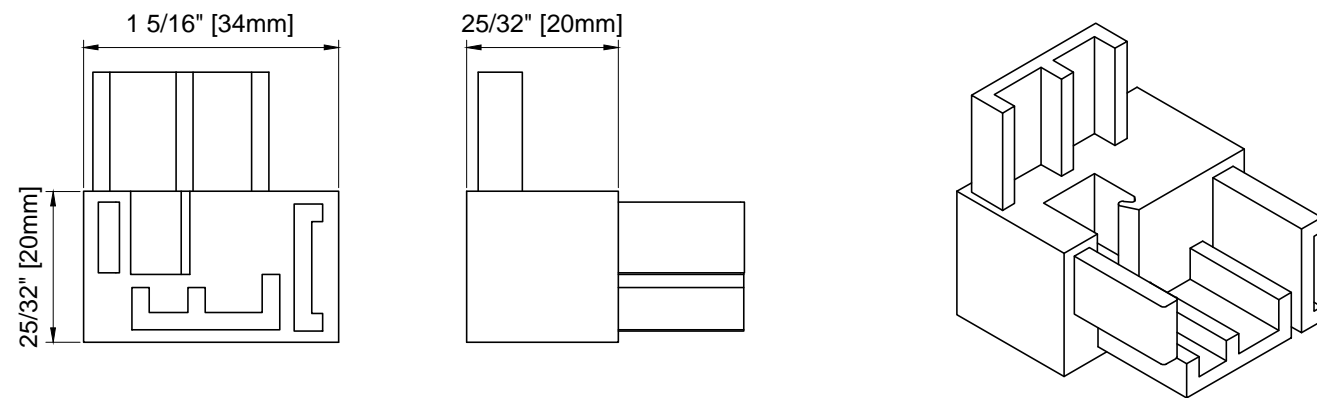


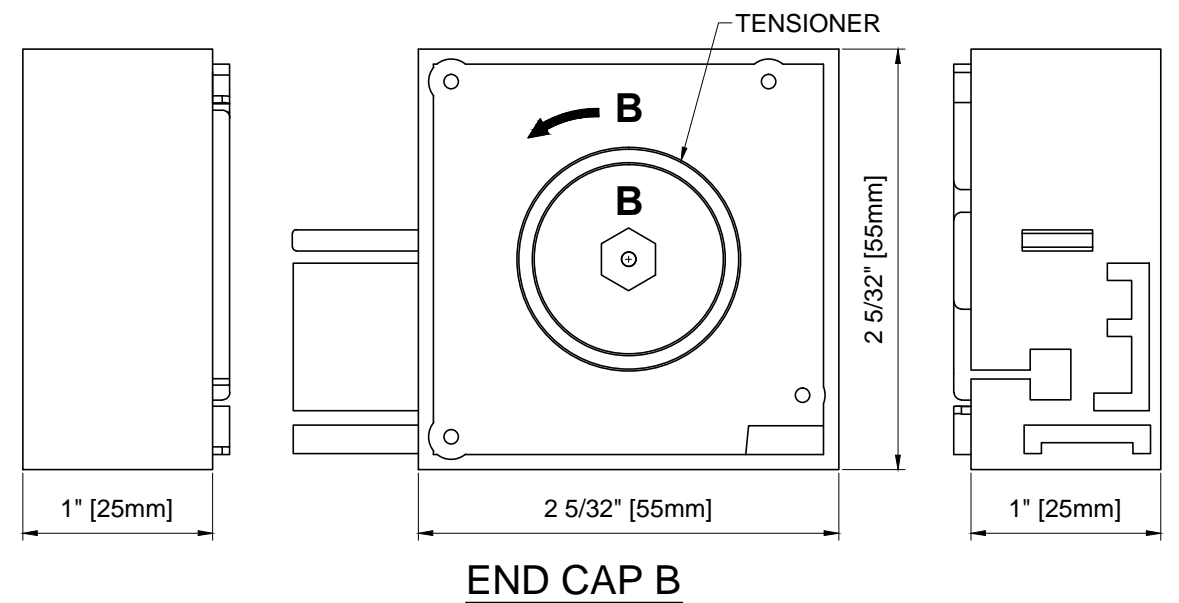
SQUARE HOUSING



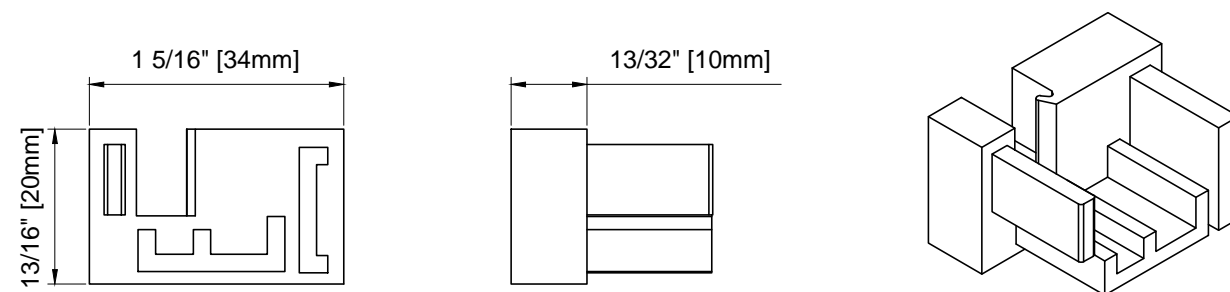
END CAP A



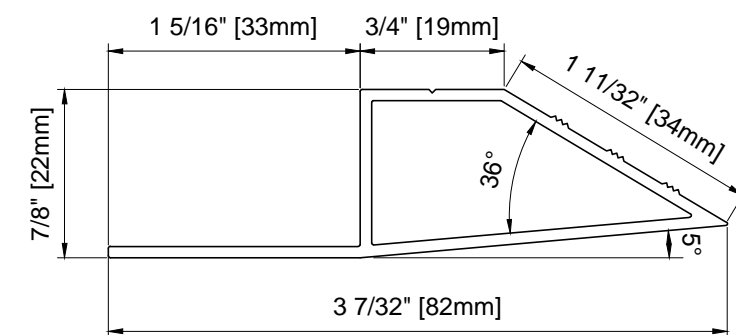
TRACK-TO-RECEIVER JOINER



END CAP B



TRACK CAP



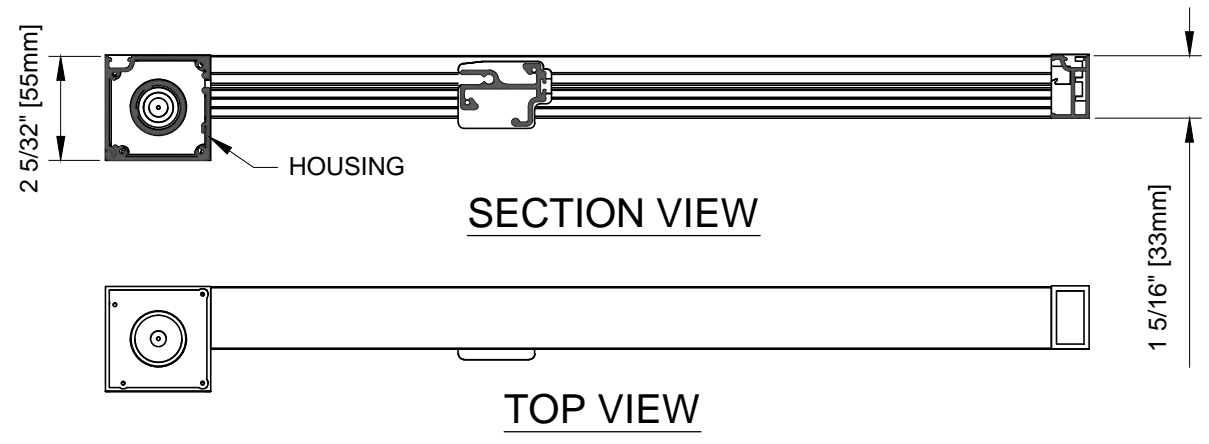
SILL ADAPTER - OPTIONAL



WIZARD INDUSTRIES INC.
 4263 PHILLIPS AVENUE
 BURNABY, BC
 V5A 2X4

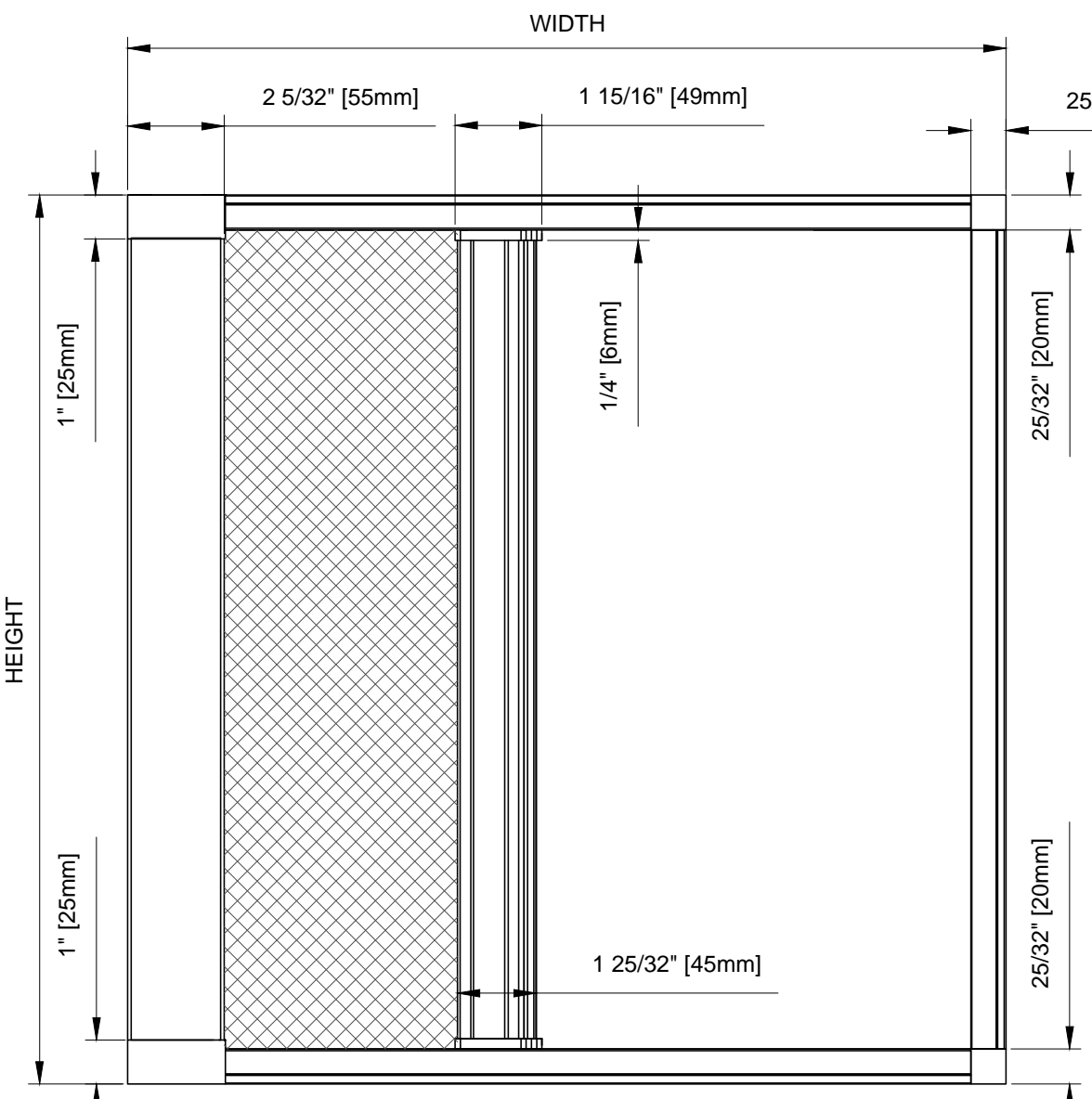
BETTERVIEW
 55mm STANDARD PARTS

SCALE:
 1:1
 DATE:
 JUNE 13 2023
 DWG:
 BV-100



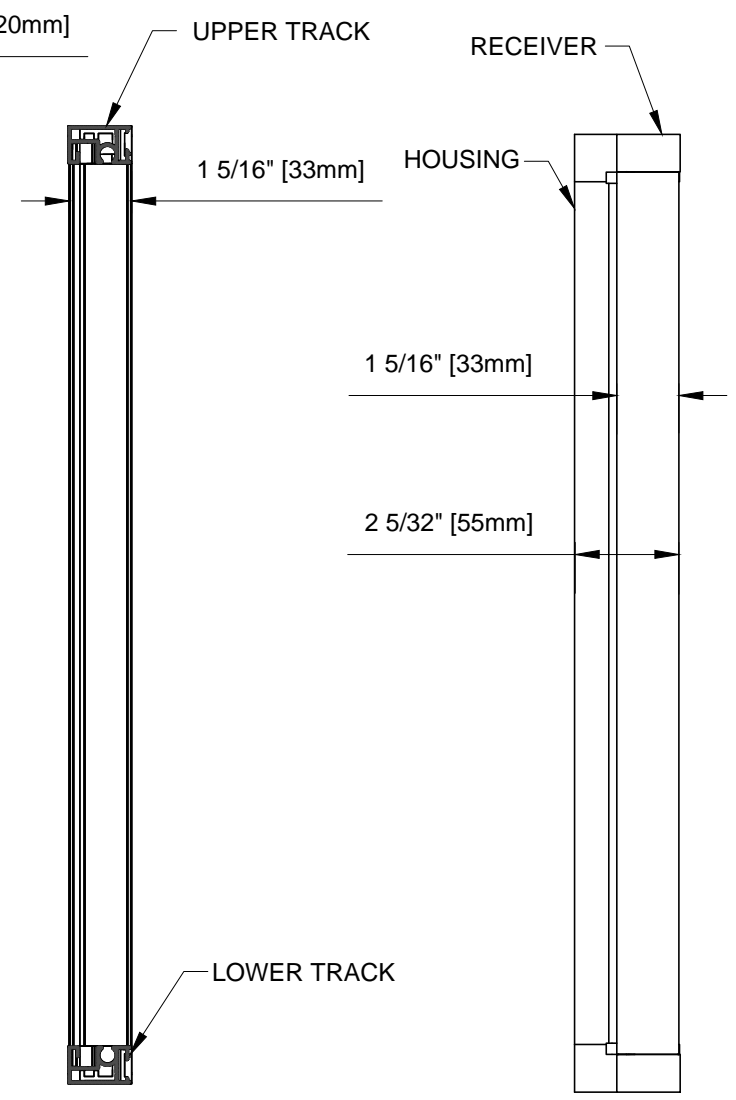
SECTION VIEW

TOP VIEW



FRONT ELEVATION

SCALE: 1:4

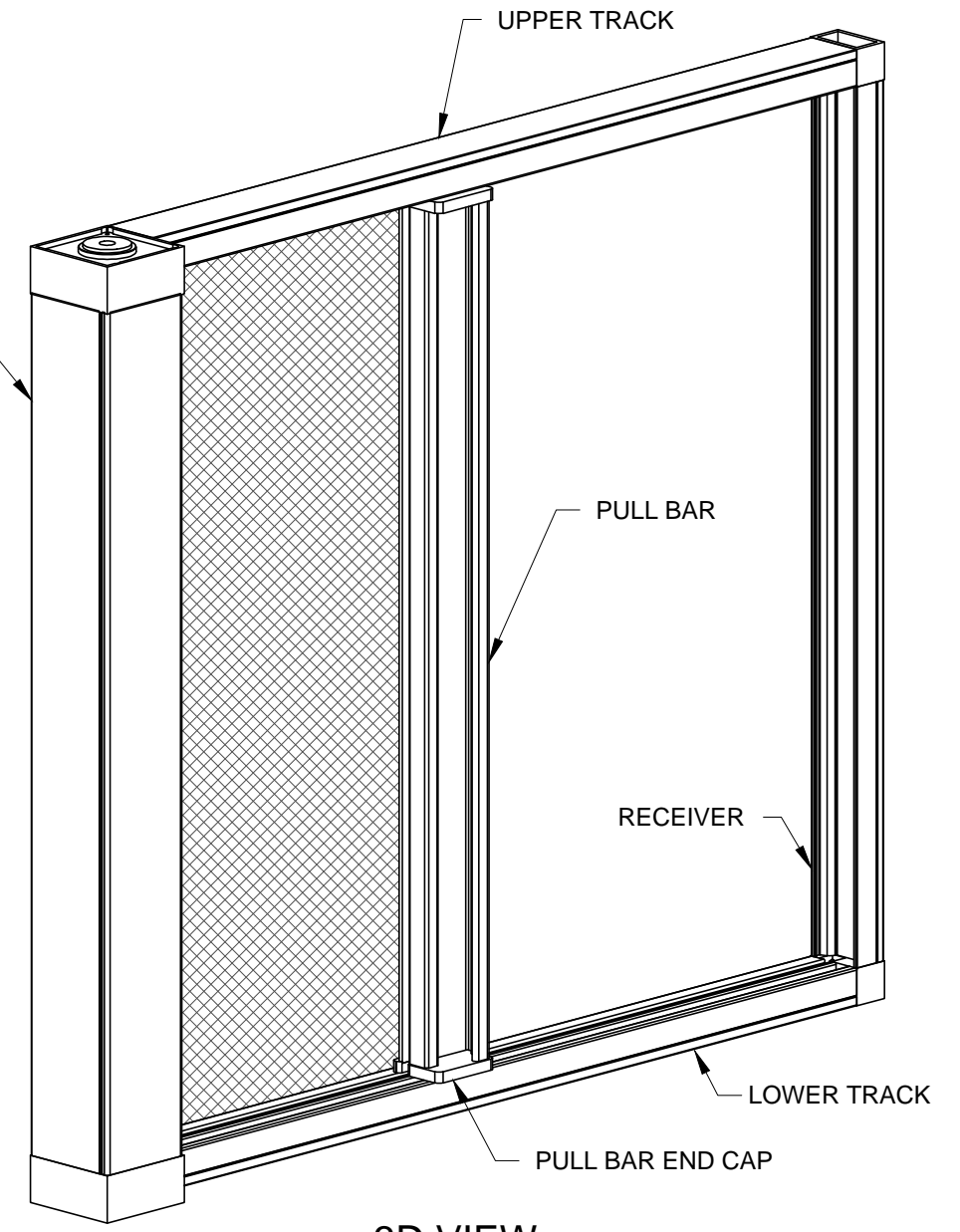


SECTION VIEW

SCALE: 1:4

END VIEW

SCALE: 1:4



3D VIEW



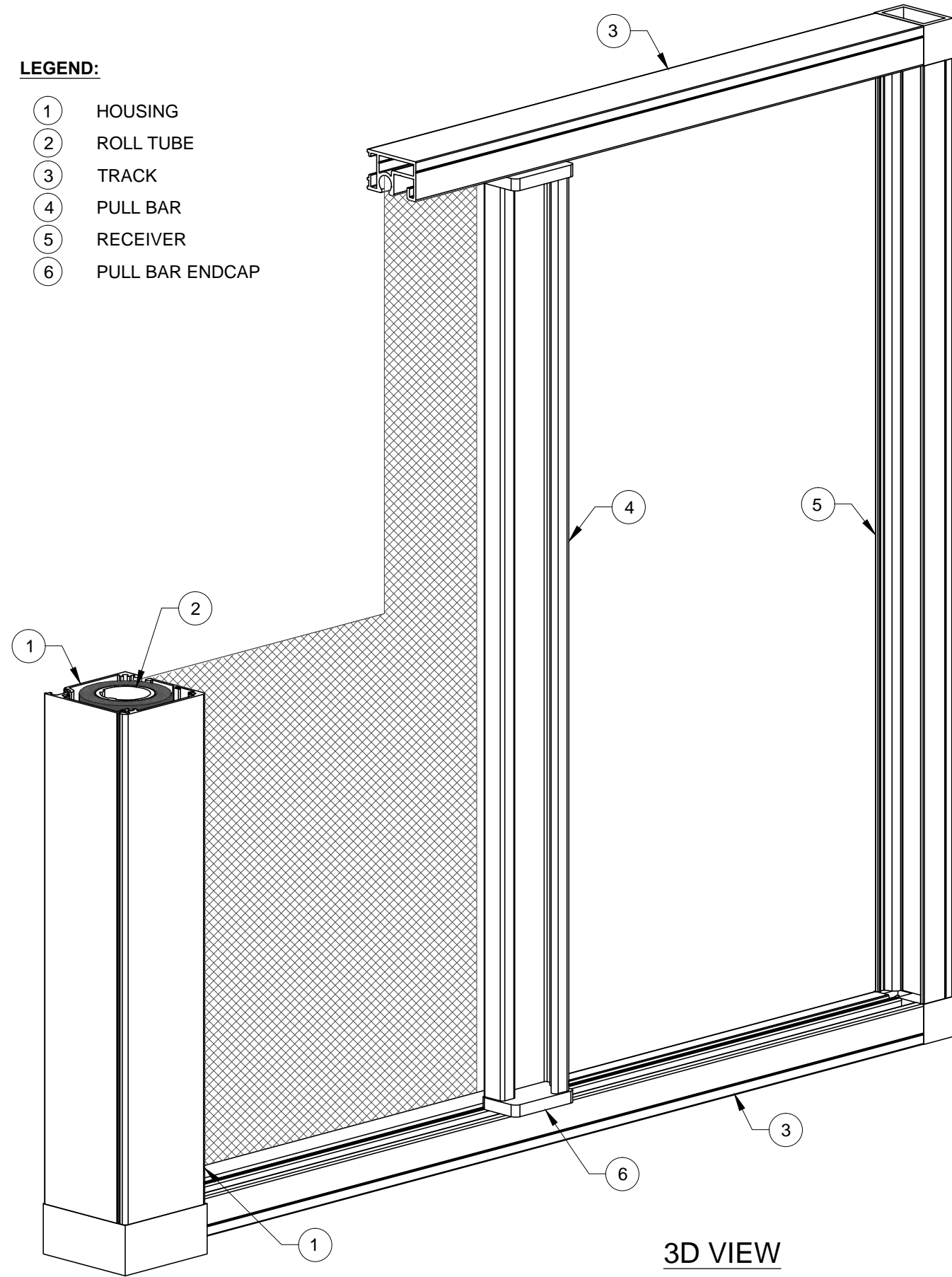
WIZARD INDUSTRIES INC.
 4263 PHILLIPS AVENUE
 BURNABY, BC
 V5A 2X4

BETTERVIEW
 55mm ASSEMBLY

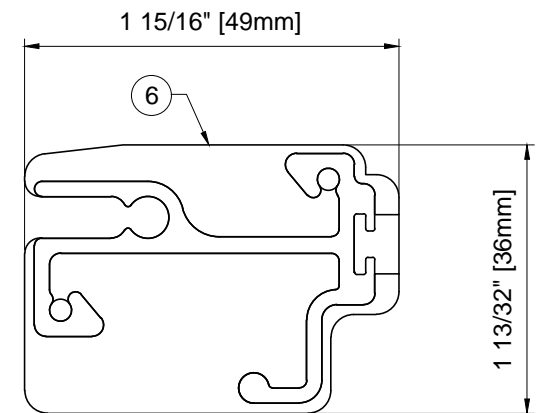
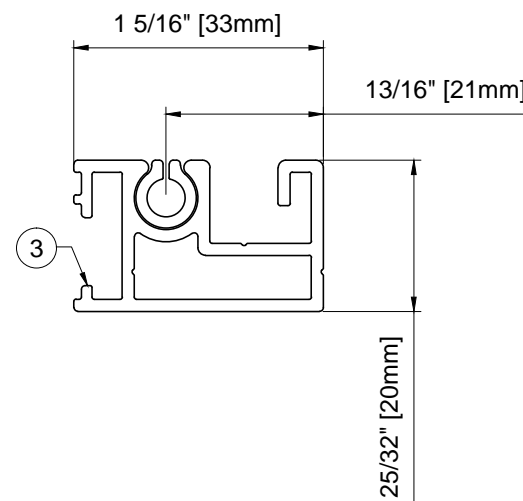
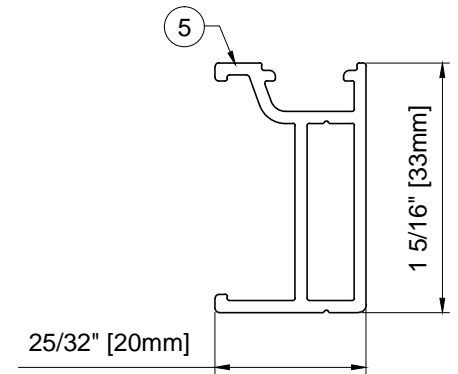
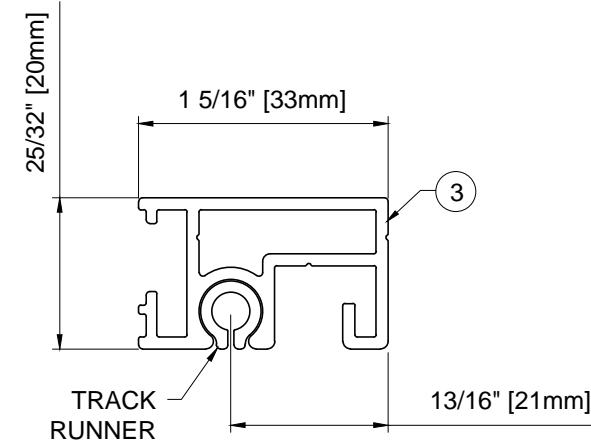
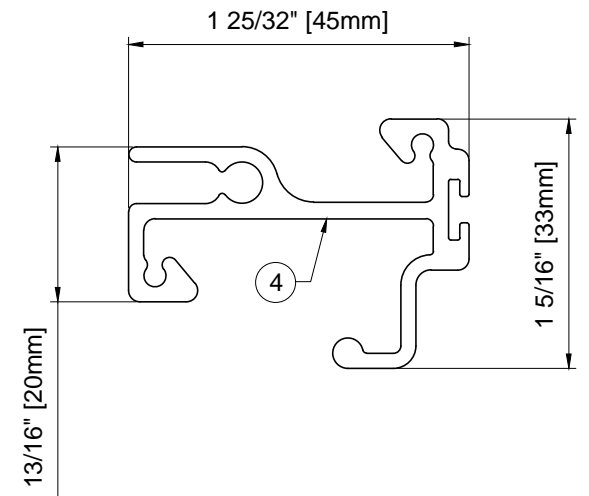
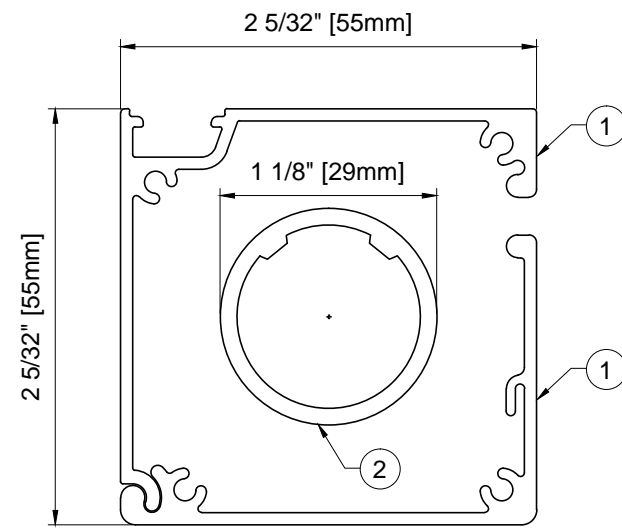
SCALE:
AS SHOWN
 DATE:
JUNE 13 2023
 DWG:
BV-100

LEGEND:

- ① HOUSING
- ② ROLL TUBE
- ③ TRACK
- ④ PULL BAR
- ⑤ RECEIVER
- ⑥ PULL BAR ENDCAP



3D VIEW



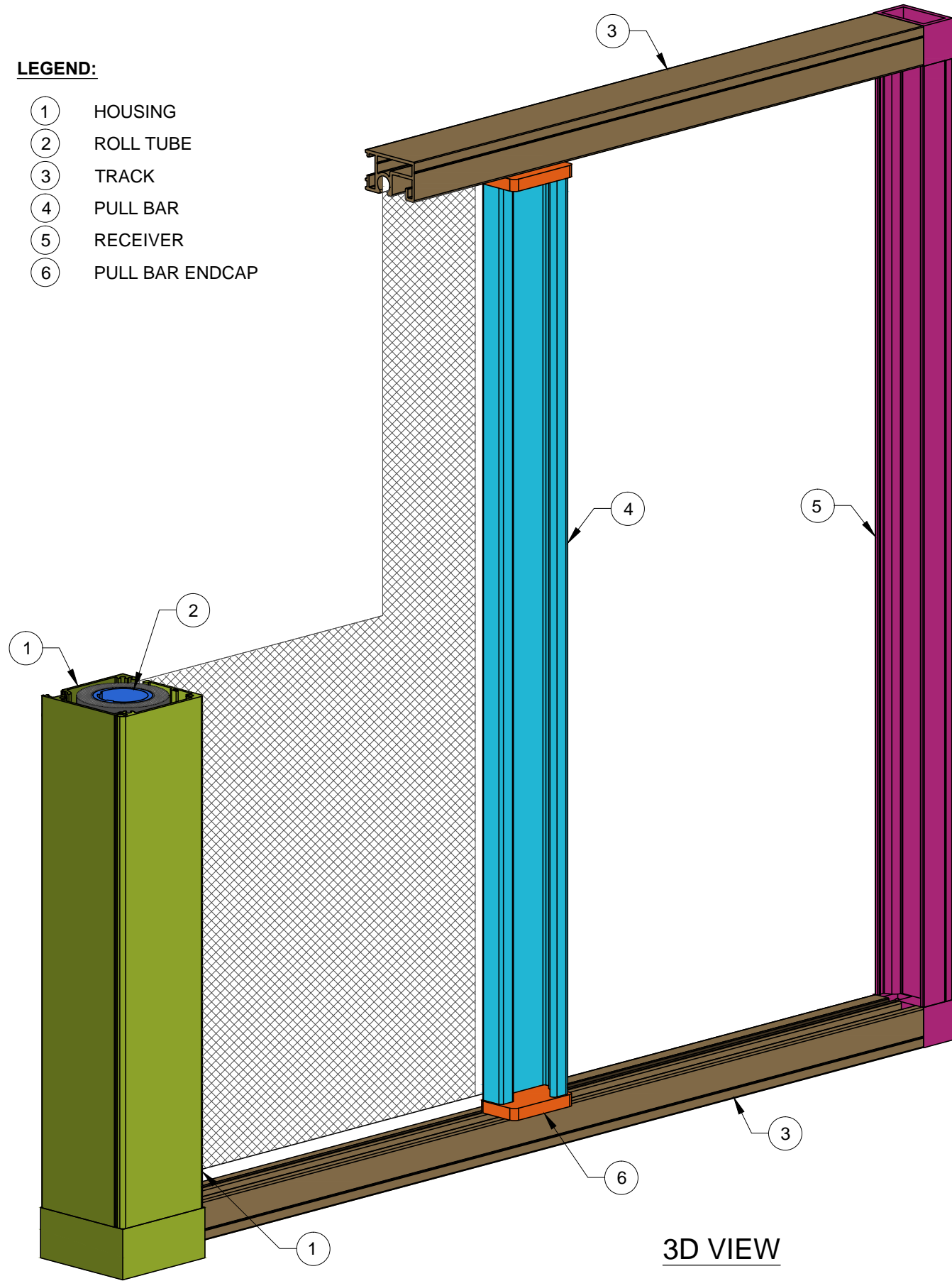
WIZARD INDUSTRIES INC.
 4263 PHILLIPS AVENUE
 BURNABY, BC
 V5A 2X4

BETTERVIEW
 55mm PARTS

SCALE:
 1:1
 DATE:
 JUNE 13 2023
 DWG:
 BV-100

LEGEND:

- ① HOUSING
- ② ROLL TUBE
- ③ TRACK
- ④ PULL BAR
- ⑤ RECEIVER
- ⑥ PULL BAR ENDCAP



3D VIEW

