

Introduction to VISTA VIEW™



Contents

1. Mesh and Colours.....	3
2. Applications.....	4
3. Configurations.....	4
4. Features.....	6
5. Housing Sizes and Maximum Opening Dimensions.....	6
6. Mounting.....	7
7. Fastening.....	8
8. Recessed Option.....	9
9. Sill Adapter Options.....	9

VistaView screens are thoughtfully designed to provide a contemporary look, be simplistic in use, and ensure reliable, superior performance.

1. Mesh and Colours

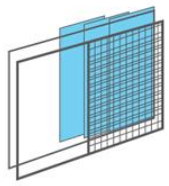
Wizard offers a wide range of specialty mesh that suits the customers needs.

The beauty of the customer's panoramic view is maintained with the pleat-less mesh Wizard uses in all of our systems.

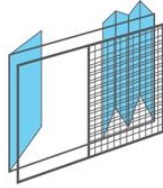


Colours are custom formulated for Wizard by Akzo Nobel - optional custom finishes and RAL colours are also available.

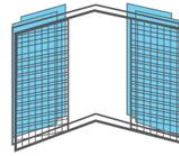
2. Applications



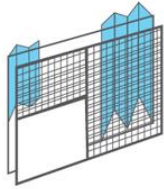
Multi - Sliding Doors



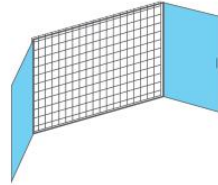
Bi-Fold Doors



Corner Openings



Split Height

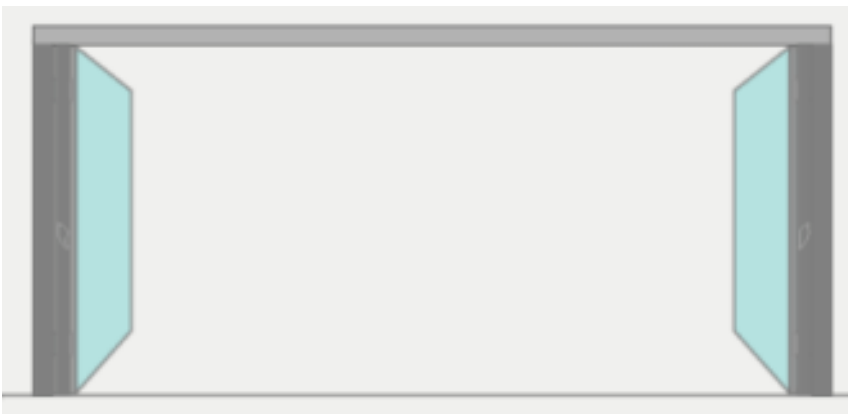


French Doors

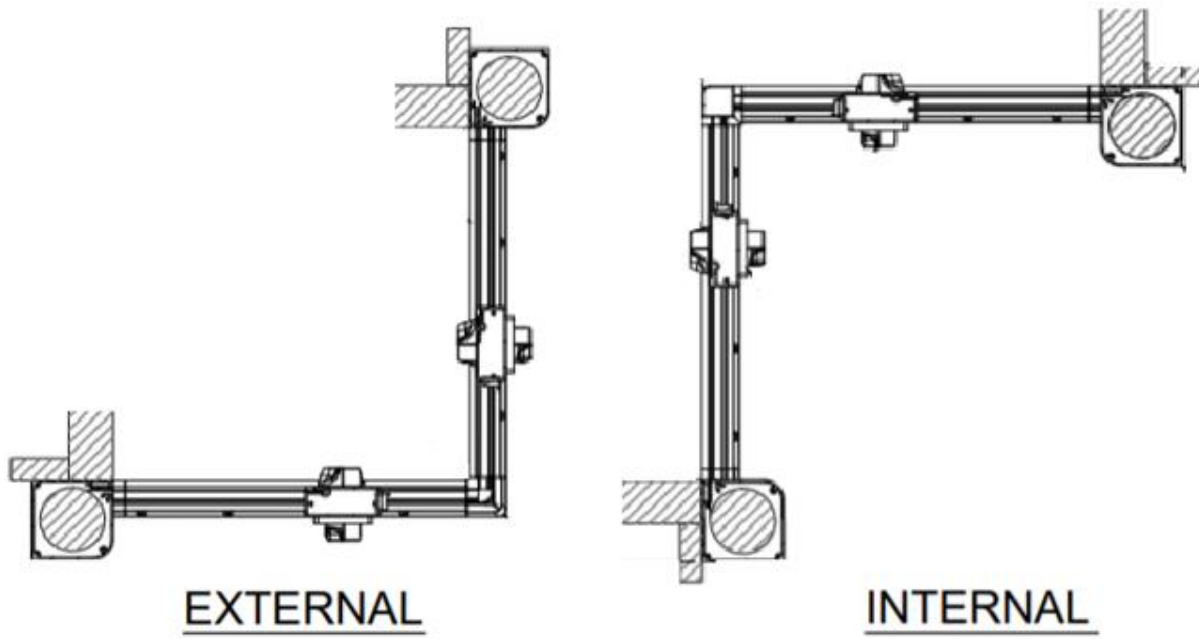
3. Configurations

Double screens can be **50:50 splits**. They can also be **off-centre splits**. This means that the tracks **do not** have to be cut to meet in the centre. The screen can also extend to either end.

***NOTE:** Pull-bars stop at the track joiners.



90° Corners are possible in post-less openings.



Internal Corner



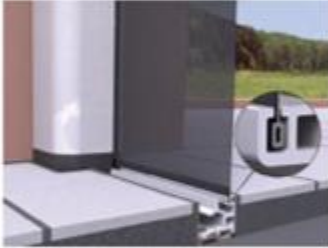
*NOTE - The *handles* are at **different heights**.

4. Features



Auto-Stop

Homeowners gain full control with the convenience of unlimited stopping points. Automatically stops when the handle is released.



Captured Mesh

A zipper welded to the mesh keeps the screen tight, prevents blow-outs and gives strength to withstand high winds.



Recessed Track

VistaView screens can be recessed to provide a smooth transition and finished look.

5. Housing Sizes and Maximum Unit Dimensions

	Single (W x H)	Double (W x H)
60 mm [2 3/8"]	6' x 10'	12' x 10'
70 mm [2 3/4"]	10' x 10'	20' x 10'
80 mm [3 1/8"]	14' 6" x 11'	29' x 11'

6. Mounting

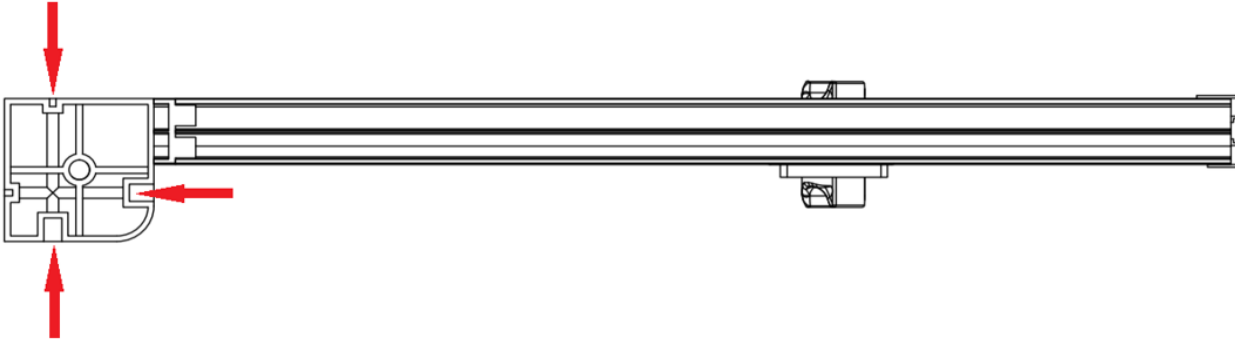
The VistaView can be mounted either to the (1) face or (2) under-header/in-jamb.



7. Fastening

Housing

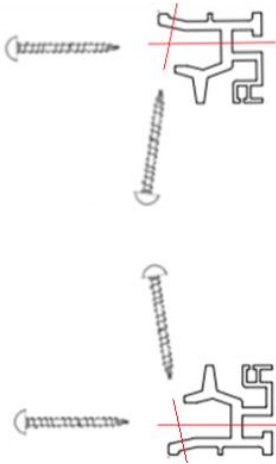
VistaView *housings* can be fastened through the **front, back, or inside** locations.



Tracks

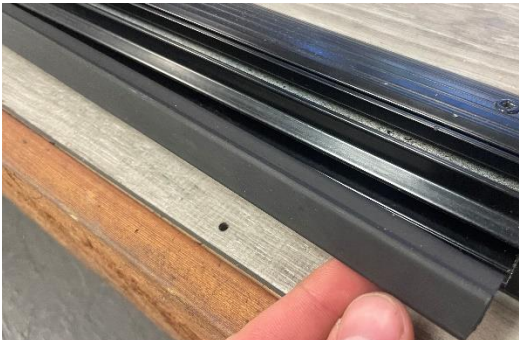
Upper & Lower Tracks are **identical**.

Tracks can be fastened with screws oriented **vertically or horizontally** to suit install.



Optional Track Covers

Optional Track Covers can be ordered and applied to the tracks to conceal the screws.



8. Recessed Option

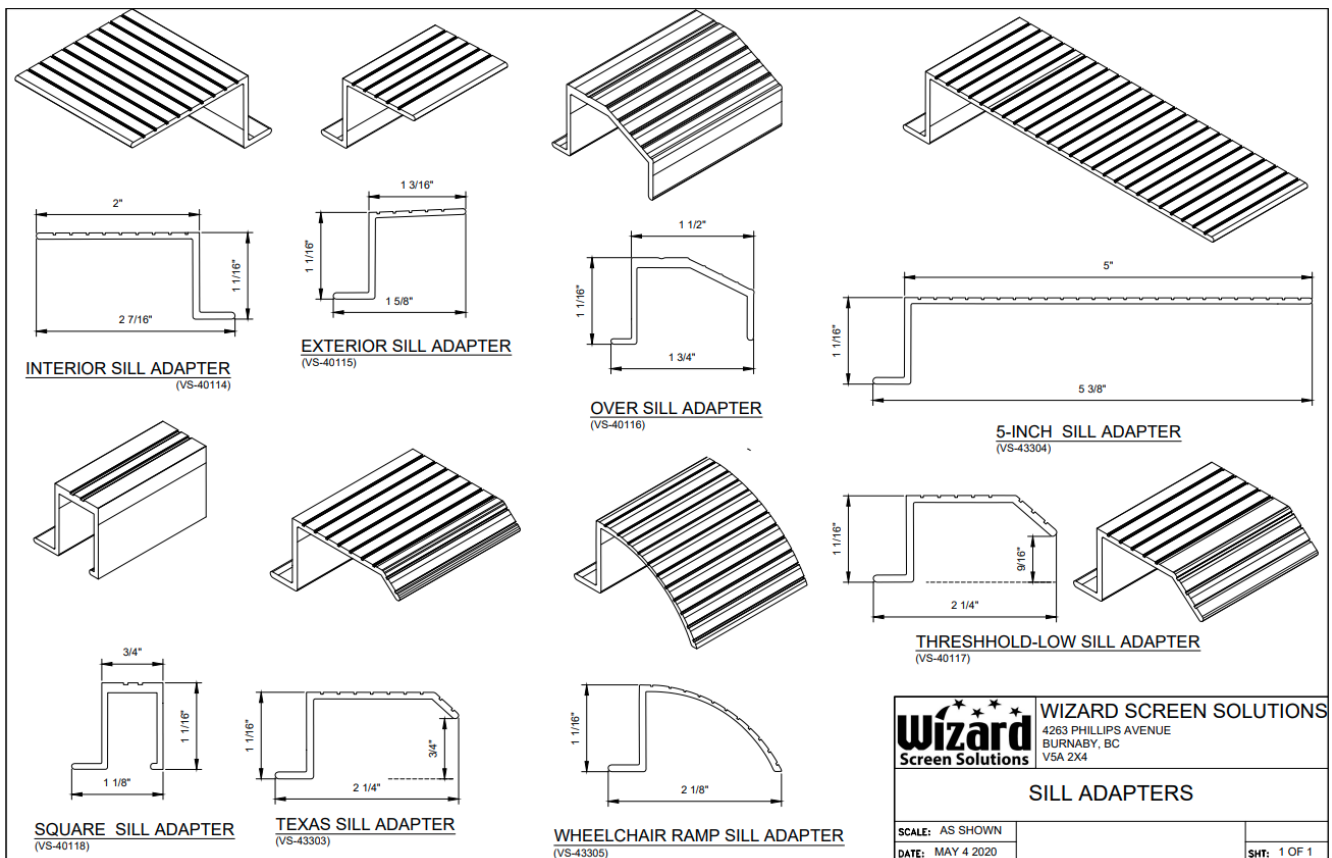
Lower tracks and lower housing endcap can be recessed into a channel & cup.



9. Sill Adapter Options

Available in 80" lengths. Orderable under "RetractaView Parts". [Sill Adapters \(wizardscreens.com\)](http://wizardscreens.com)

***NOTE:** Sill Adapter standard colours do *not* match VistaView standard colours exactly.



June 14, 2023

Details and Specifications subject to change