



Integrated System

Order Measurements



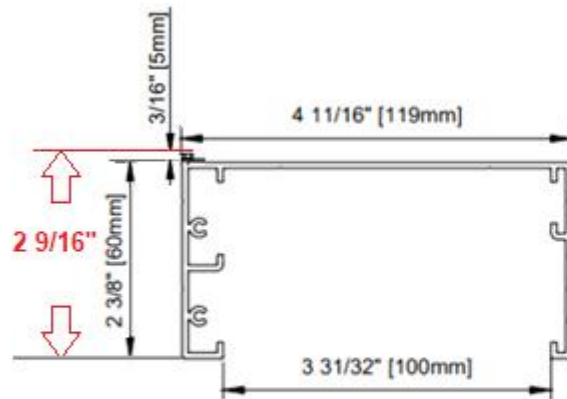
Frames can be:

A) 3-sided – 2 Jambs, Header with Header Insert

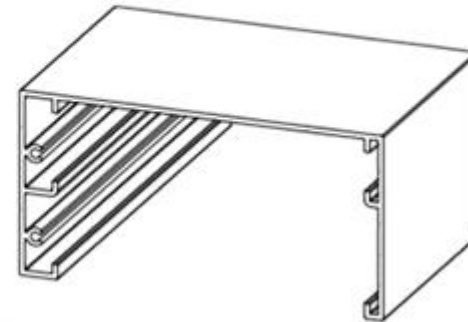
B) 4-sided – 2 Jambs, Header with Header Insert, Sill

The **framed rough opening** should be *minimum ½”* larger than the **4-Sided Integrated Frame Width x Height**

“Top of Frame”
includes the
screw heads



CONCEALED HEADER



Frame *must* be installed **plumb, level, straight, parallel, square, and free of twist.**



1. Illustrations are not to scale.
Drawings .dwg & .dxf: <https://www.wizardscreens.com/technical/>
2. When selecting “Frame and Screen” or “Frame”:
Entering **FRAME *OUTSIDE* DIMENSIONS** will output the following dimensions in 1/16^{ths}:
 - **FRAME *DAYLIGHT OPENING* DIMENSIONS**
 - **SCREEN UNIT DIMENSIONS** (height not shown in illustrations)
3. When selecting “Screen”:
Enter **FRAME *DAYLIGHT OPENING* DIMENSIONS** in the following way:
 - a) **WIDTH** = round **UP** to the nearest **INCH**
 - b) **HEIGHT** of “**FRAME *DAYLIGHT OPENING***”

The Horizon Integrated System will only be warrantied and supported for interior applications - *NOT* exterior!

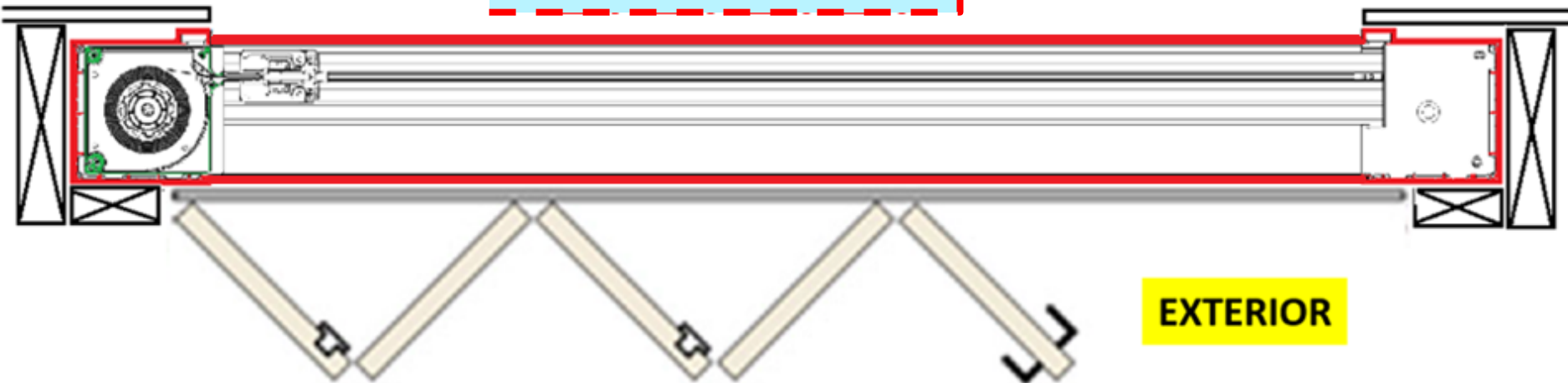


Orientation of **screen** and **frame** in relation to the door.

BIRD'S EYE VIEW

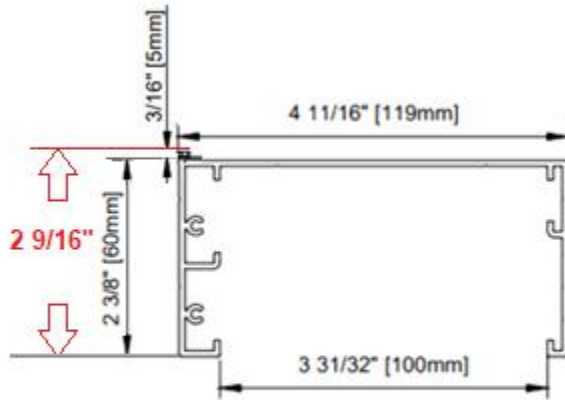
INTERIOR

EXTERIOR

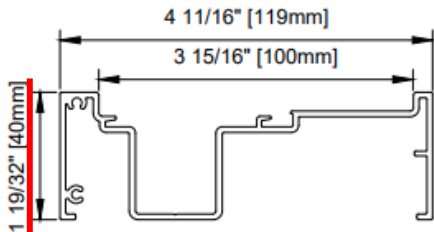




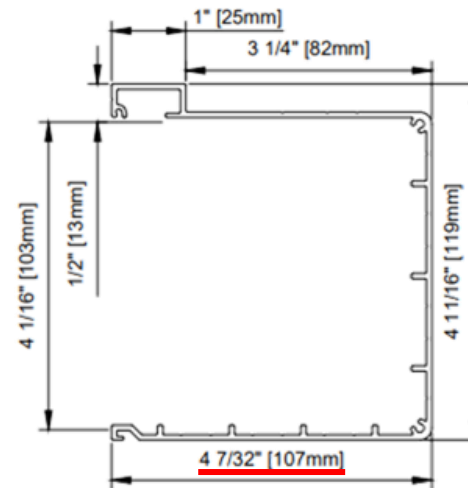
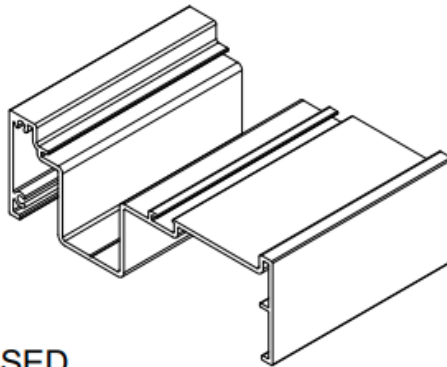
**“Top of Frame”
includes the
screw heads**



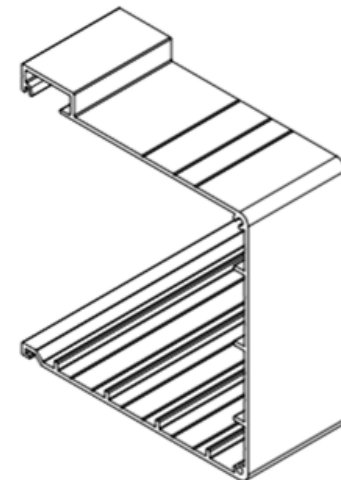
CONCEALED HEADER



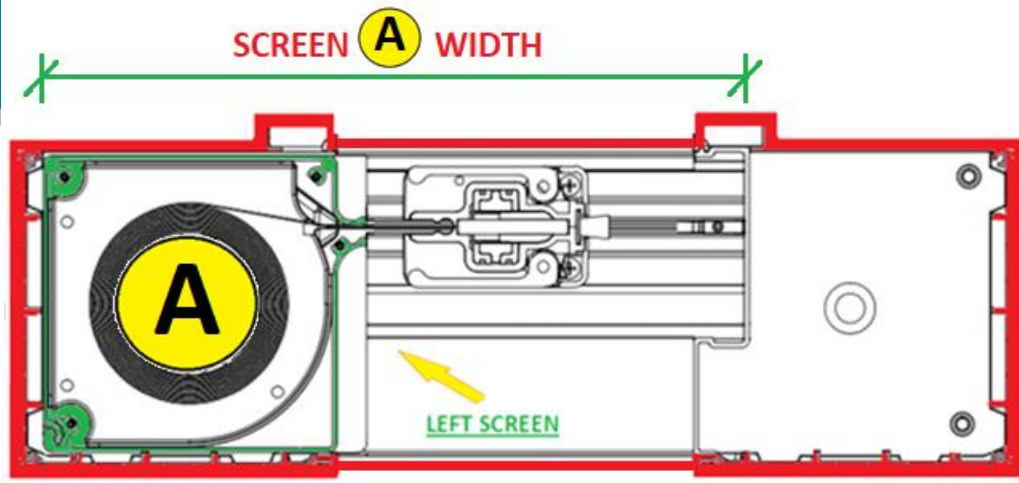
CONCEALED SILL RAISED



CONCEALED JAMB

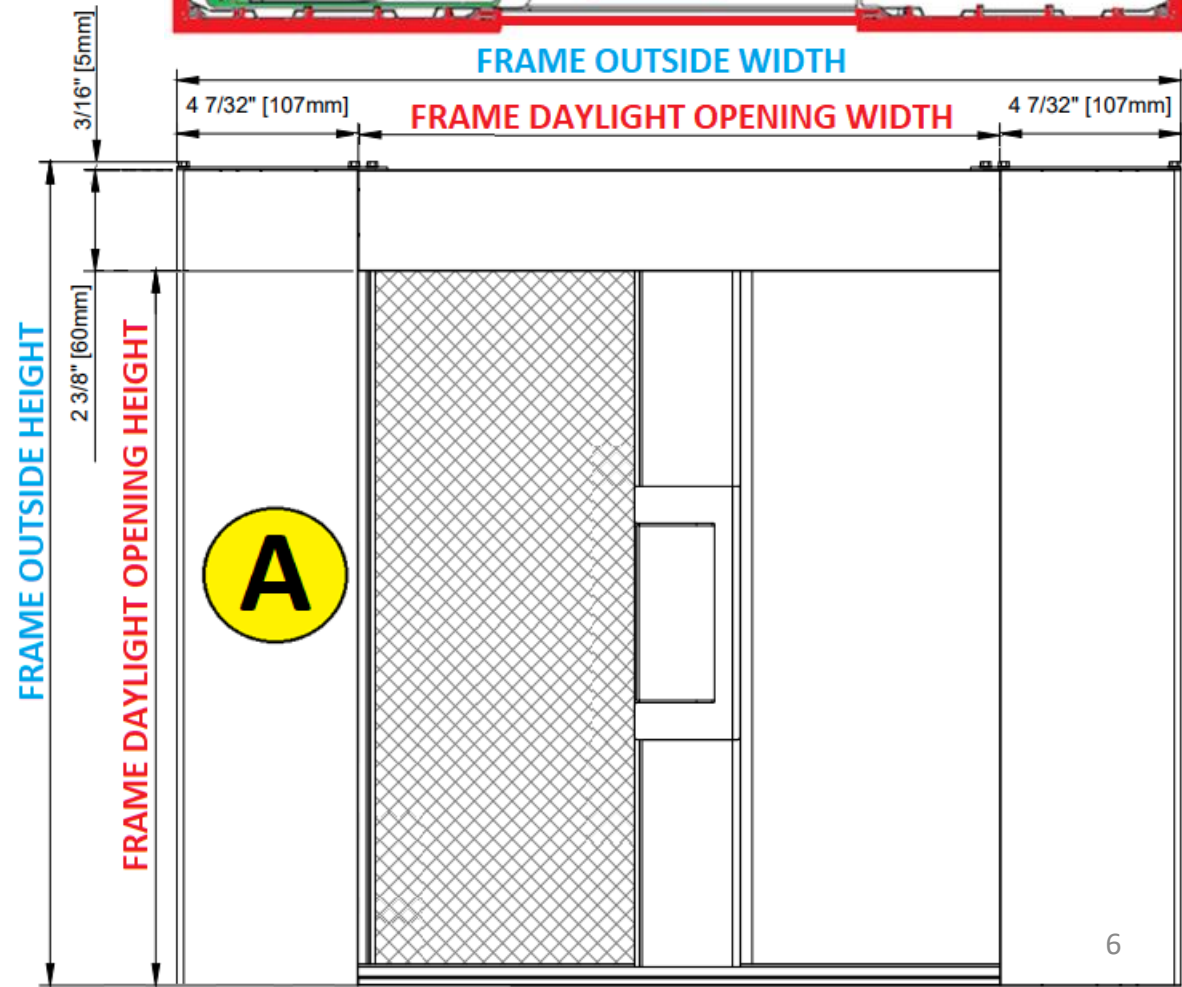


BIRD'S EYE VIEW

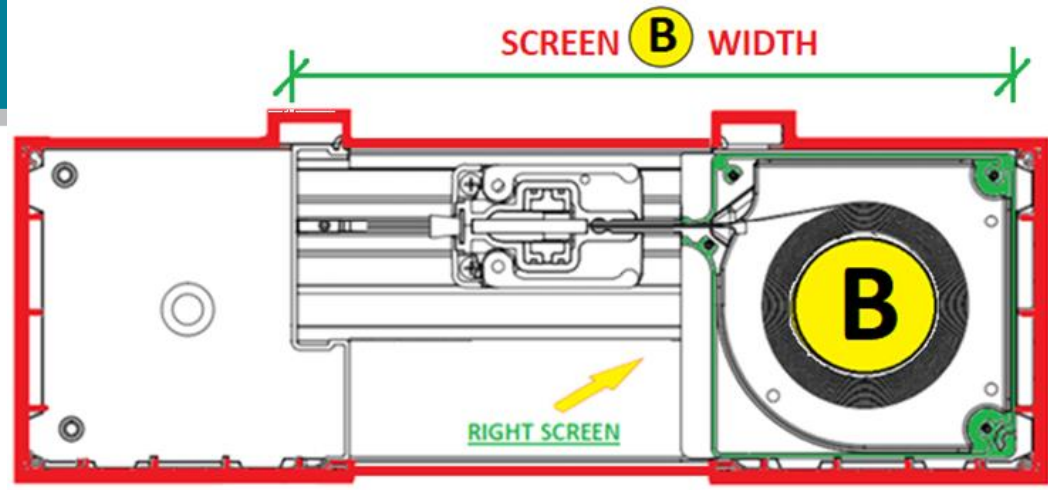


3-SIDED FRAME
Position **"A"**

ELEVATION VIEW

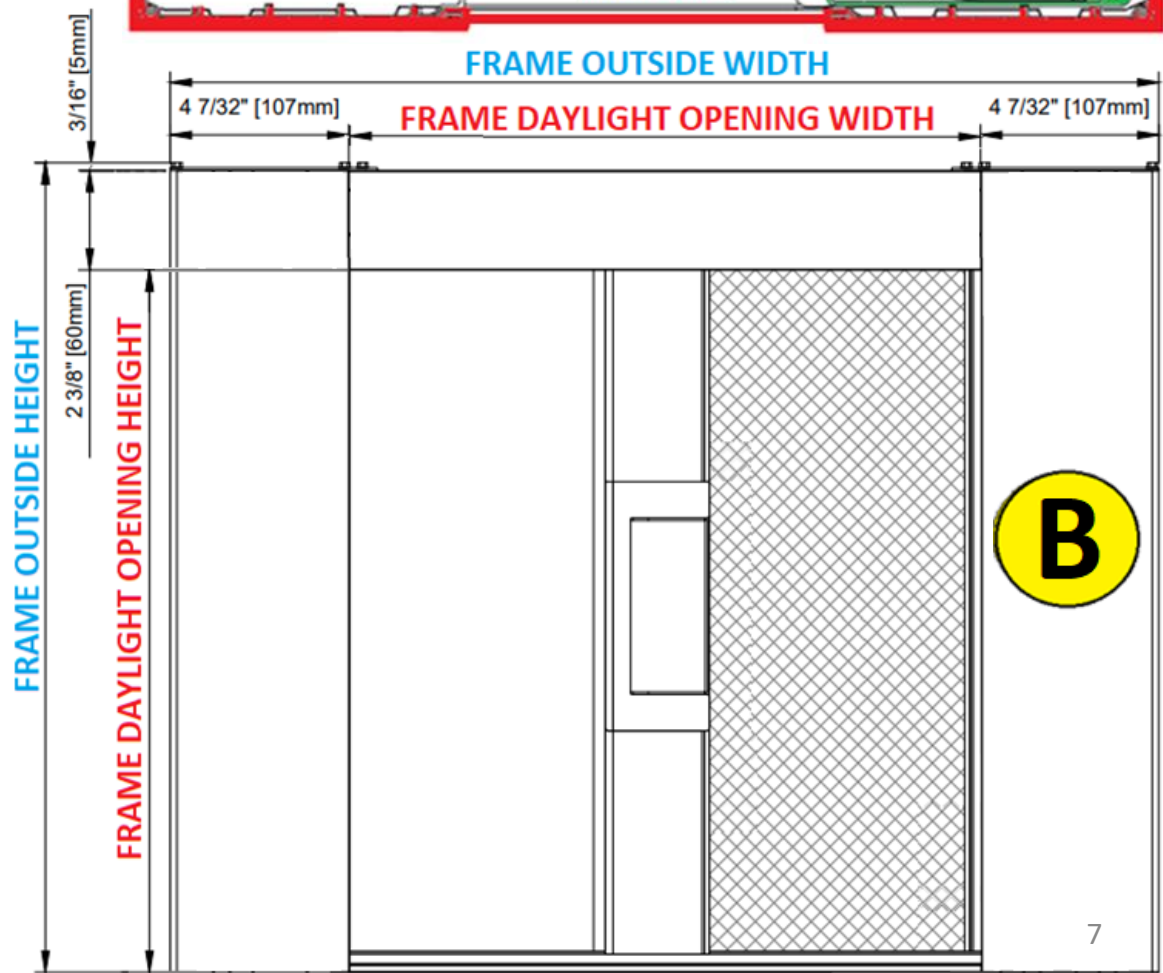


BIRD'S EYE VIEW

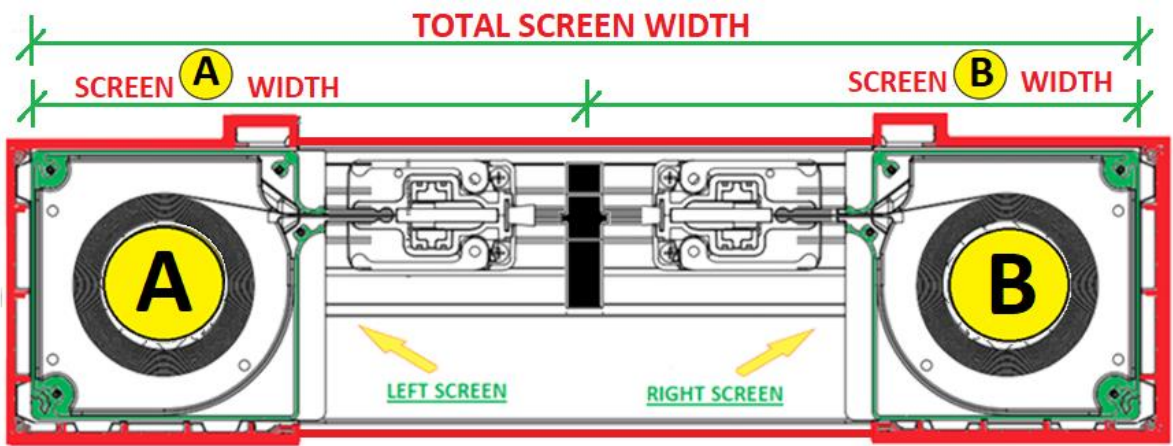


3-SIDED FRAME
Position "B"

ELEVATION VIEW



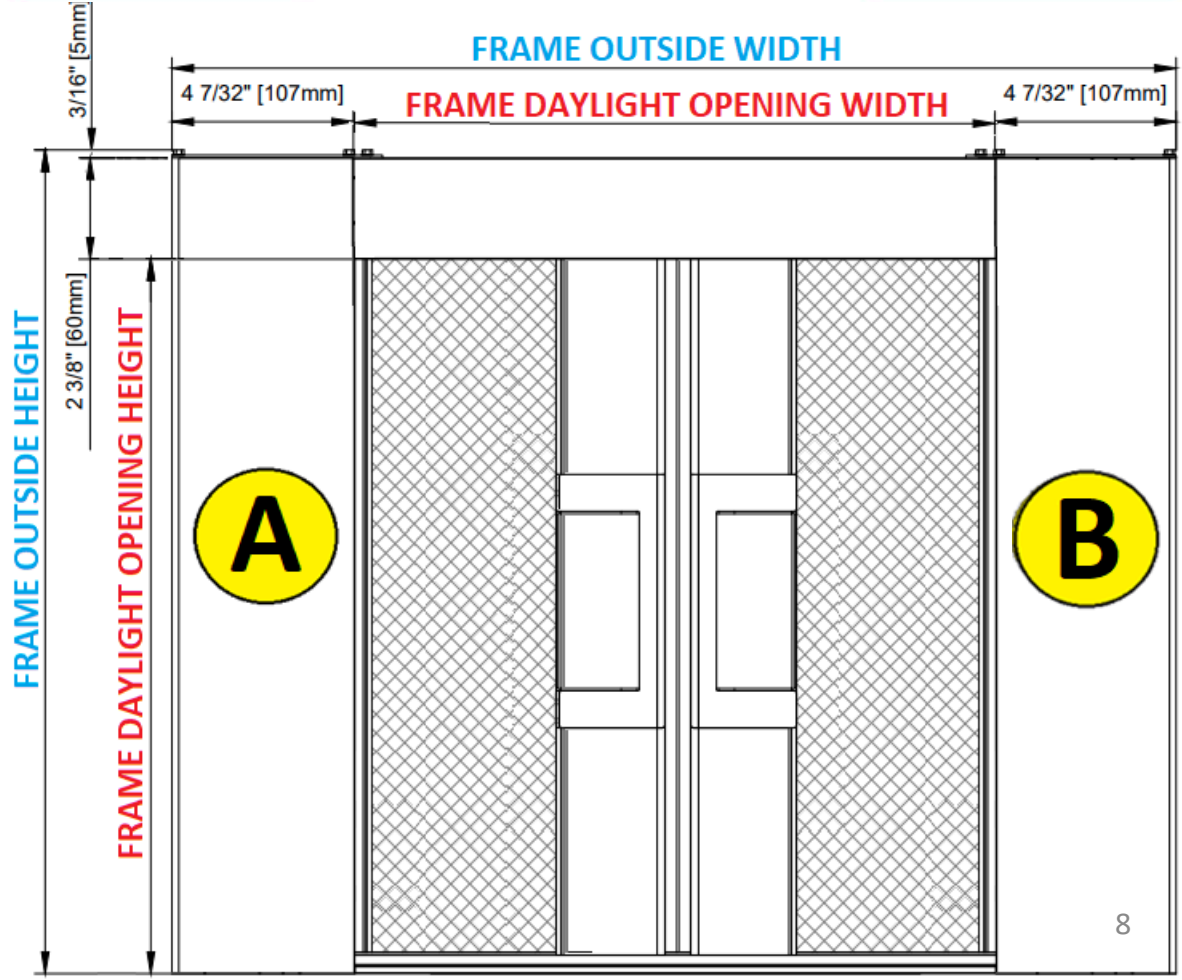
BIRD'S EYE VIEW



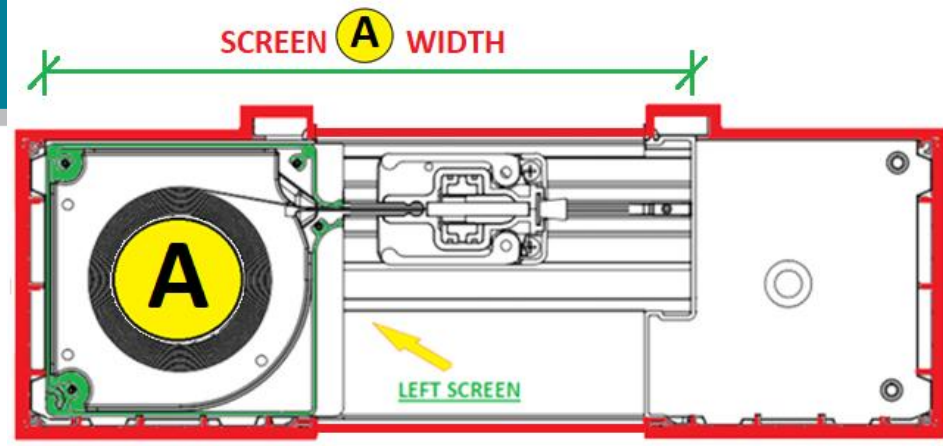
3-SIDED FRAME
Position **“DOUBLE”**

Pullbars meet in the middle

ELEVATION VIEW

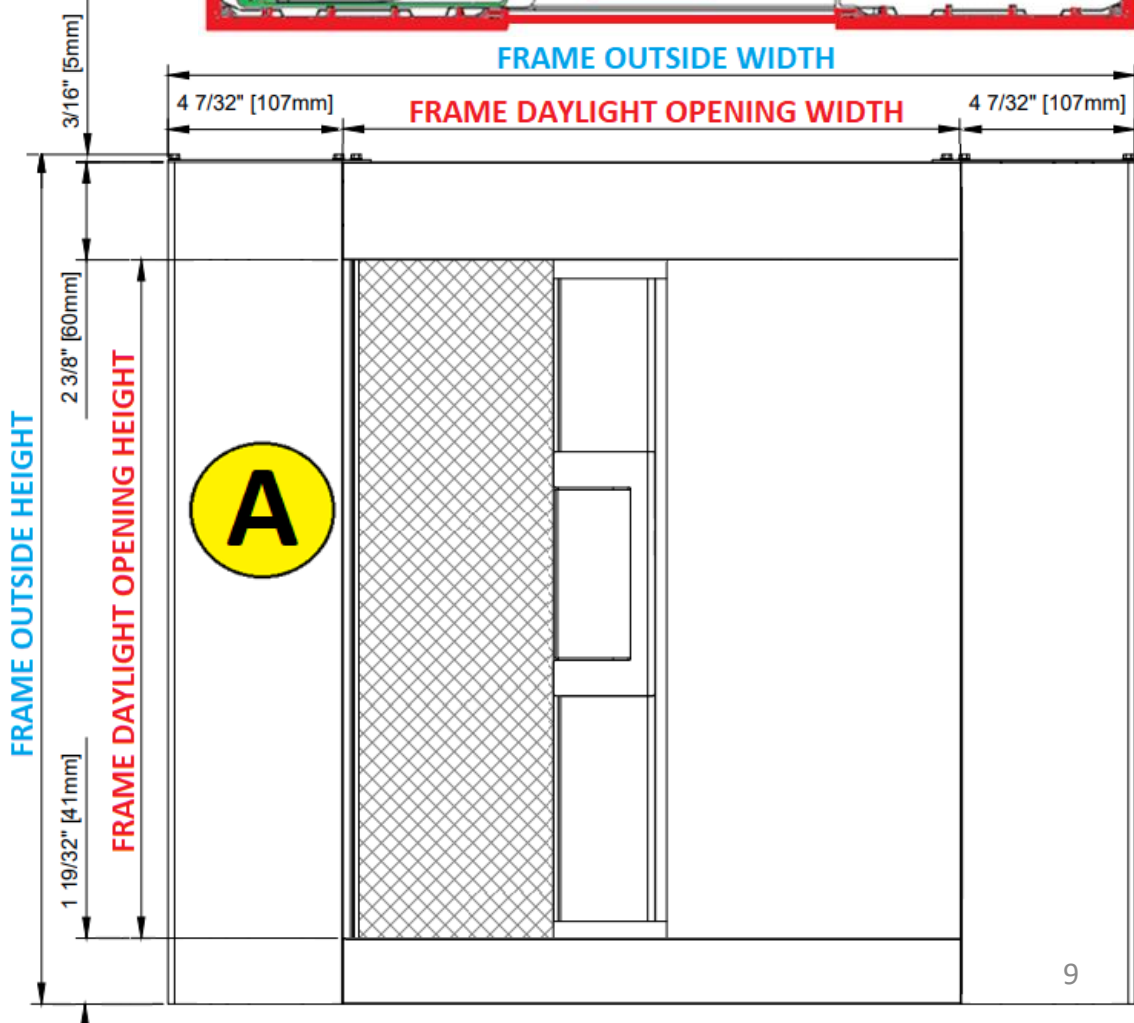


BIRD'S EYE VIEW

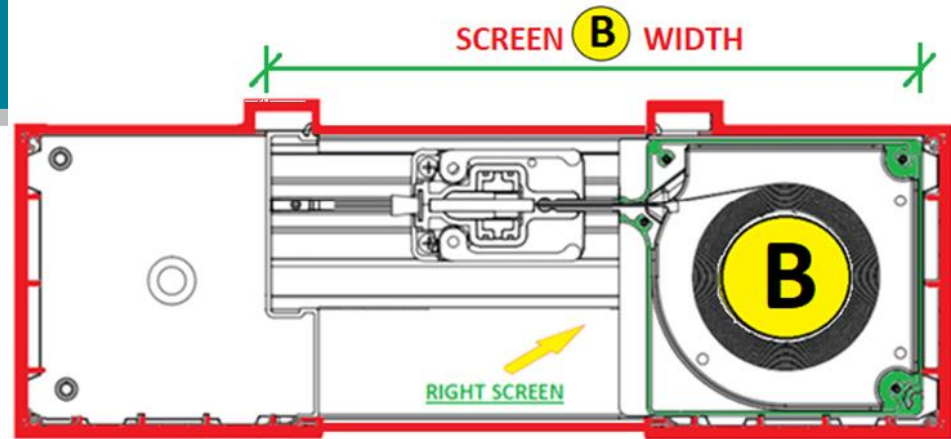


4-SIDED FRAME
Position **"A"**

ELEVATION VIEW

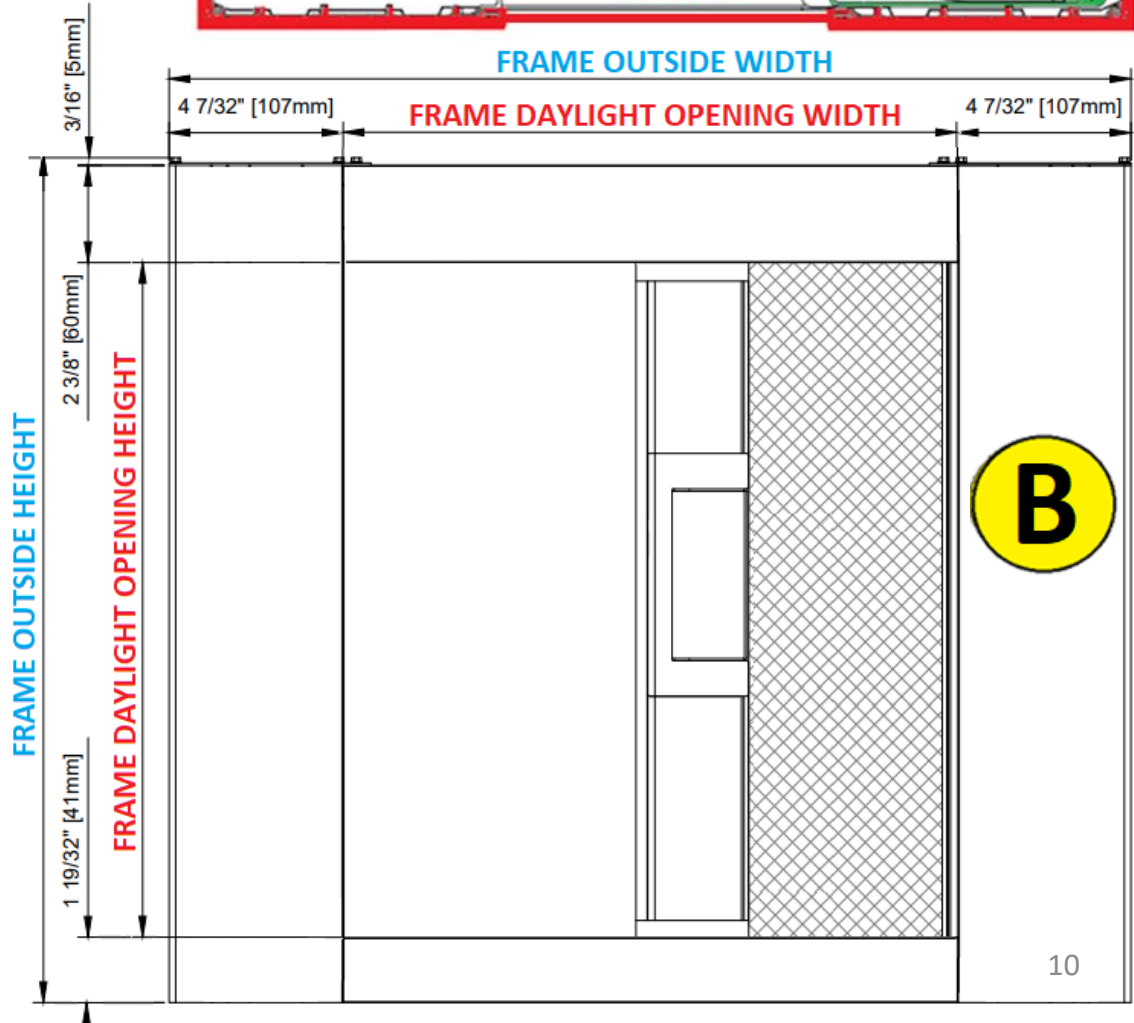


BIRD'S EYE VIEW

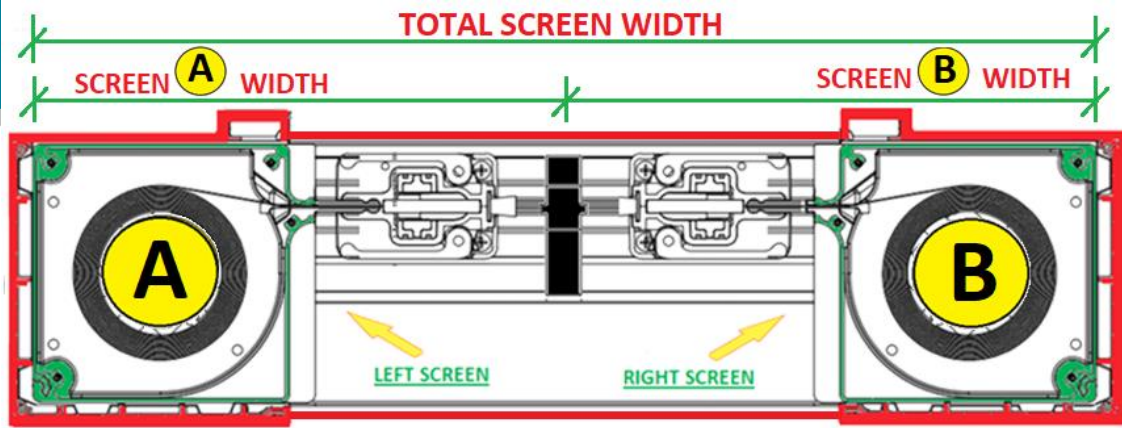


4-SIDED FRAME
Position **"B"**

ELEVATION VIEW



BIRD'S EYE VIEW



4-SIDED FRAME
Position **“DOUBLE”**

Pullbars meet in the middle

ELEVATION VIEW

