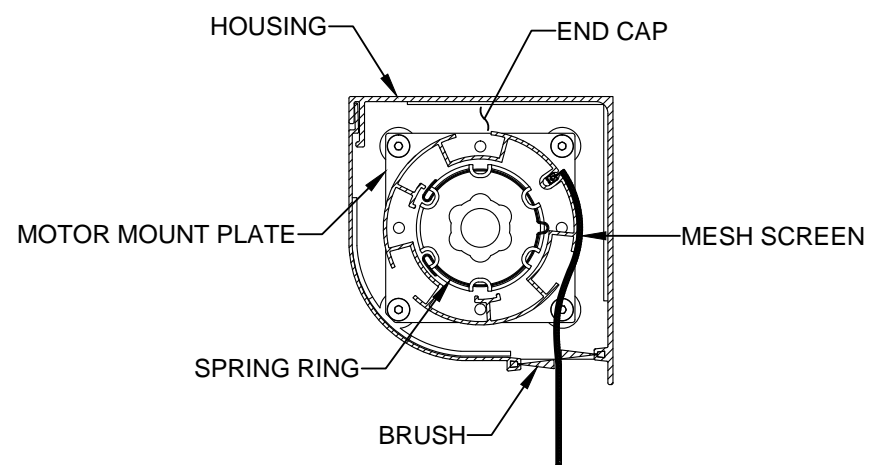
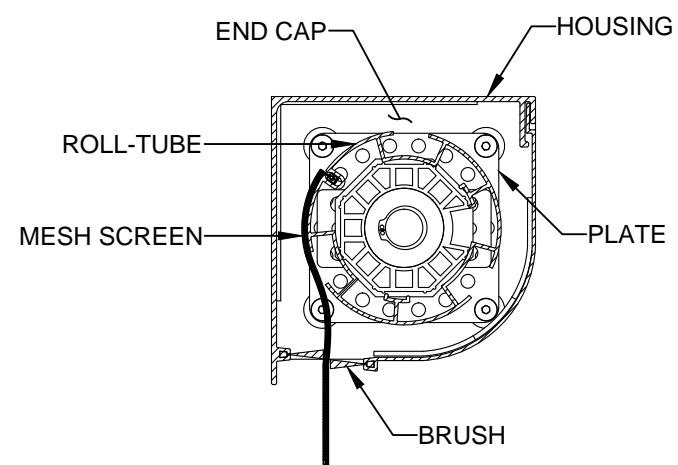


SCREEN ASSEMBLY



SECTION VIEW A



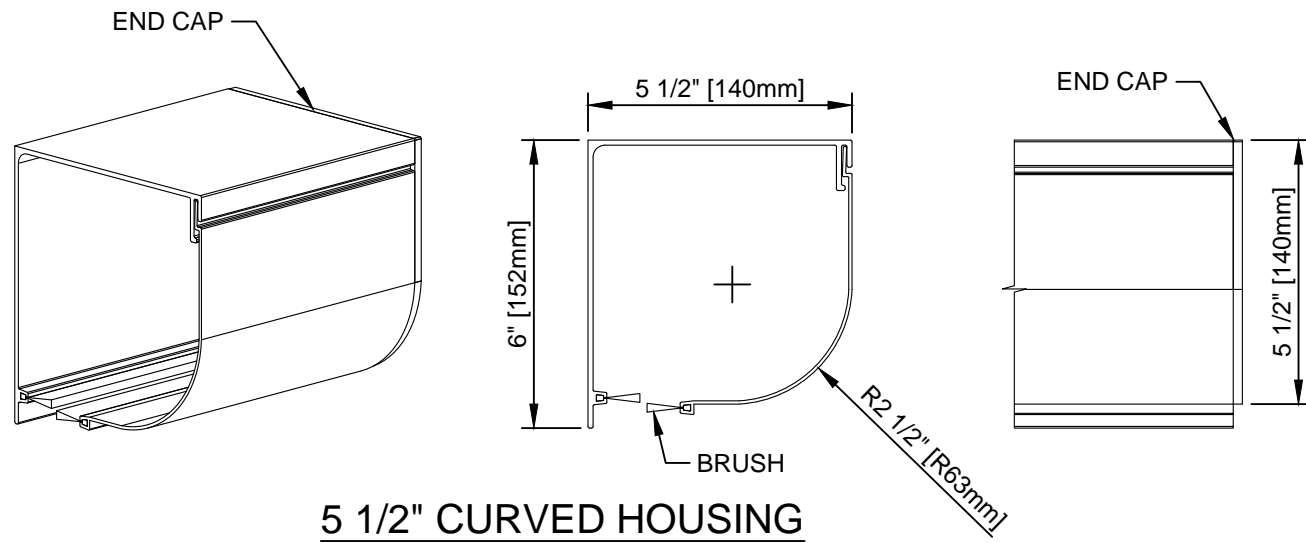
SECTION VIEW B



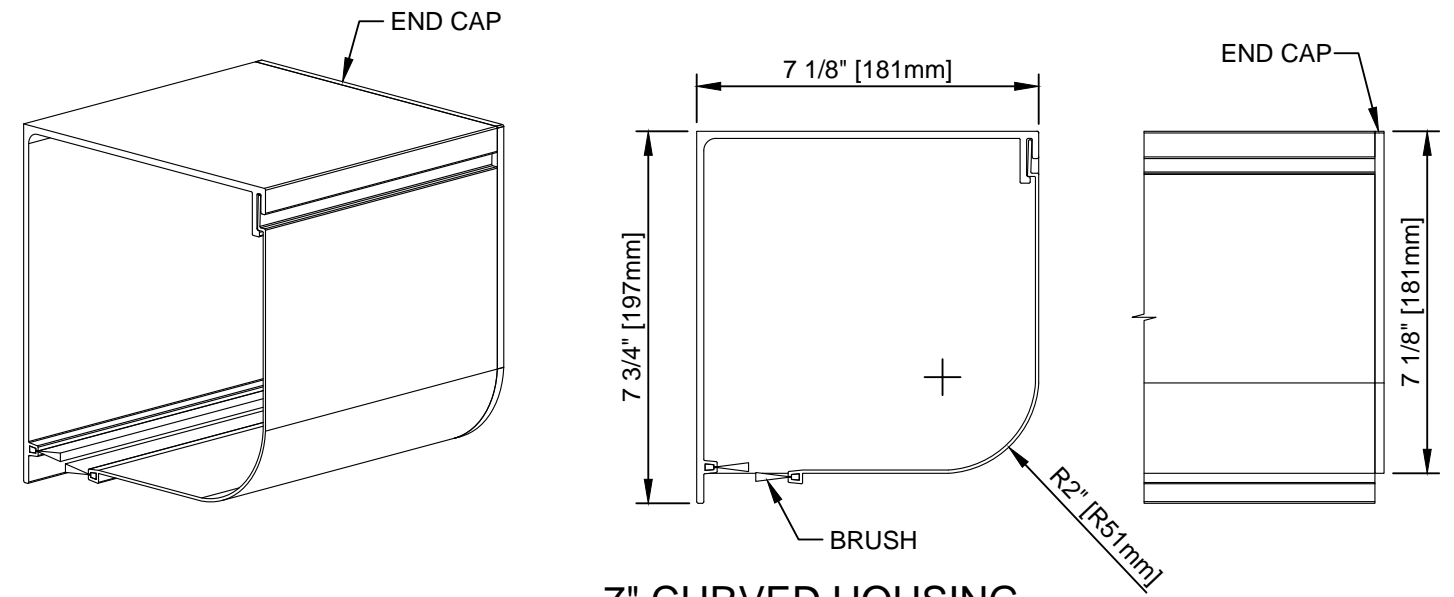
WIZARD INDUSTRIES INC.
 4263 PHILLIPS AVENUE
 BURNABY, BC
 V5A 2X4

SMARTSCREEN MOTORIZED
 PROFILE DETAILS

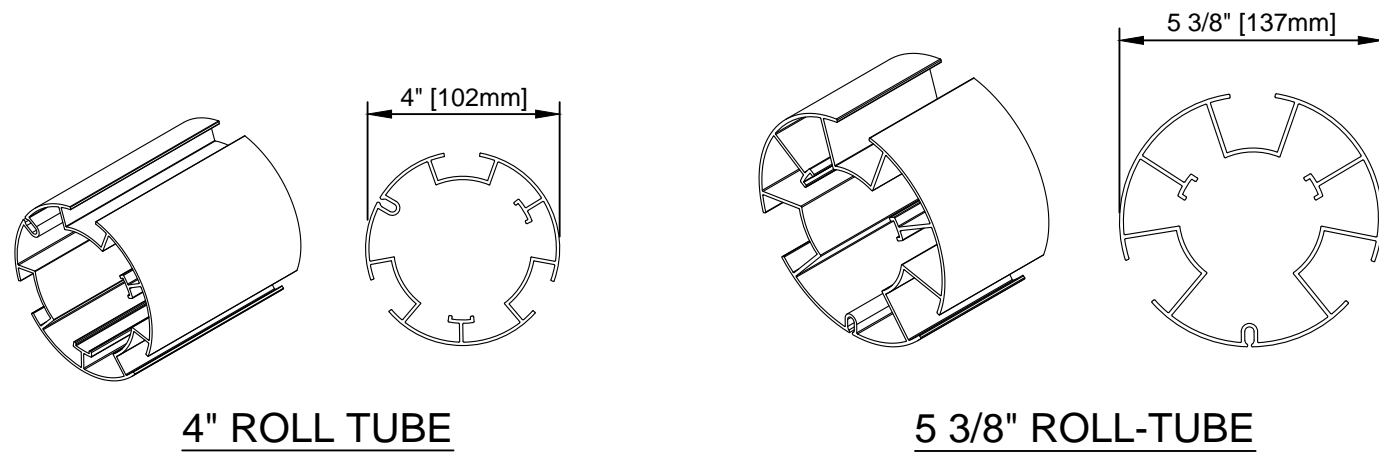
SCALE:
 3" = 1'-0"
 DATE:
 MAR 22 2024
 DWG:
 SM-001



5 1/2" CURVED HOUSING

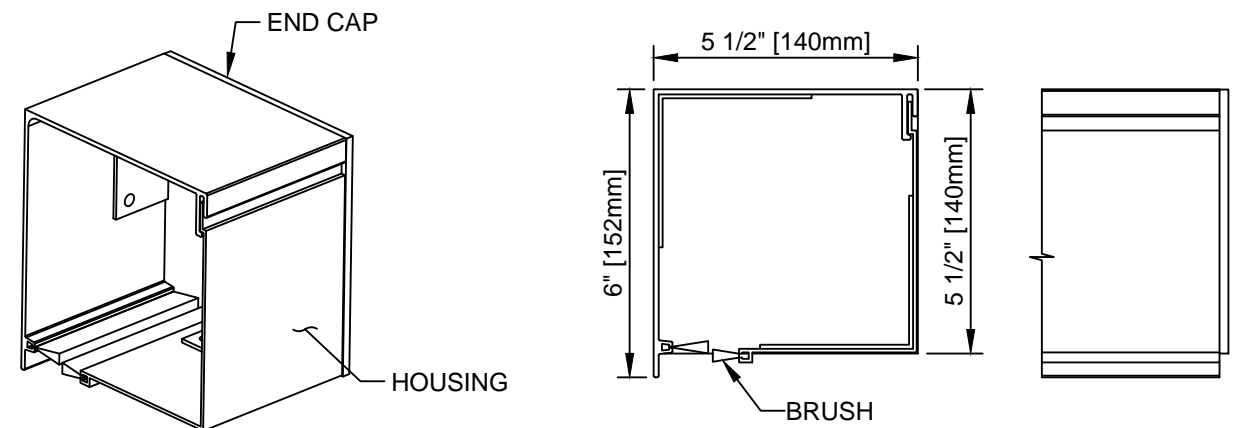


7" CURVED HOUSING

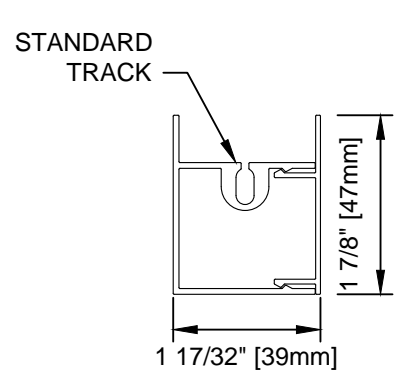


4" ROLL TUBE

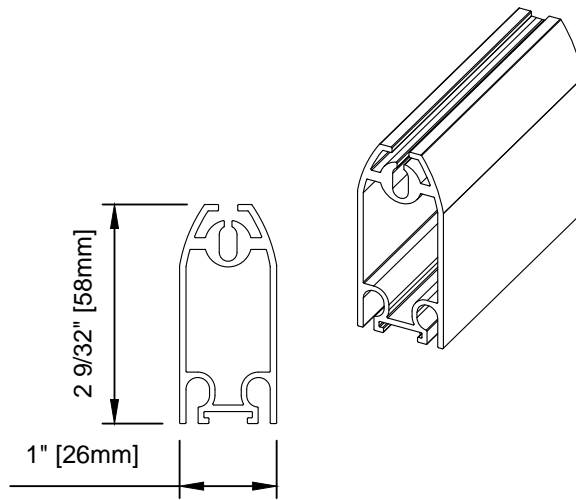
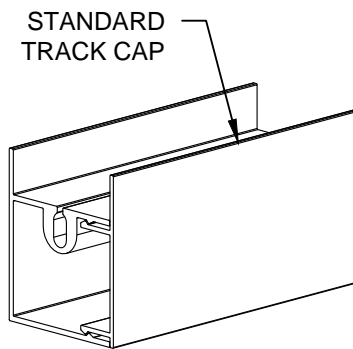
5 3/8" ROLL-TUBE



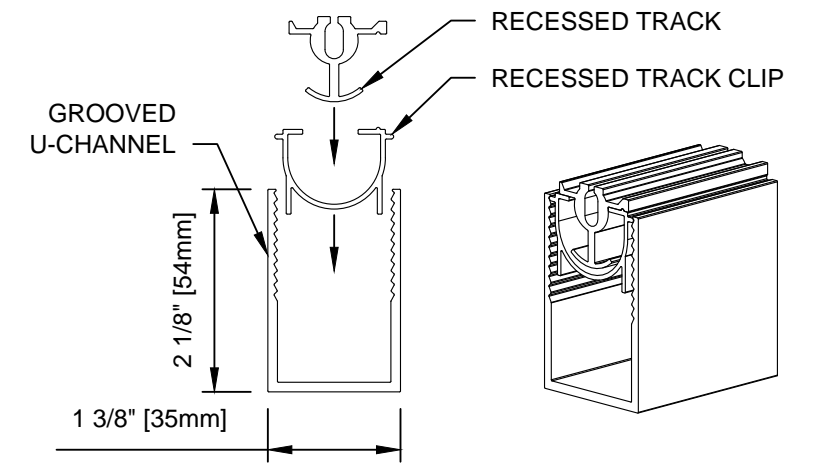
5 1/2" SQUARE HOUSING



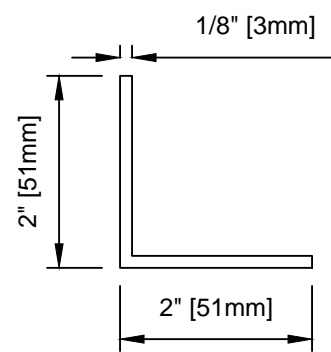
STANDARD TRACK



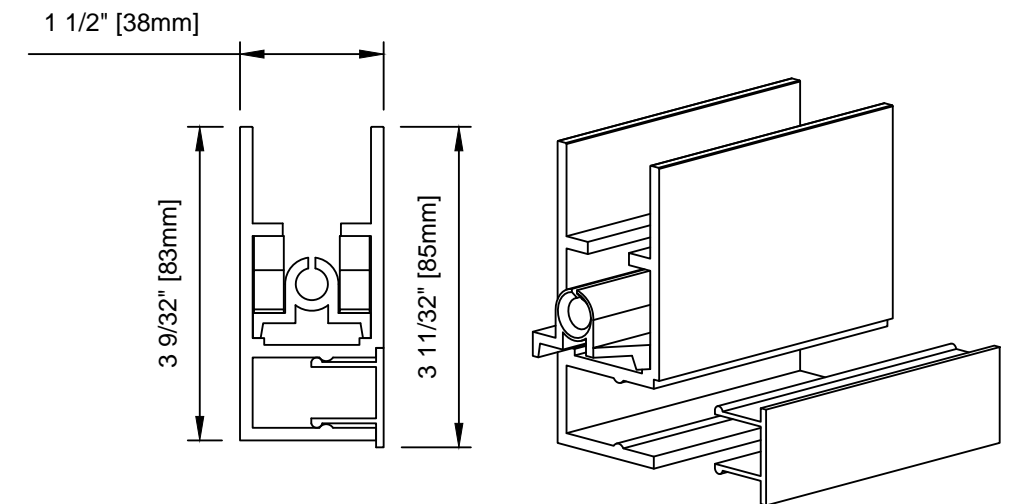
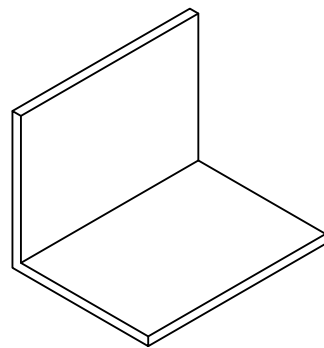
BOTTOM BAR



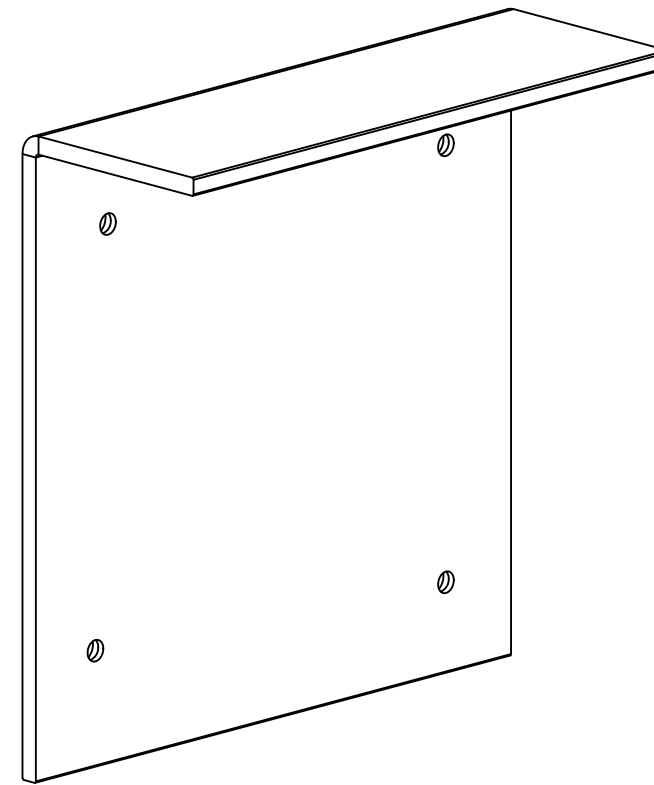
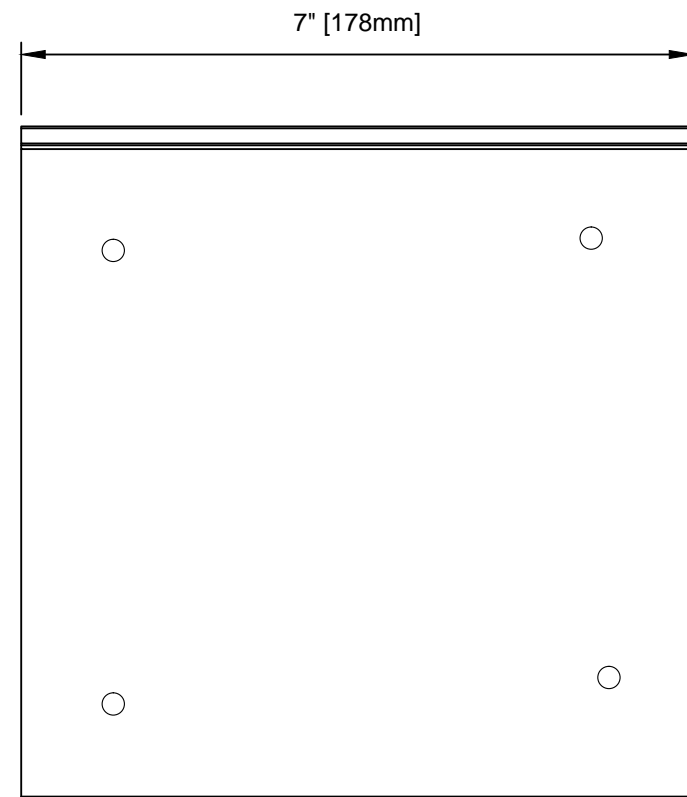
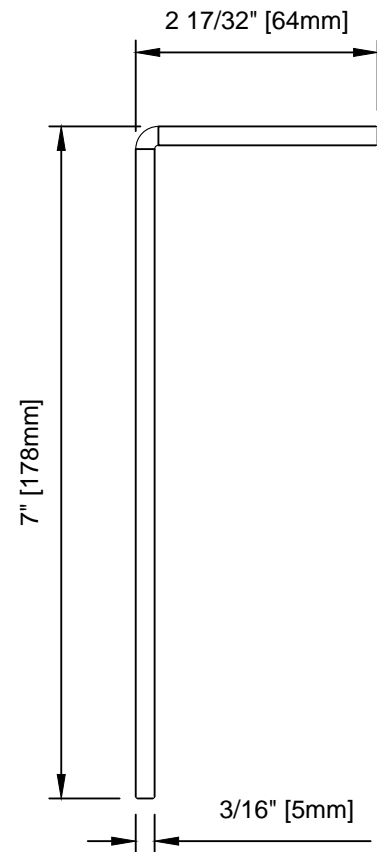
RECESSED TRACK



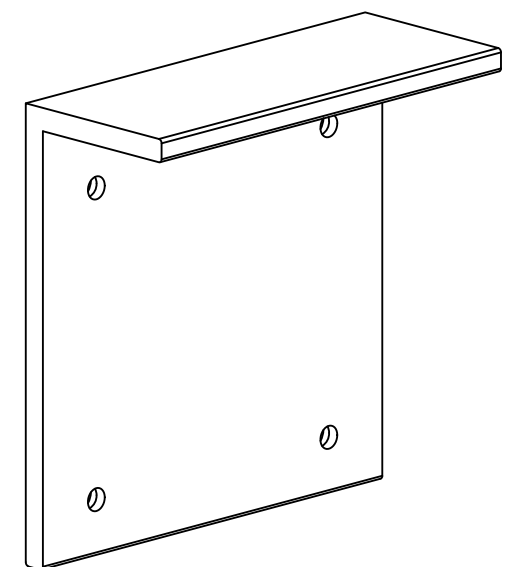
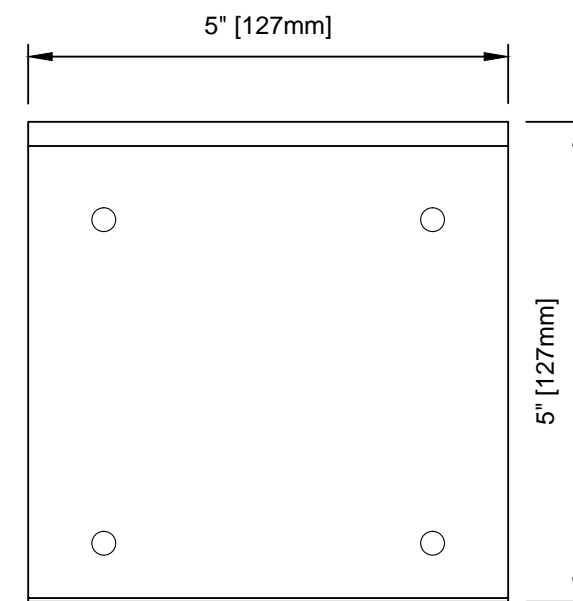
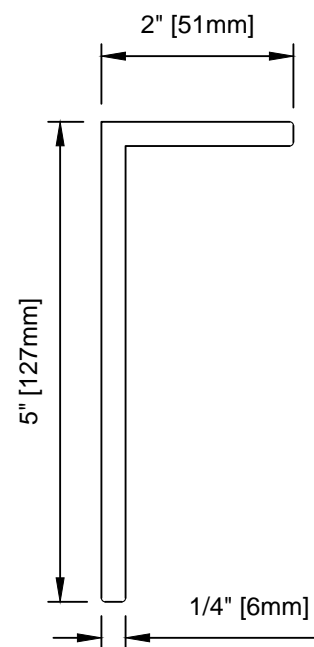
2" x 2" ANGLE CHANNEL



SELF - ADJUSTING TRACK



7" RECESS BRACKET



5" RECESS BRACKET



WIZARD INDUSTRIES INC.
 4263 PHILLIPS AVENUE
 BURNABY, BC
 V5A 2X4

SMARTSCREEN MOTORIZED
 RECESS BRACKETS DETAILS

SCALE:
 6"=1'-0"
 DATE:
 MAR 22 2024
 DWG:
 SM-005