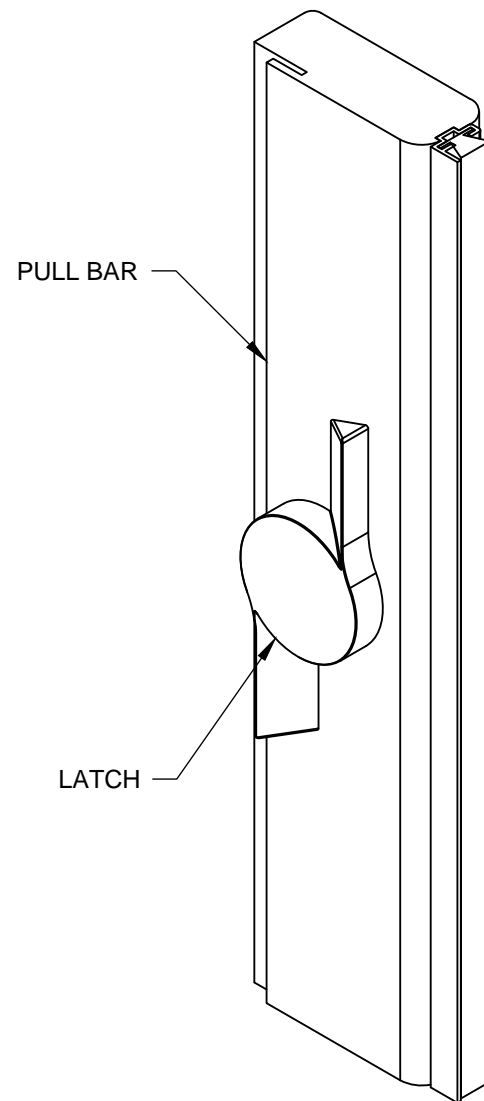
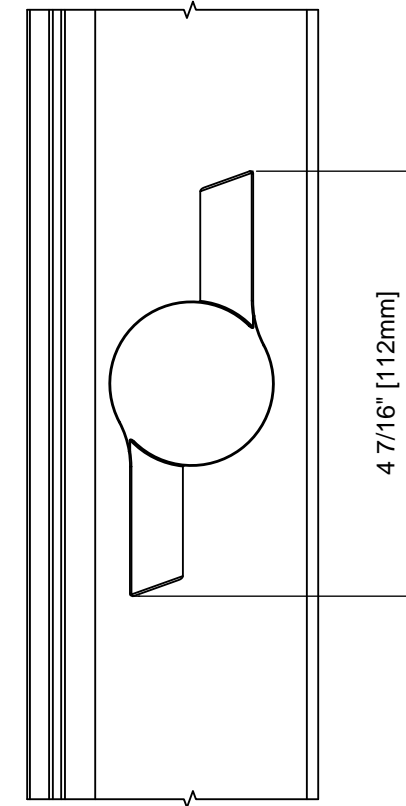
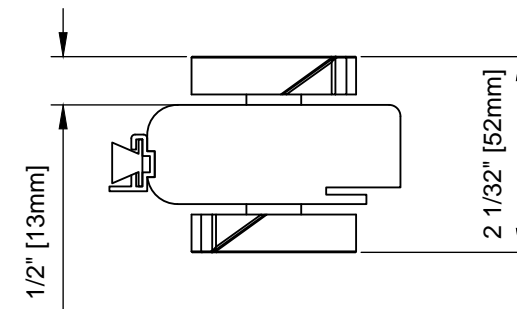


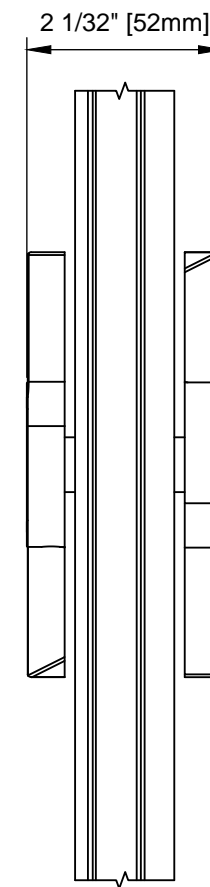
HANDLE



ISOMETRIC VIEW

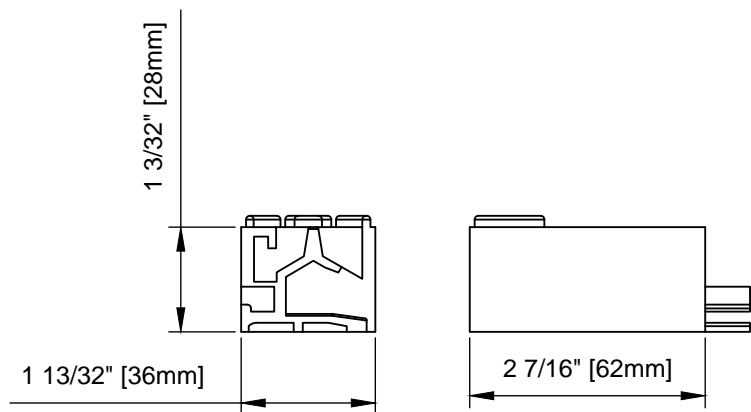


FRONT ELEVATION



SIDE ELEVATION

HANDLE



SINGLE LATCH

