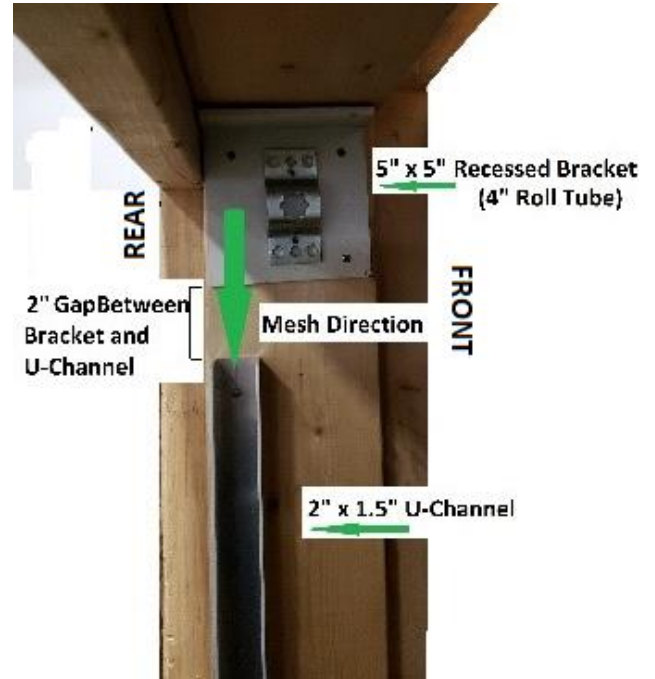
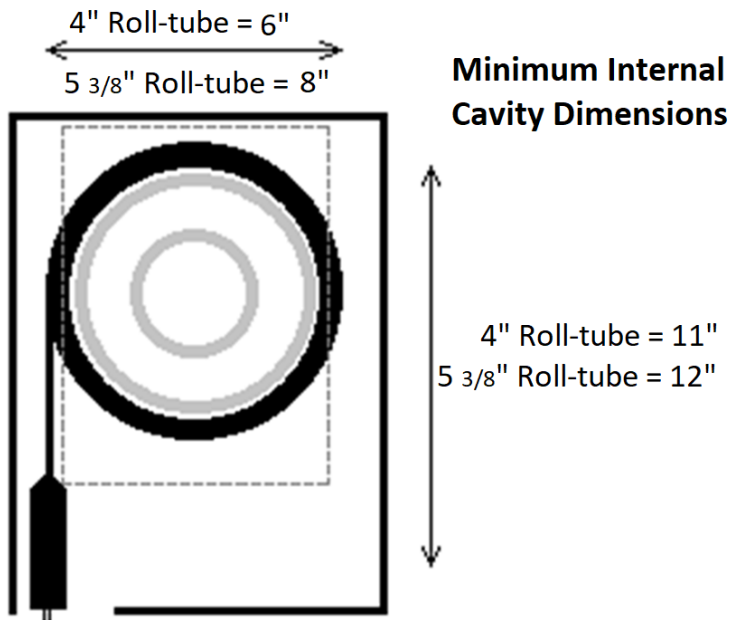
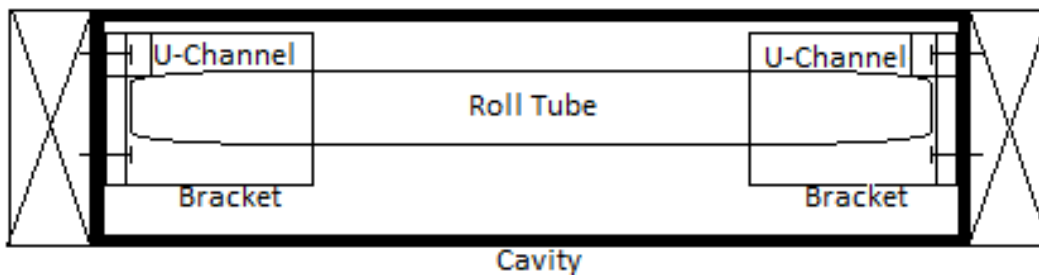


Recessed Cavity Considerations



Birds-Eye View of Cavity

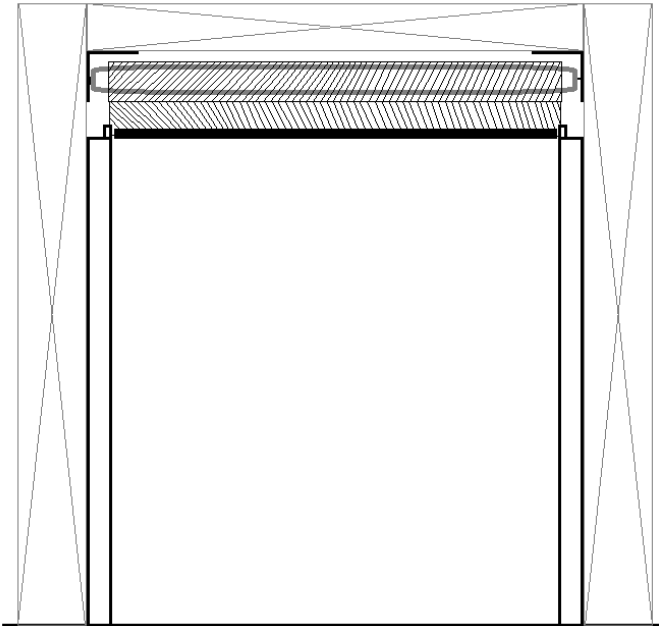


- U-channels aligned with back and rear of brackets.
- Cavity width \geq **Order Width**

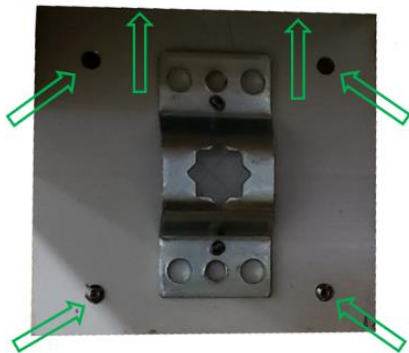
Cavity must allow rolled screen to be:

1. Serviceable
2. Removable
3. Functional without impediments

Front-View of Recessed Screen
(screen rolling furthest away from you)



Bracket Orientations and Fixture Points



Removable Access Panel

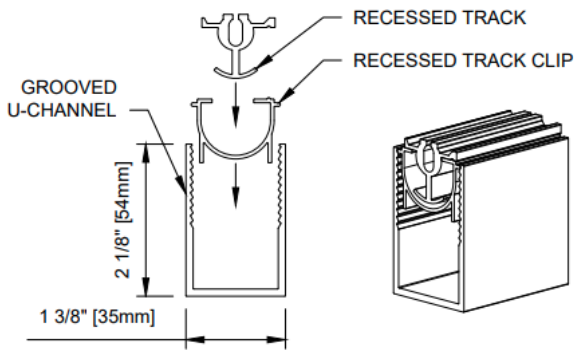
A removable access panel may be built to further hide the rolled screen.

U-channels

U-channels can be immediately affixed or nominal 2x lumber can be temporarily affixed and exchanged with u-channels at appropriate time.

*Stone veneer consideration

At the top 4', the veneer must *not* project beyond the edge of the U-channel. Room is required to fit the rolled screen.



RECESSED TRACK

