

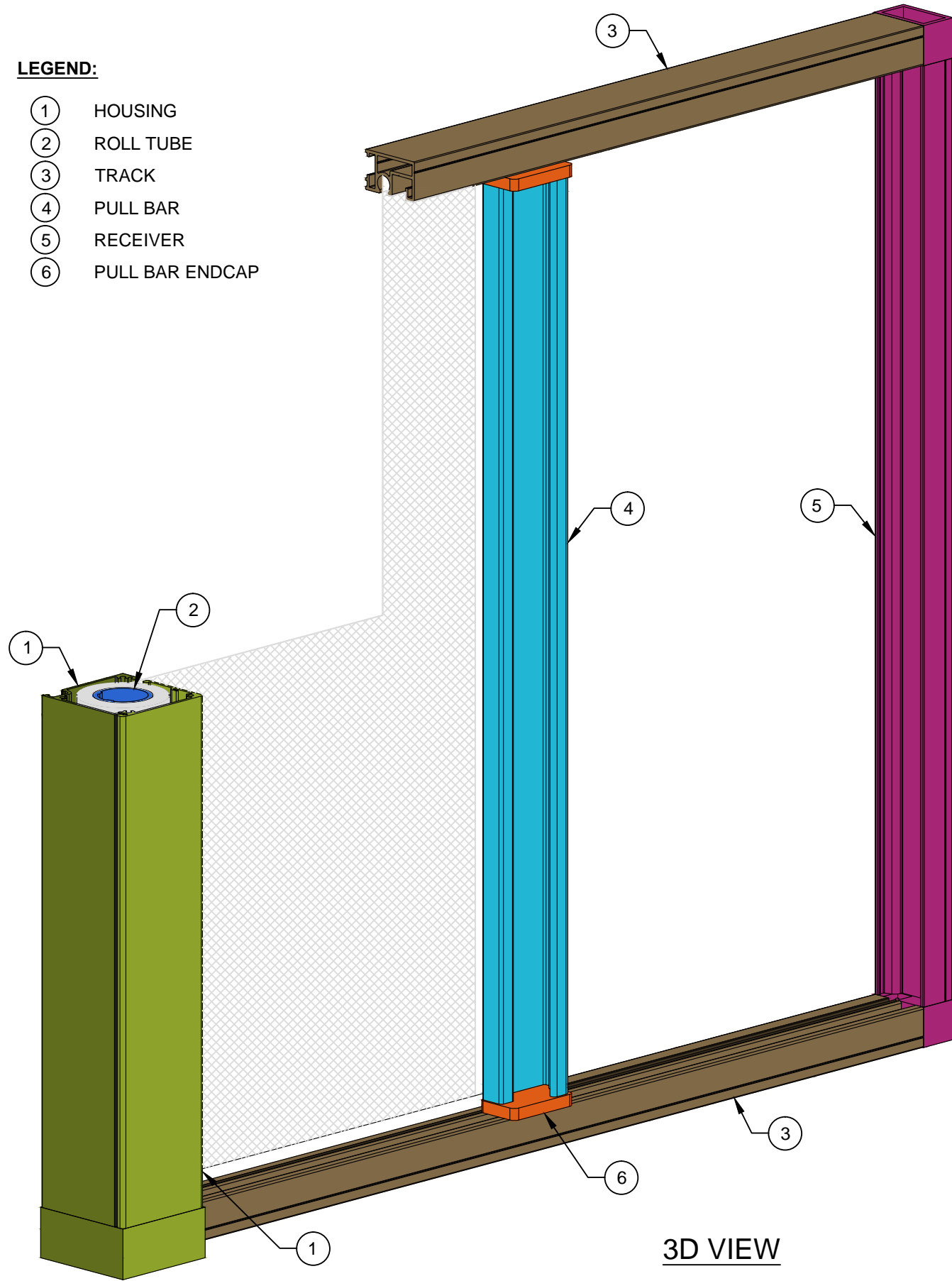
**WIZARD INDUSTRIES INC.**  
 4263 PHILLIPS AVENUE  
 BURNABY, BC  
 V5A 2X4

**BETTERVIEW**  
 PROFILE DETAILS

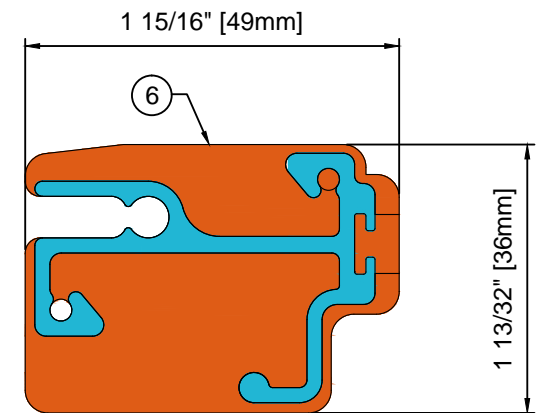
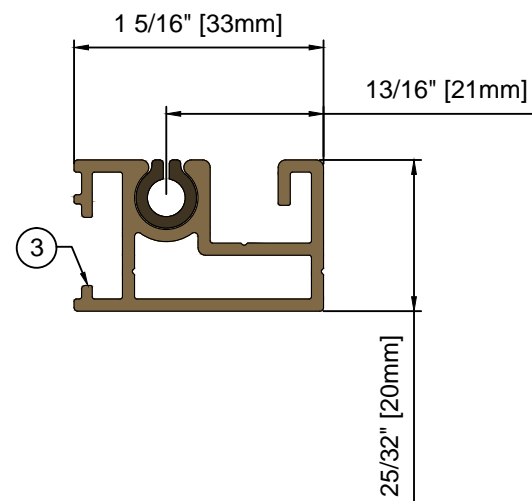
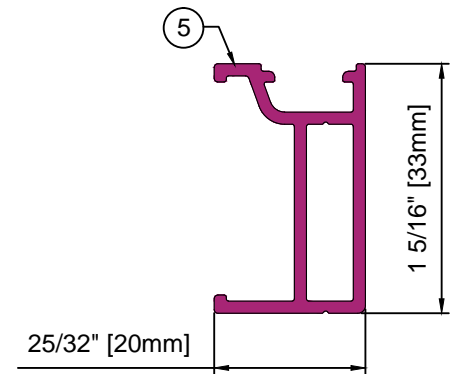
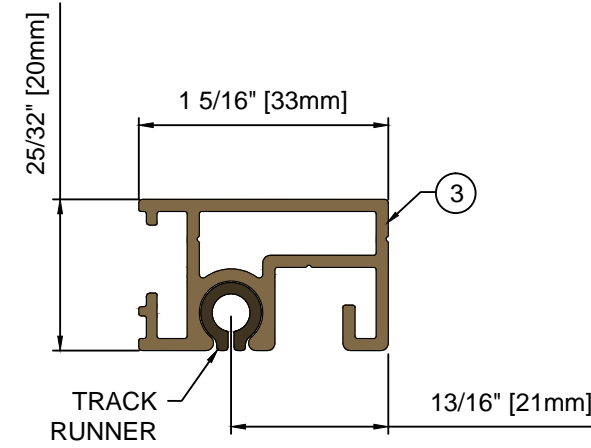
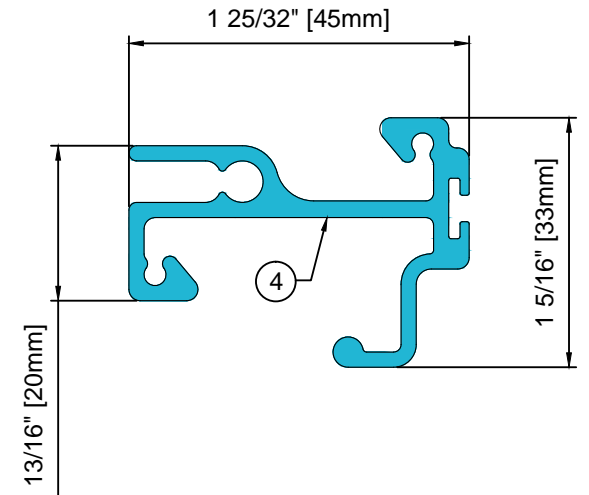
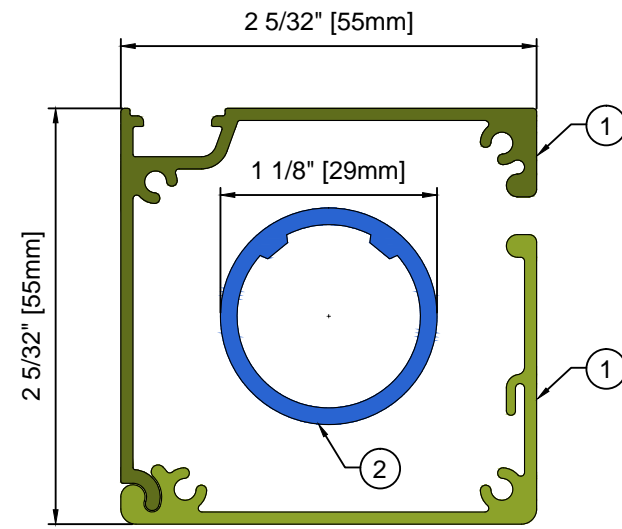
SCALE:  
 1:3  
 DATE:  
 MARCH 19 2024  
 DWG:  
 BV-001

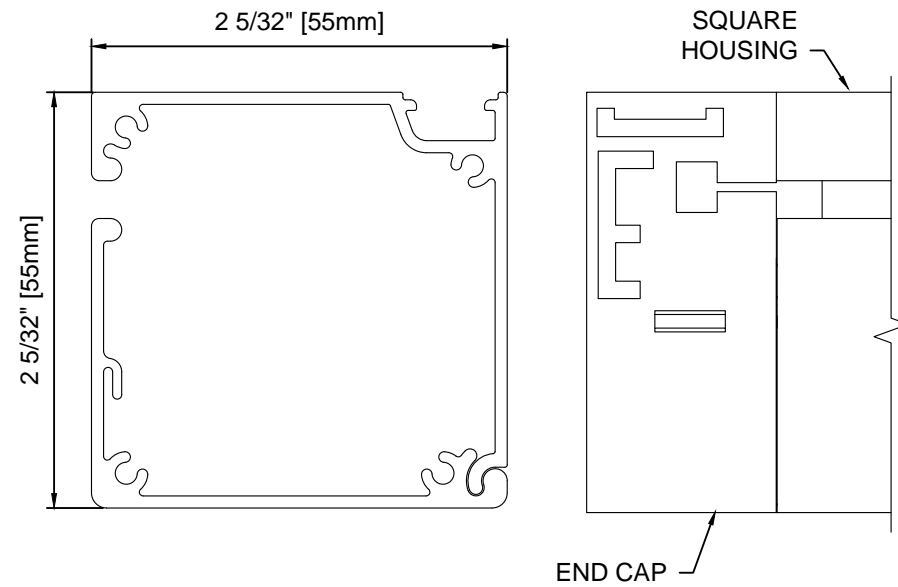
**LEGEND:**

- ① HOUSING
- ② ROLL TUBE
- ③ TRACK
- ④ PULL BAR
- ⑤ RECEIVER
- ⑥ PULL BAR ENDCAP

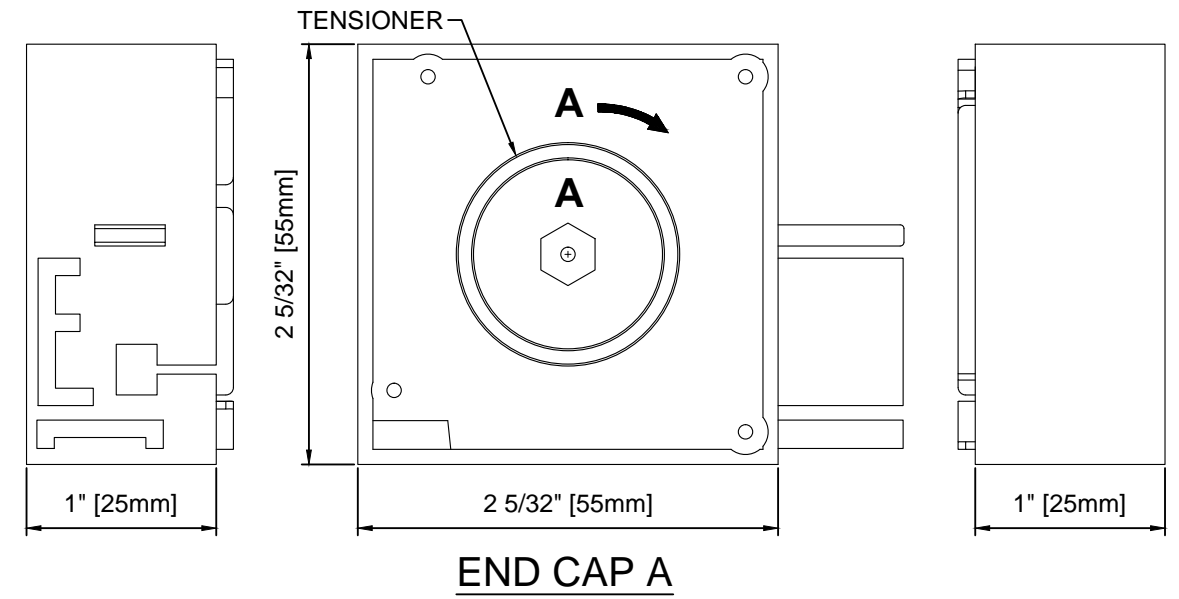


3D VIEW

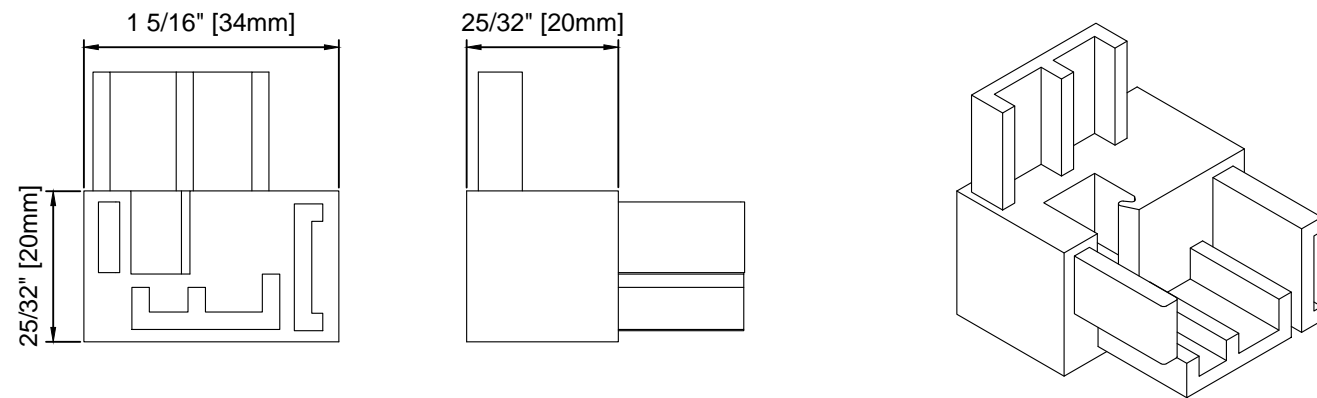




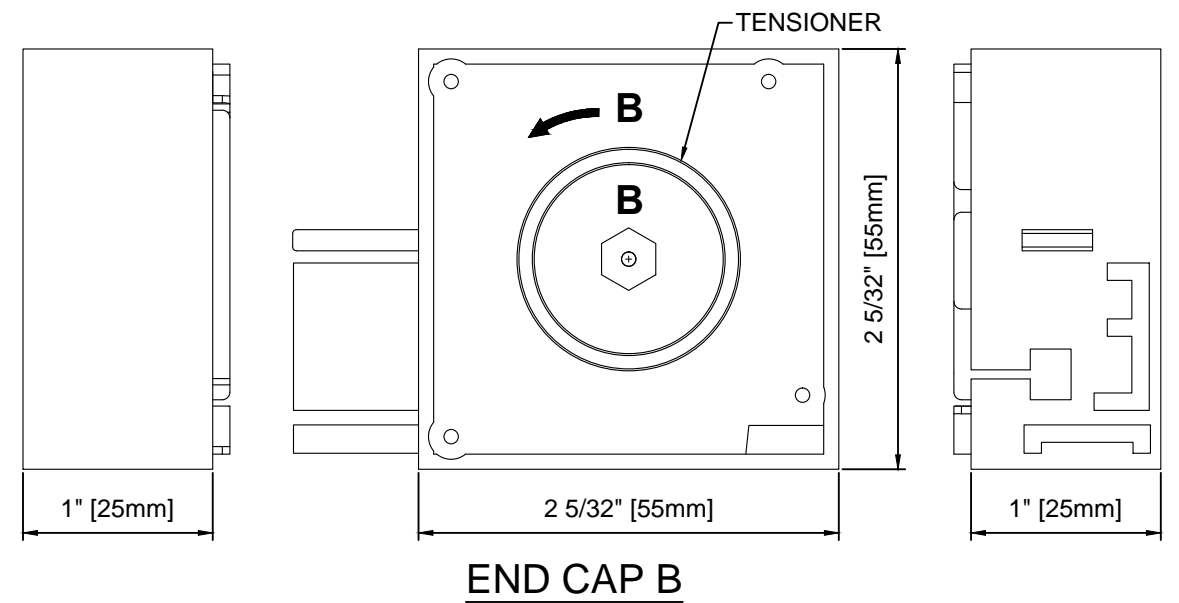
SQUARE HOUSING



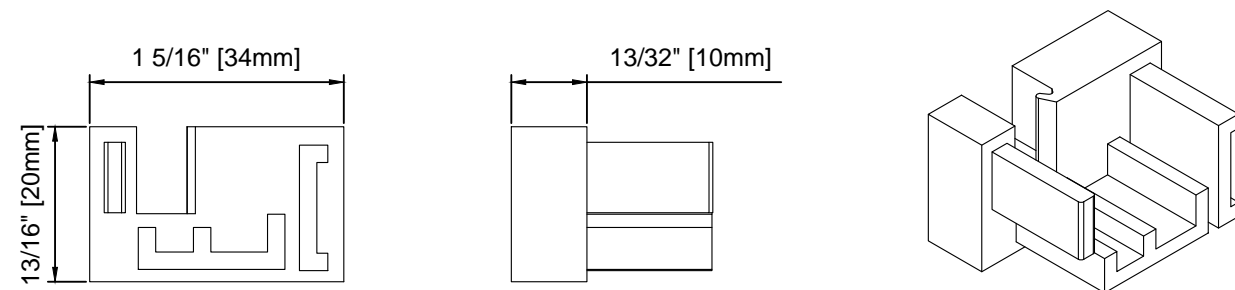
END CAP A



TRACK-TO-RECEIVER JOINER



END CAP B



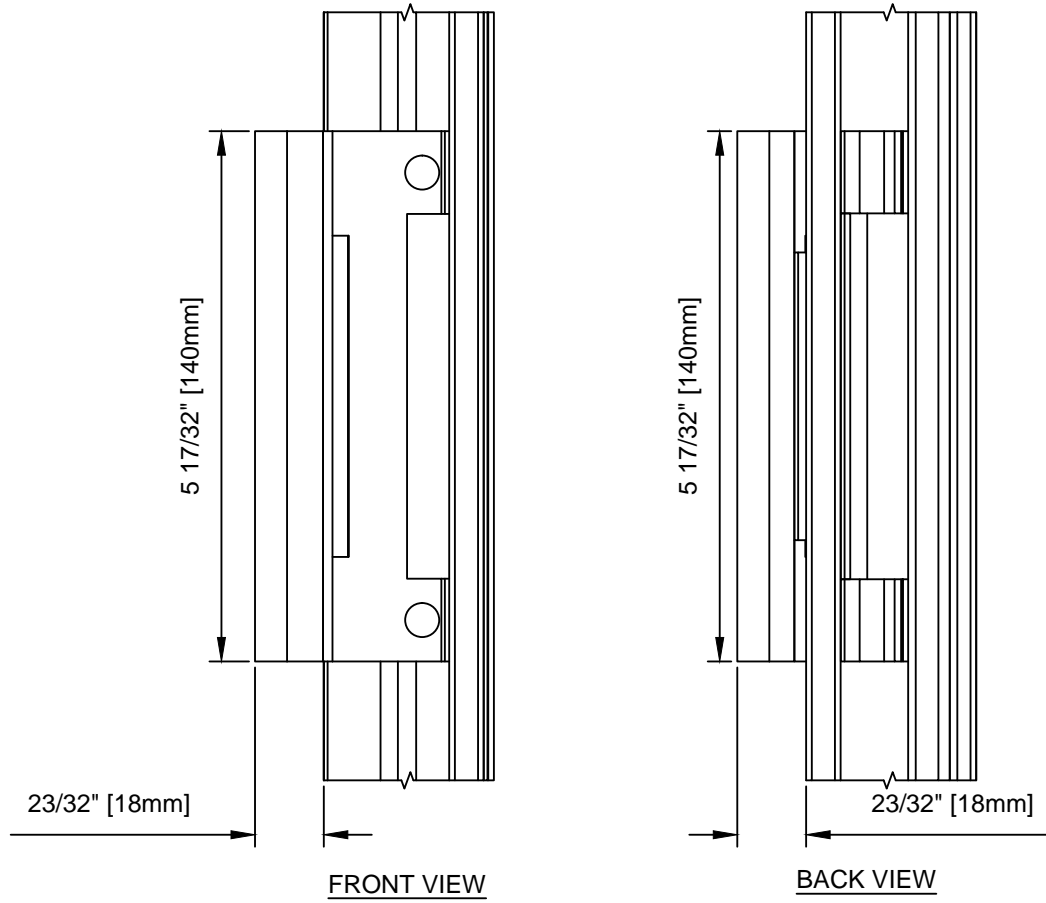
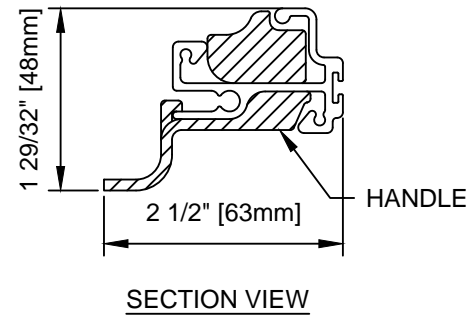
TRACK CAP



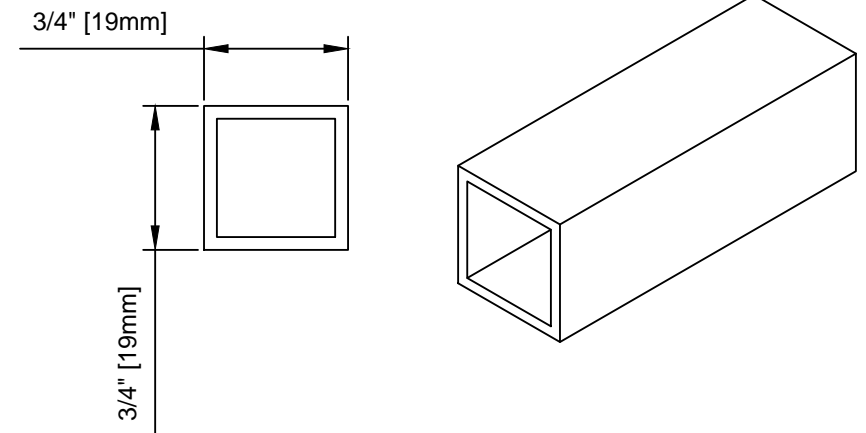
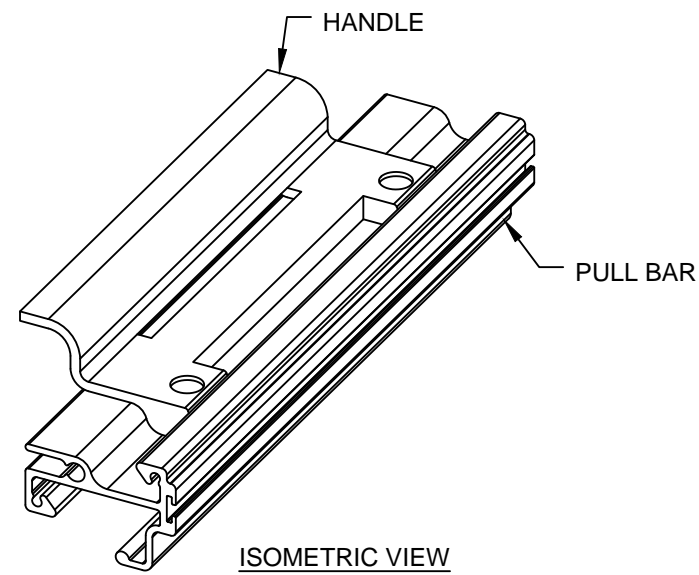
**WIZARD INDUSTRIES INC.**  
 4263 PHILLIPS AVENUE  
 BURNABY, BC  
 V5A 2X4

**BETTERVIEW**  
 55mm STANDARD PARTS

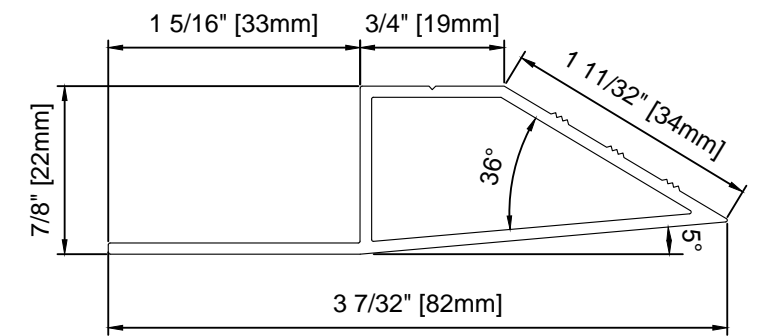
SCALE:  
 1:1  
 DATE:  
 MARCH 19 2024  
 DWG:  
 BV-003



**HANDLE**  
SCALE 1:2



**3/4\"/>**



**SILL ADAPTER**  
SCALE: 1:1