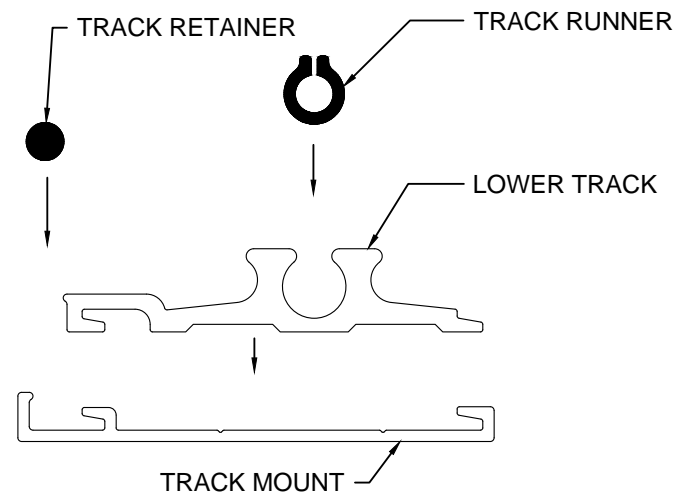
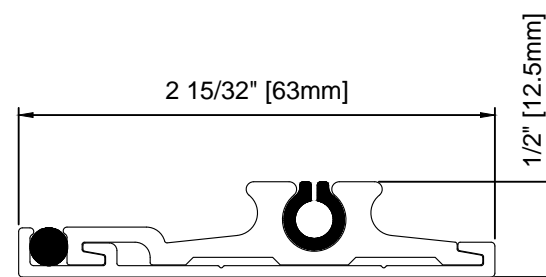
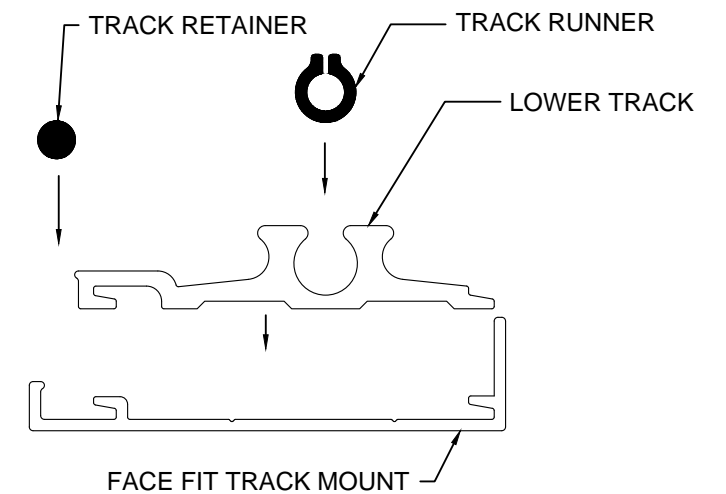
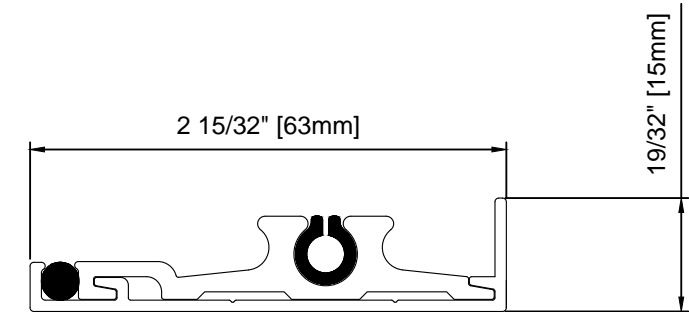


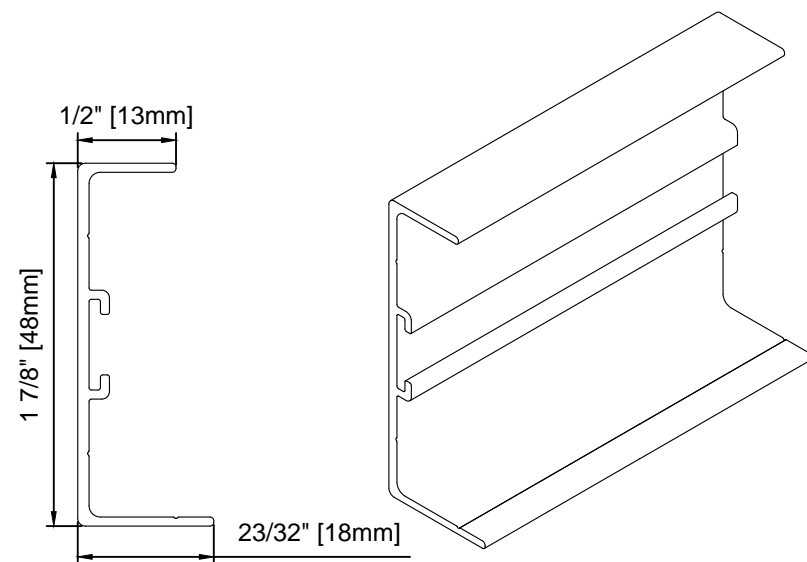
DETAIL A - UPPER TRACK



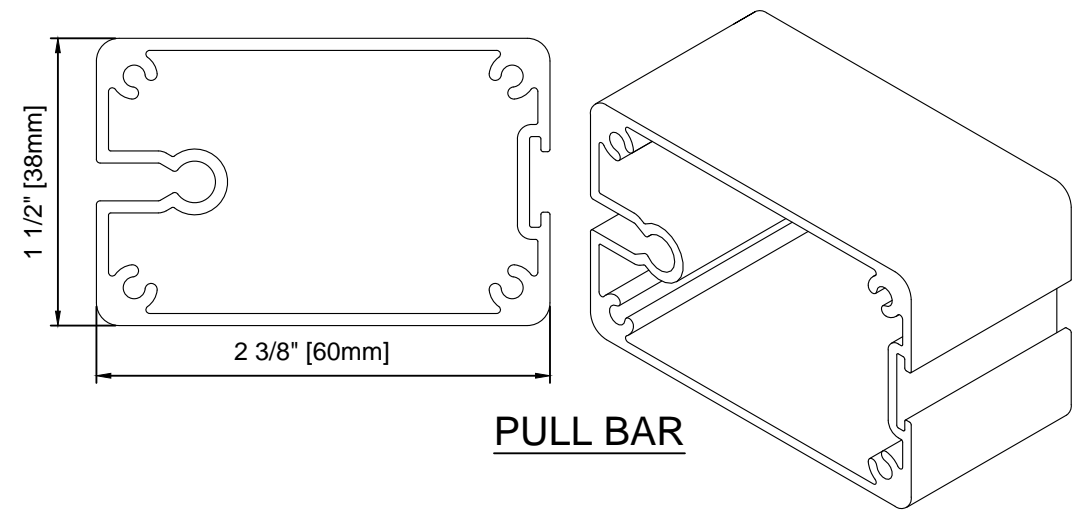
DETAIL B - LOWER TRACK



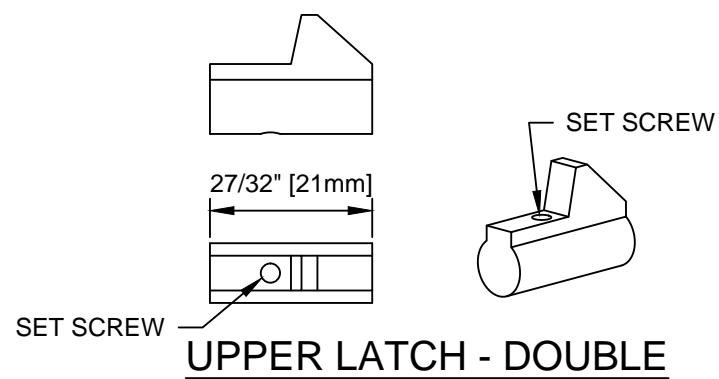
FACE FIT LOWER TRACK



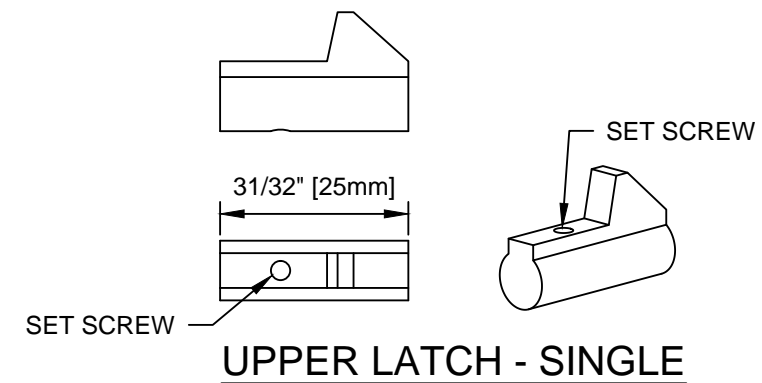
RECEIVER



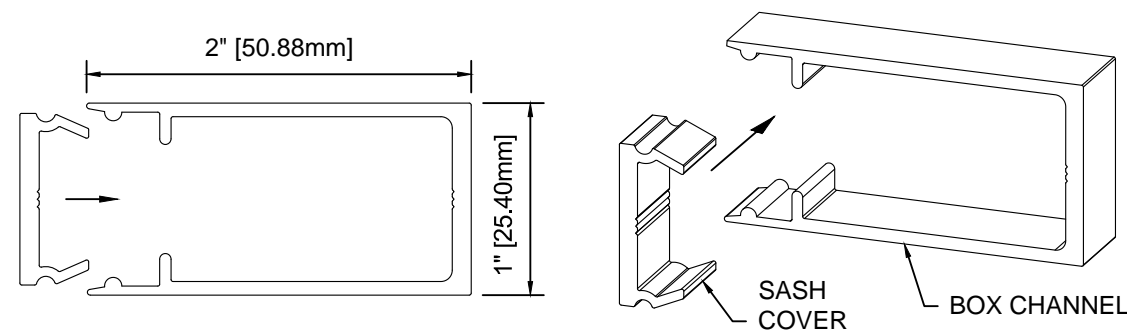
PULL BAR



UPPER LATCH - DOUBLE



UPPER LATCH - SINGLE



BOX CHANNEL - OPTIONAL