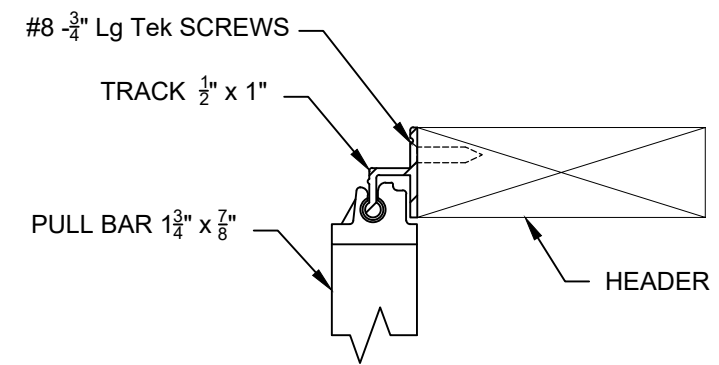
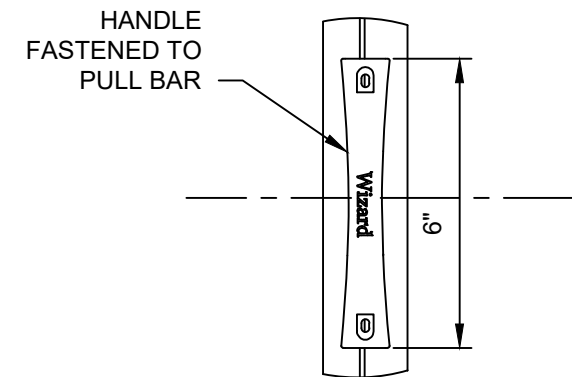


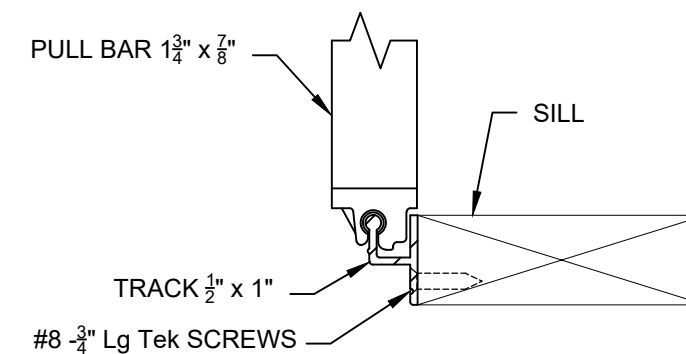
**FRONT & SIDE VIEWS**  
SCALE: 3"=1'-0"



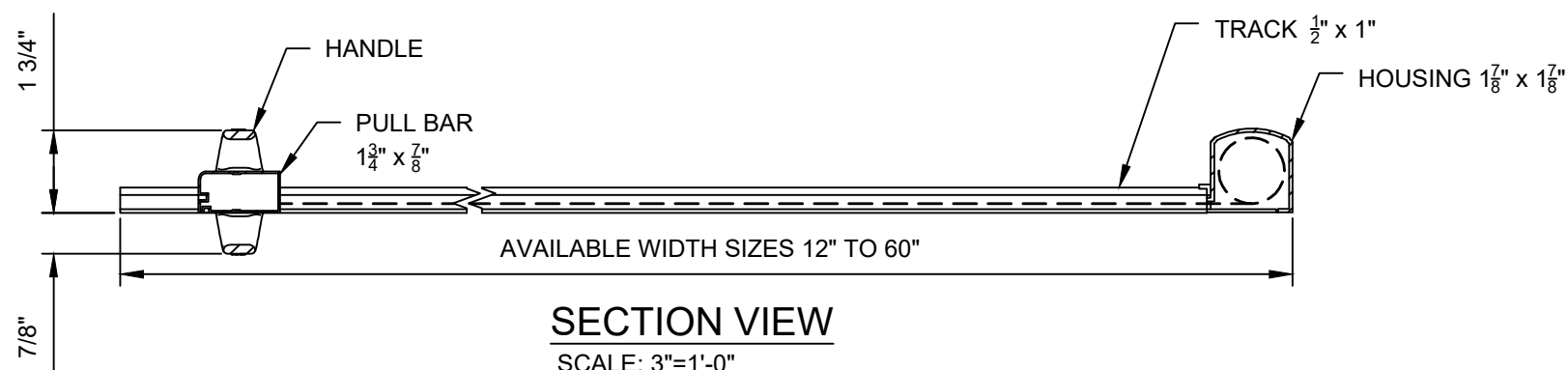
**HEADER CONNECTION**  
SCALE: 6"=1'-0"



**HANDLE**  
SCALE: 3"=1'-0"



**SILL CONNECTION**  
SCALE: 6"=1'-0"



**SECTION VIEW**  
SCALE: 3"=1'-0"

	<b>WIZARD SCREEN SOLUTIONS</b> 4263 PHILLIPS AVENUE BURNABY, BC V5A 2X4
	<b>RETRACTAVIEW SCREEN</b>

SCALE: AS SHOWN

DATE: MAY 12 2020

DWG: RTS-001