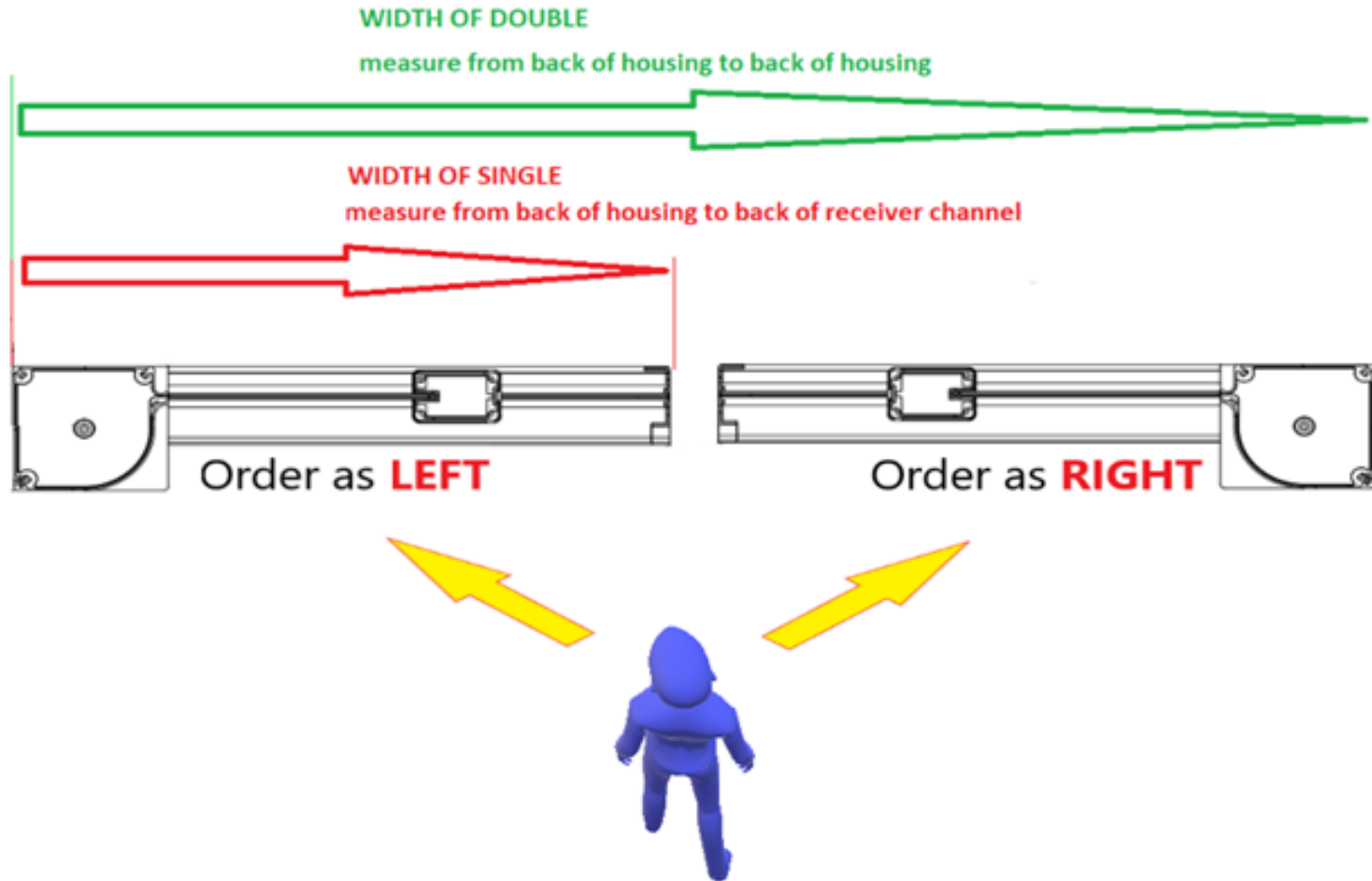


# Horizon

## Measuring Guide

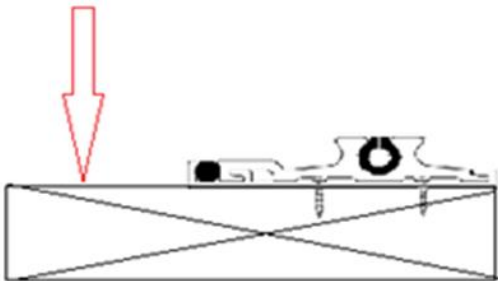
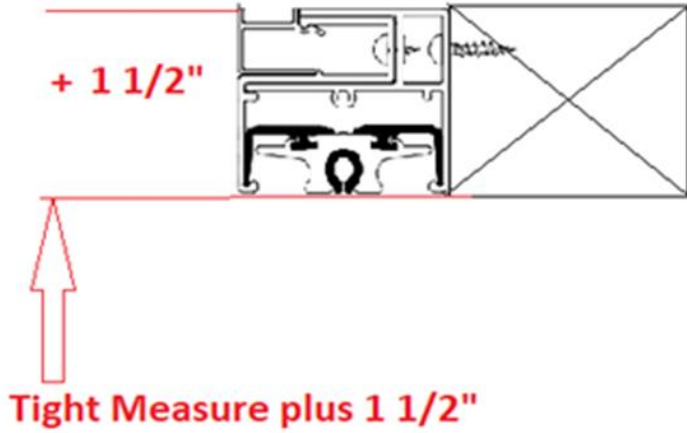


- Record desired **HEIGHT** as "top of upper track" to "bottom of lower track" - **this is the same height as the housing.**
- To record desired **WIDTH**, round *UP* to the nearest *INCH*.
- Housings can be installed as "face-fit" or "in-jamb/under-header" mounts.
  - \*NOTE: For an "in-jamb/under-header" mount, the **80mm Horizon** would be anchored to the box channel or door frame. See "Overview" for housing screw locations.
- 6" extra track provided to be cut at site.
- Extra mesh to provide some flexibility at time of install
  - \*EXCEPTION: Units **268"-274" WIDTH** do *not* have extra mesh.
- For "under-header" mount, **½" clearance** is *required* to allow room to tilt unit onto locator pin.



## Face-fit

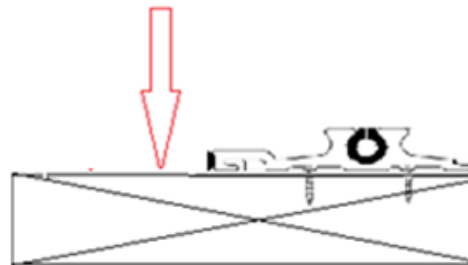
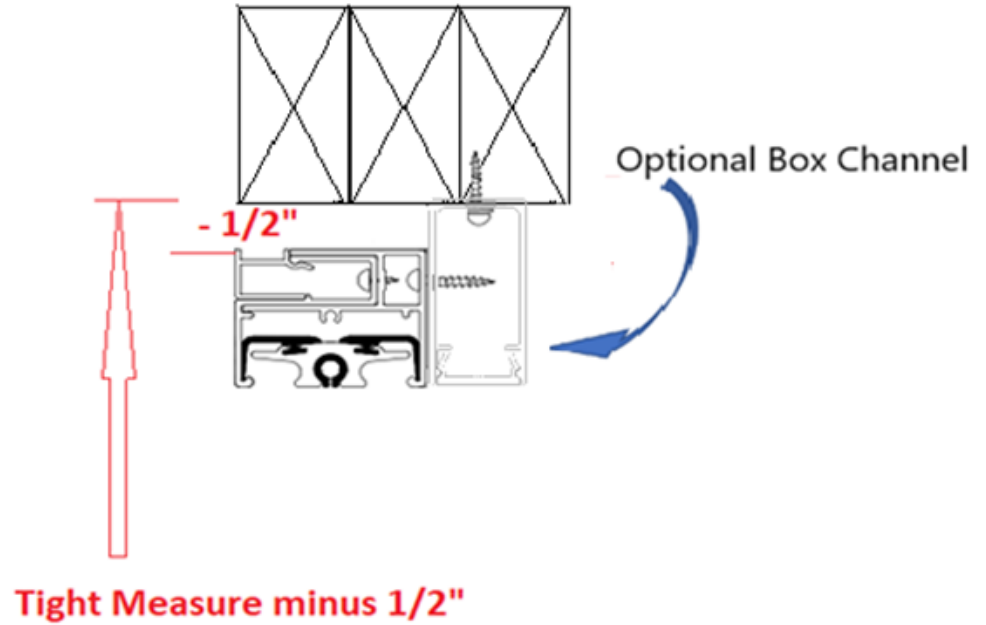
Vertical measurement + 1 1/2" = order height



3 September 2024

## Under-header

Vertical measurement - 1/2" = order height



Horizon Measuring Guide

**“Under-header” (Reverse-mount)**  
Vertical measurement - 1/2" = order height

