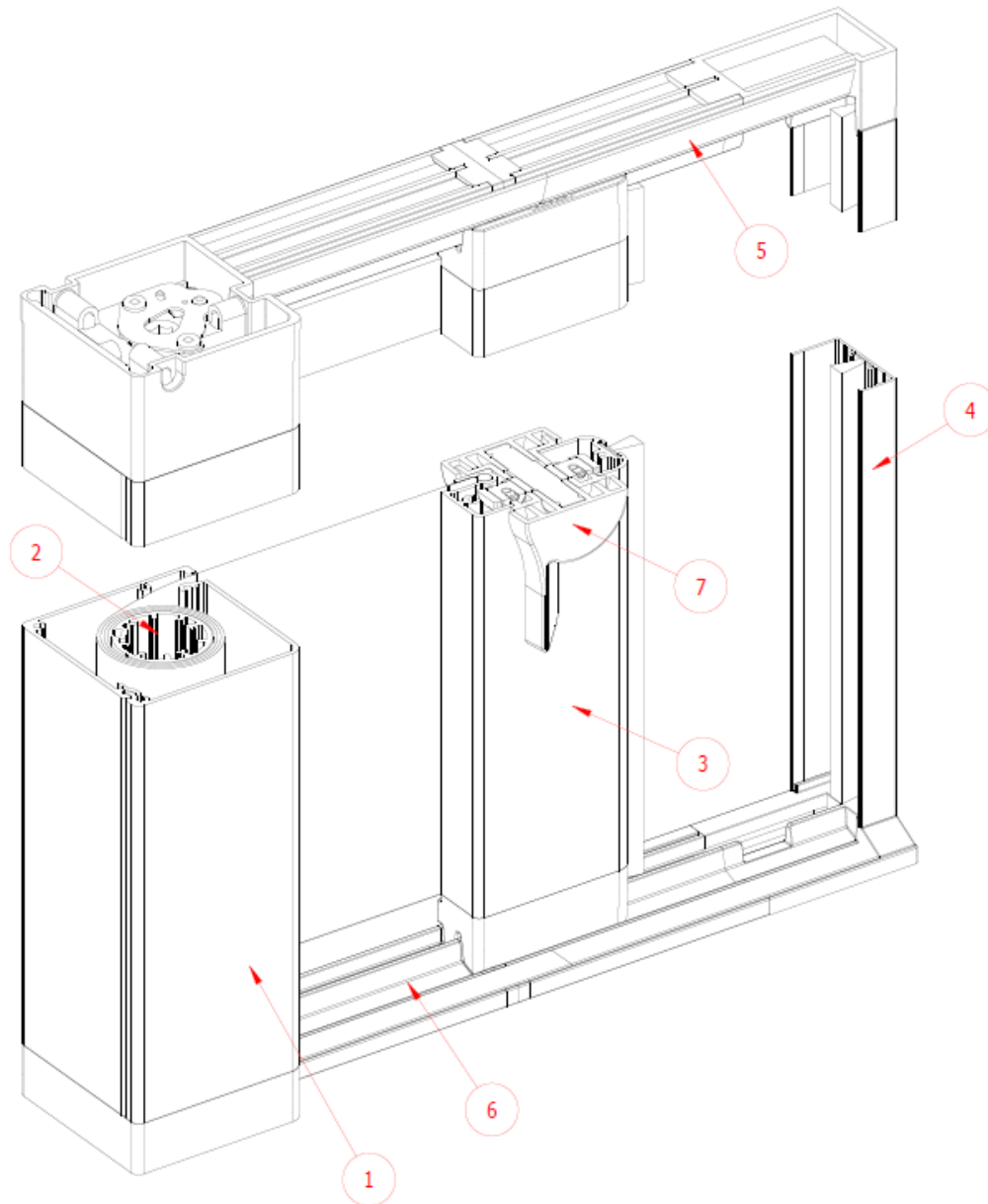


VistaView™ & VistaView™ Plus

Measuring Guide



Contents

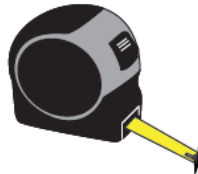
1. Tools Needed	3
2. Orientation & Width	3
3. Vertical Measurement.....	4
4. Handle Height	6
5. Other Part Dimensions	8

1. Tools Needed

Level



Tape Measure



Pencil



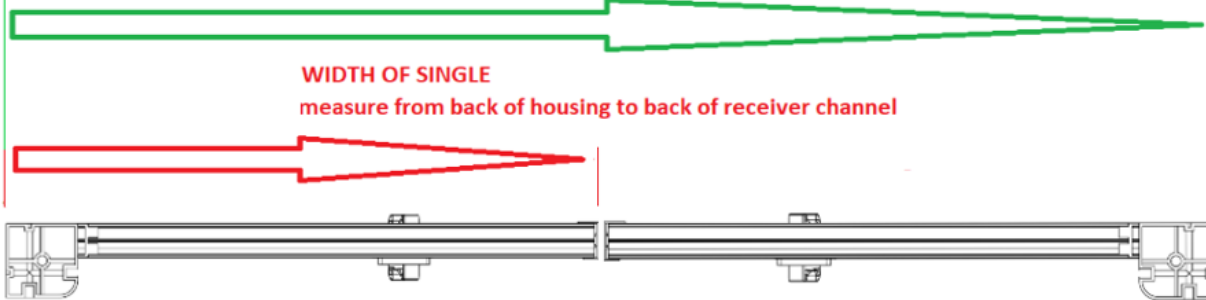
Laser Distance Measure (optional)



2. Orientation & Width

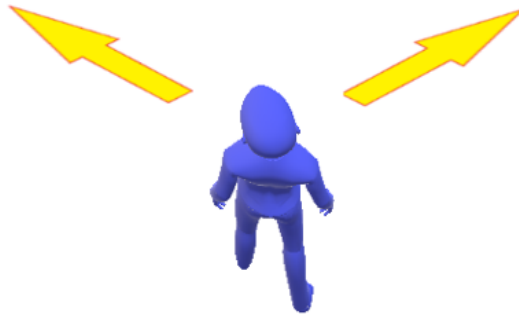
WIDTH OF DOUBLE

measure from back of housing to back of housing



Order as **LEFT**

Order as **RIGHT**

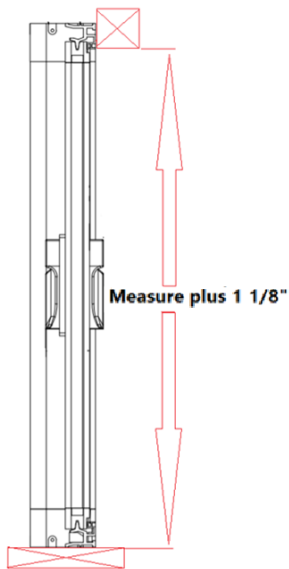


3. Vertical Measurement

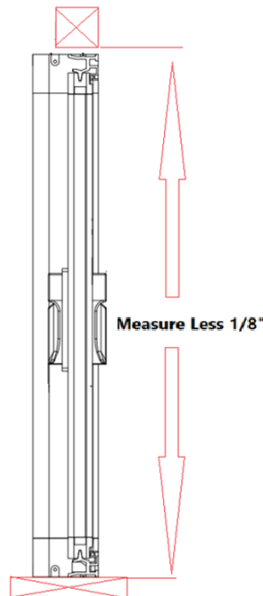
a) Vertical Measurement (Retrofit)

For all configurations, measure from “**finish floor**” to “**underside of header**” at multiple points along the opening. Record the **smallest measurement**.

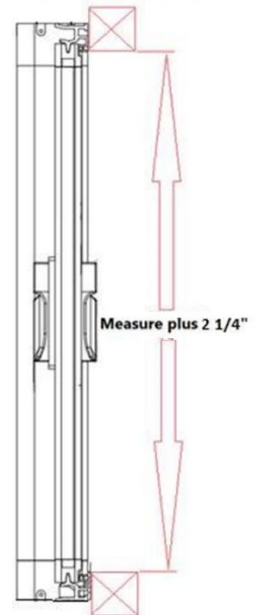
Upper Track - Surface Mount



Upper Track - Under-Header

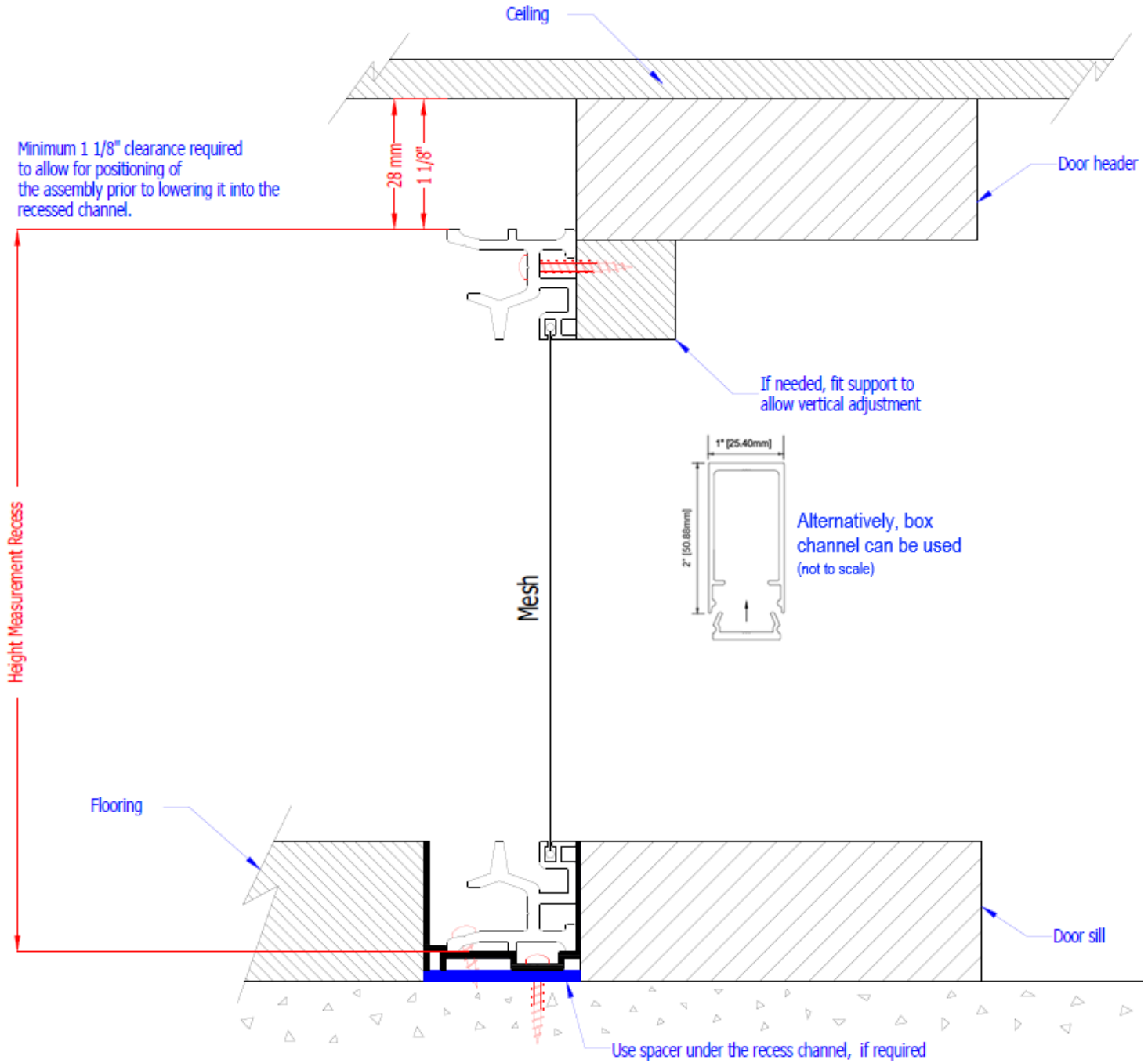


Upper and Lower Tracks - Surface Mount



Applications	Deduction/Addition
Upper Track - Surface Mount	+ 1 1/8"
Upper Track - Under-Header	- 1/8"
Upper & Lower Tracks - Surface Mount	+ 2 1/4"

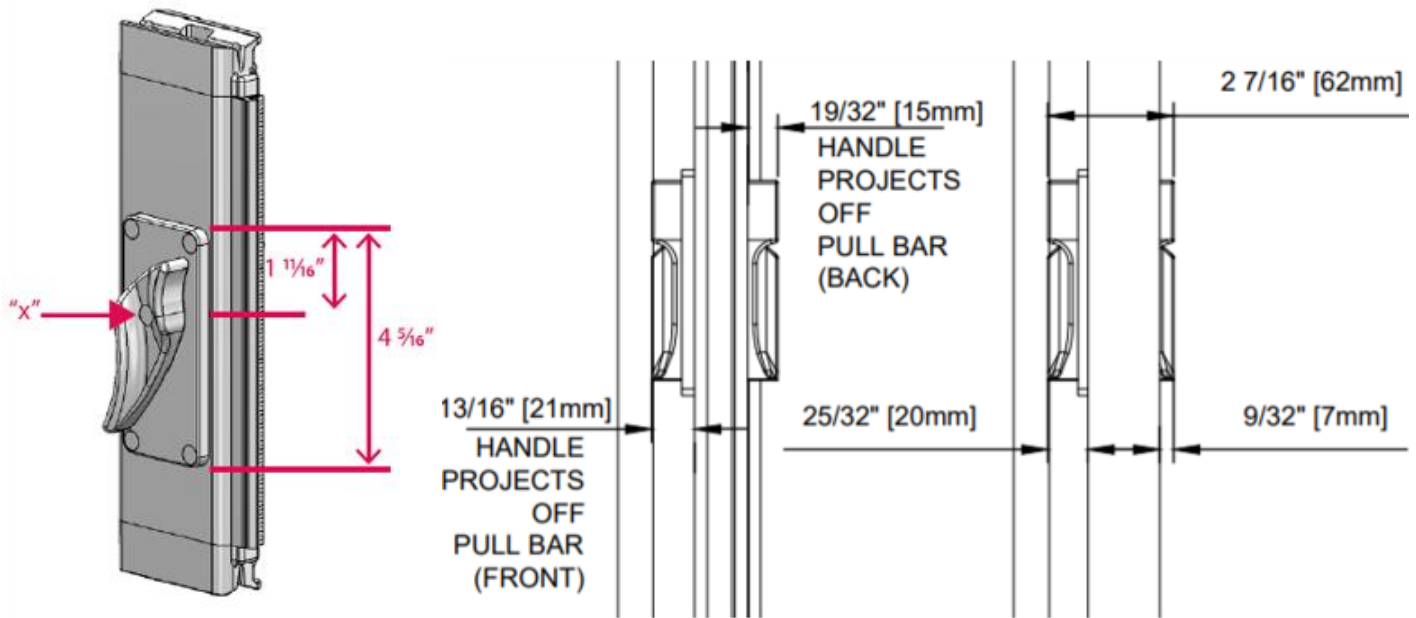
b) Vertical Measurement (with recessed lower track)



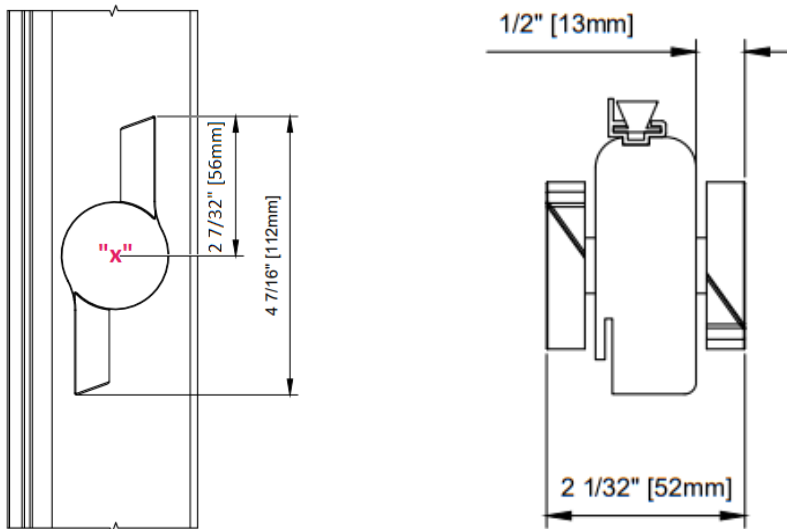
4. Handle Height

Handle height = distance from "bottom of system" to "x".

VistaView™ Handle



VistaView™ Plus Handle



On corner systems, the *handle heights* are **offset by 4 ½"**.



The **handle height** may be ordered at:

1. *Standard 4" below center; or*
2. *Custom height*

Handle heights are required for ordering.

***NOTE**

Ensure **handle** will be able to clear existing door hardware, if applicable.

5. Other Part Dimensions

See under “**VistaView™**” & “**VistaView™ Plus**”

[Technical Resources | Wizard Screens & Shades | Premium Retractable Screens & Shades](#)

***NOTE**

For *exterior applications*: Water egress is the responsibility of general contractor and builder.