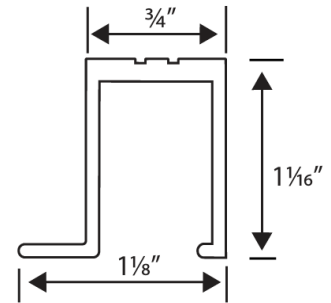


Sill Adapters Descriptions

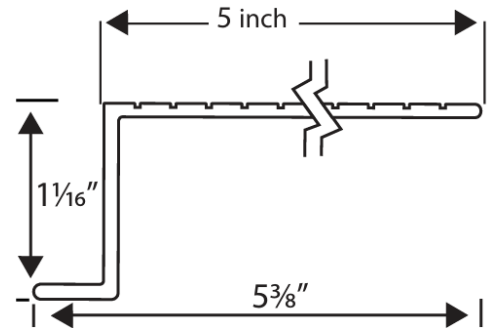
Square Sill Adapter (VS-40118)

Usually mounted underneath a header for interior mounts. Can also fit over existing patio slider rails. Pre-drill $9/64$ " holes, countersink, and affix with #8 x $1\frac{3}{4}$ " flathead screws.



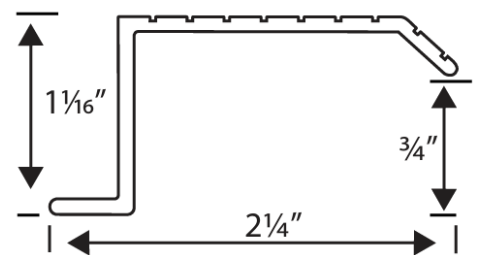
5-inch Sill Extender (VS-43304)

Designed to fit over an entire sill on an outside mount. Can project up to 3" (2" remains on sill). Pre-drill $9/64$ " holes, countersink, and affix with #8 x $3/4$ " flathead screws.



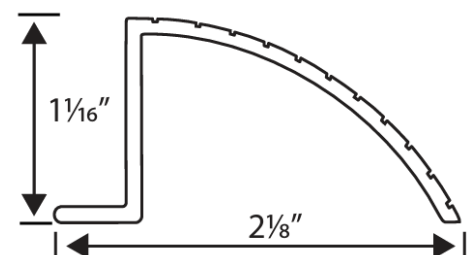
Texas Sill Adapter (VS-43303)

Fits over weather stripping or tiled floors for inside mounts. Pre-drill $9/64$ " holes, countersink, and affix with #8 x $3/4$ " flathead screws. Do not over-tightening.



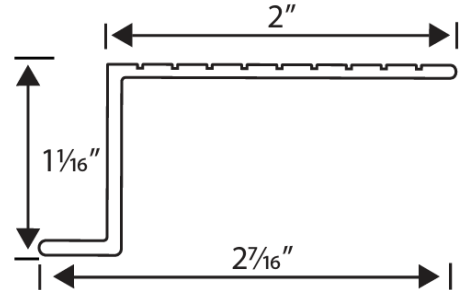
Wheelchair Ramp Sill Adapter (VS-43305)

Used for interior mounting and creates smoother transition (wheelchair, deliveries, etc.).



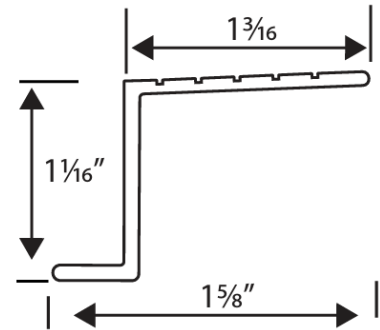
Interior Sill Adapter (VS-40114)

Creates a three-sided mounting plane. Extends sill to match frame or molding. Pre-drill $9/64$ " holes, countersink, and affix with #8 x $3/4$ " flathead screws.



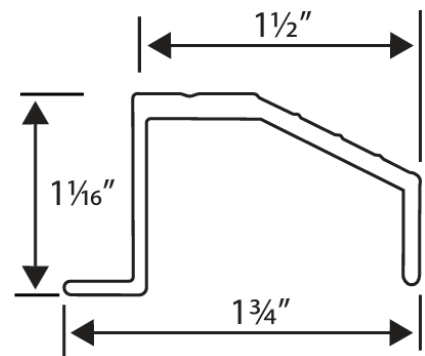
Exterior Sill Adapter (VS-40115)

Designed for 5° exterior mounting angles. Extends sill and mounts similarly to interior adapter. Pre-drill $9/64$ " holes, countersink, and affix with #8 x $3/4$ " flathead screws.



Over Sill Adapter (VS-40116)

Fits on top of extended or 5° sloped sills. Pre-drill $9/64$ " holes, countersink, and affix with #8 flathead screws ($1\frac{3}{4}$ " aluminum, 2" wood).



Threshold-Low Sill Adapter (VS-40117)

Common for interior mounts when sill has only $1/4$ " reveal. Least commonly used adapter.

