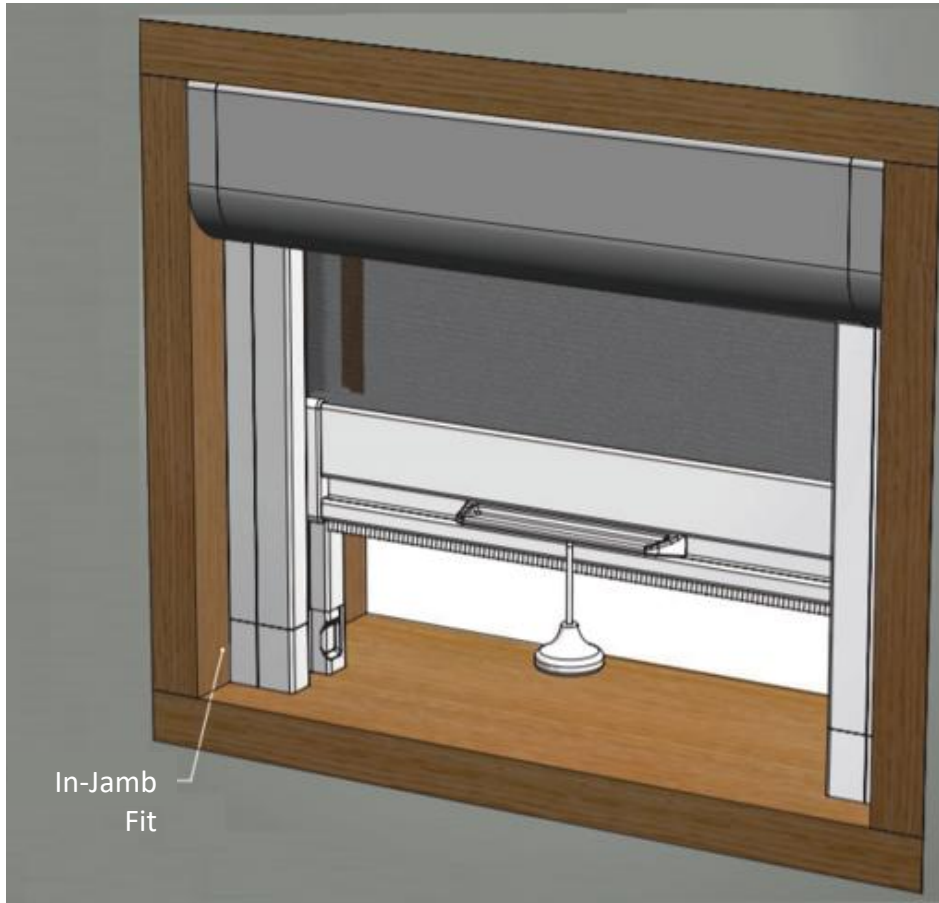


# SmartScreen

## In-Jamb Fit



If you have questions, contact support **while on-site**

[support@wizardscreens.com](mailto:support@wizardscreens.com)

**1-888-949-3667**

CLICK

## First Things

- **READ INSTRUCTIONS BEFORE PROCEEDING.**
- This product is **retrofitable**. Surrounding construction must first be completed, if applicable.
- If concealed, screen unit must be **removable & serviceable**.
- Minimum 2 installers

## Unpackaging

- Zippers in slots.
- **Photograph and report** damaged or missing parts *immediately!*
- **Do NOT draw screen on bench! Do NOT draw until tracks installed!**

## Preparation

- Inspect at shop.
- Transit to site protected.
- **Report damage to sales rep. with pictures *immediately*.**



Spray tracks  
*only* with dry  
silicone.

## SmartScreen

5/16" and 1/8" Drill Bits



#1 and #2 Robertson Driver Bits



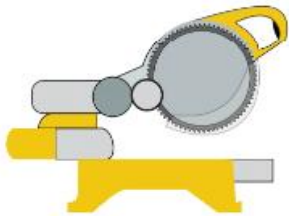
Dry Silicone Spray



Utility Knife



Chop Saw



Drill



Step Ladder



Vacuum



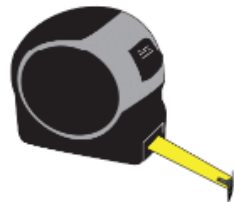
Rubber Mallet



Level



Tape Measure



Pencil

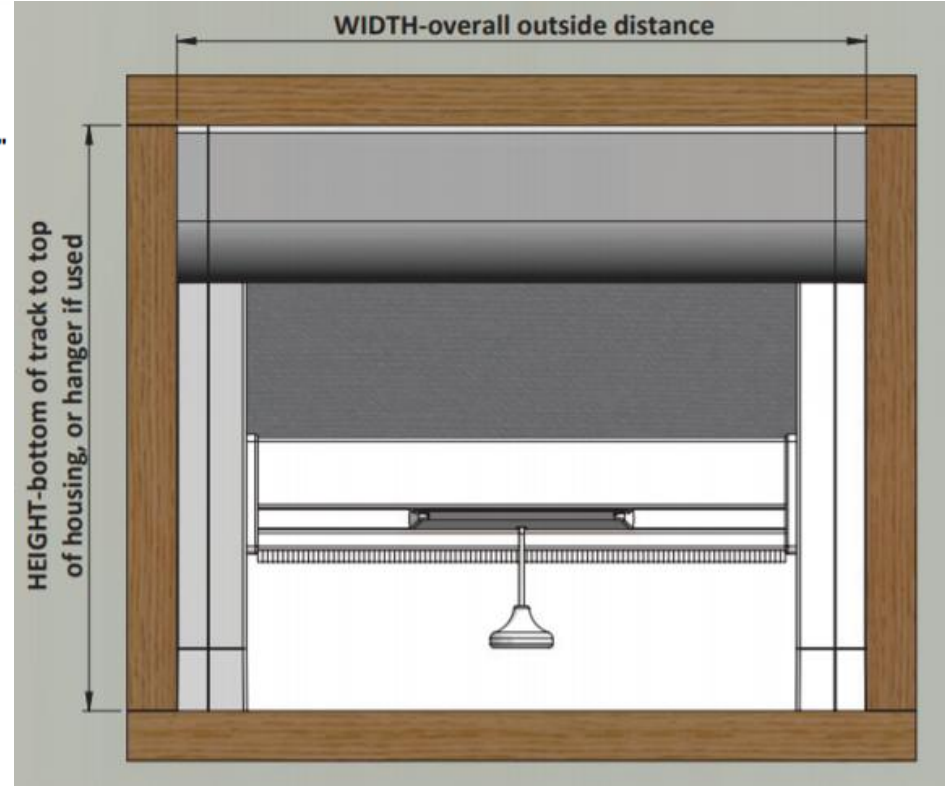
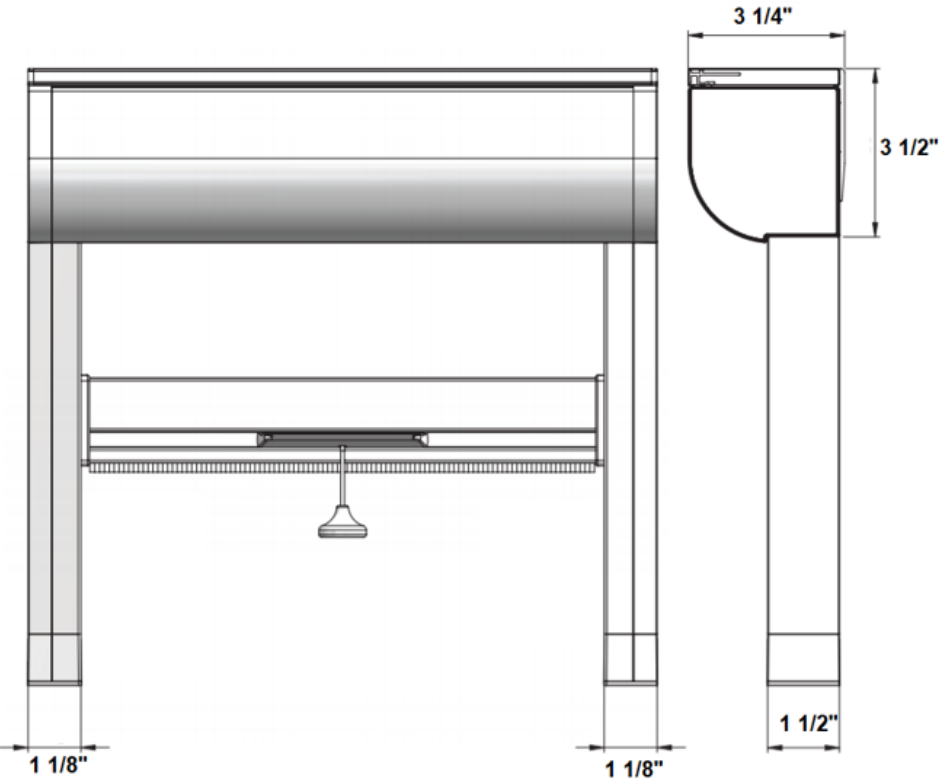


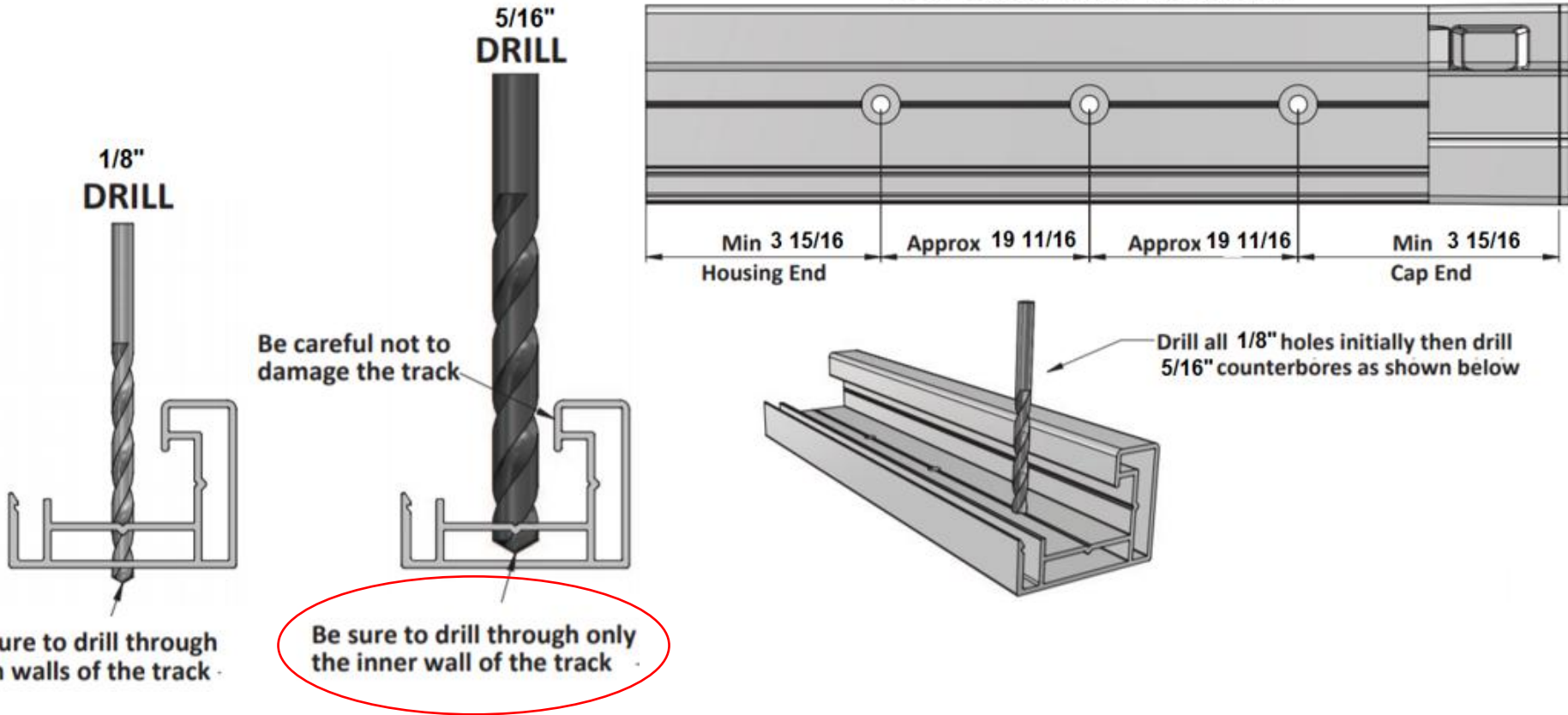
Shims



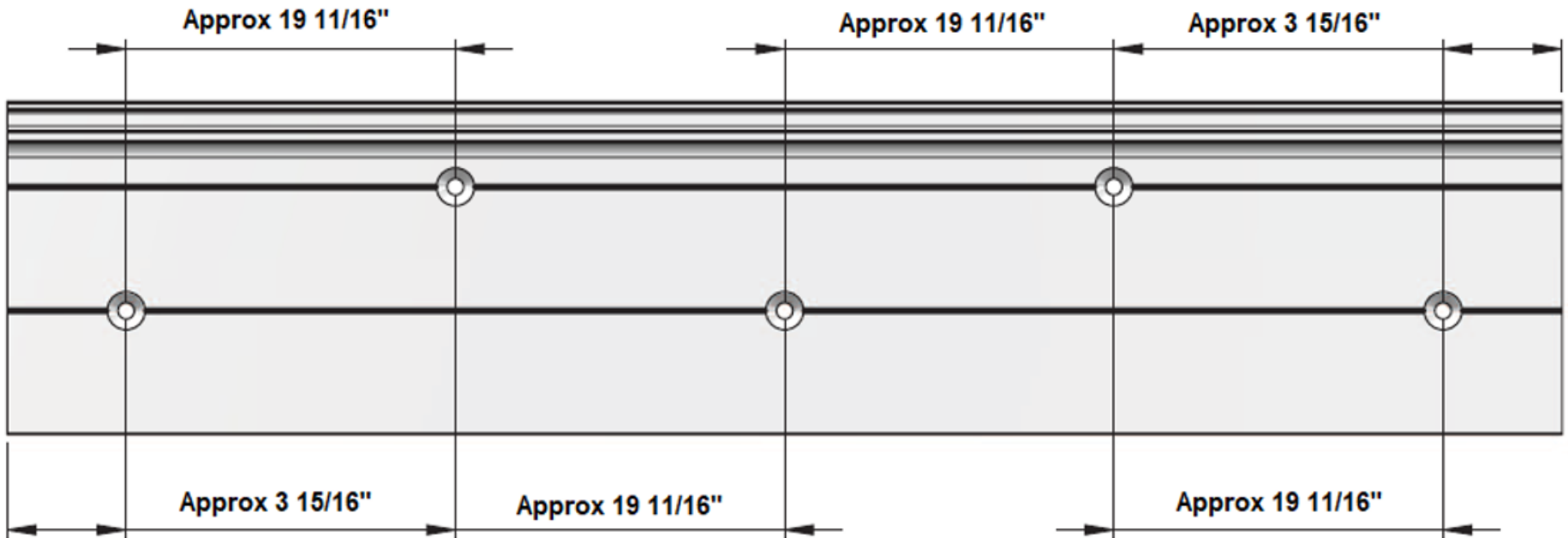
2-way Laser Level Kit



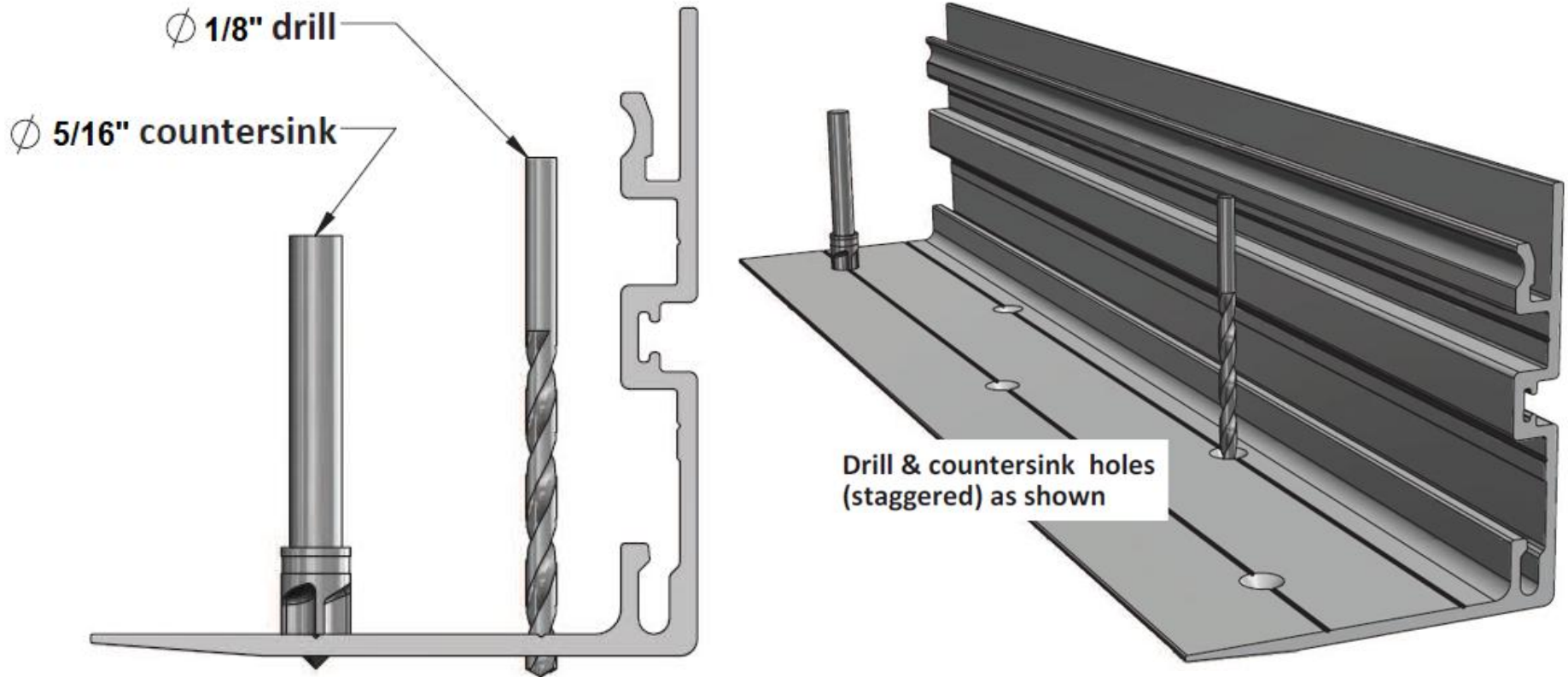




## Drill "Housing Hanger"

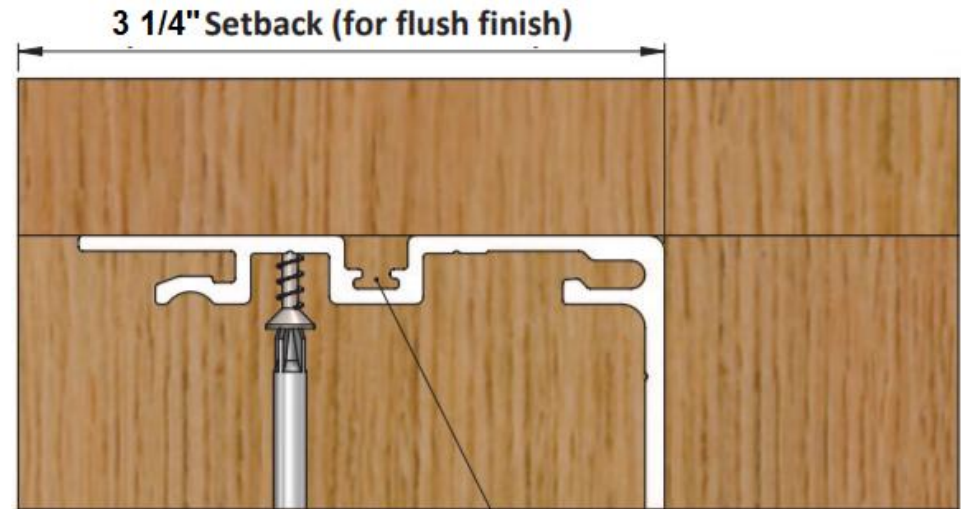


## Drill "Housing Hanger"



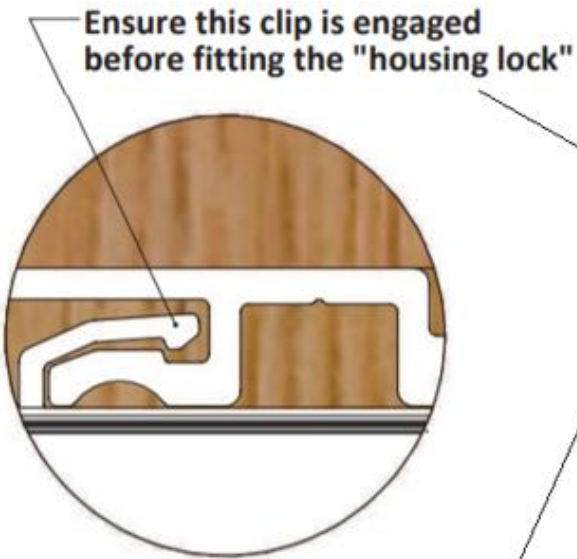
## Mount "Housing Hanger"

Use packers if needed to ensure housing hanger is mounted both level & flat across it's entire length

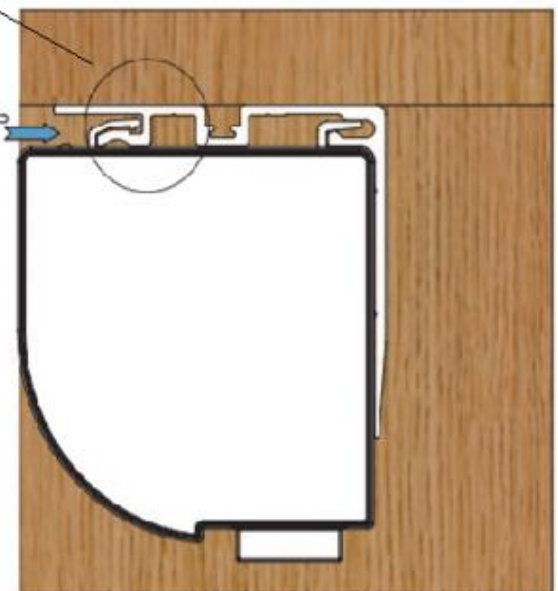
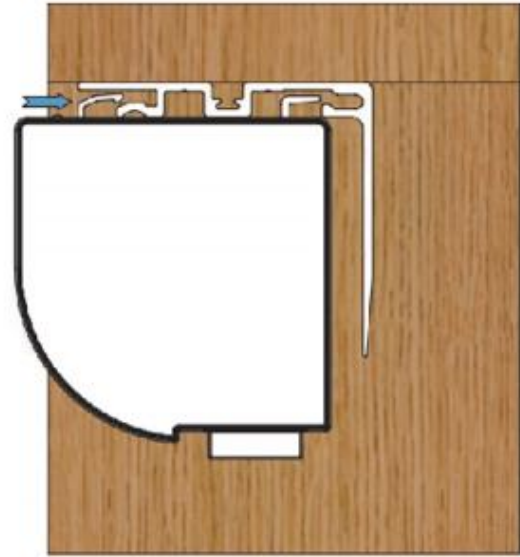


## Mount "Housing"

Lift & support the housing locating the prongs into hanger opening. Ensure it remains firmly against the underside on the hanger, then starting at one end push the housing toward the wall, working your way along the entire length to engage the securing clip.



Slide "housing lock" into hanger & press firmly until it clips into place



## Mount "Fixed Tracks"

SmartScreen

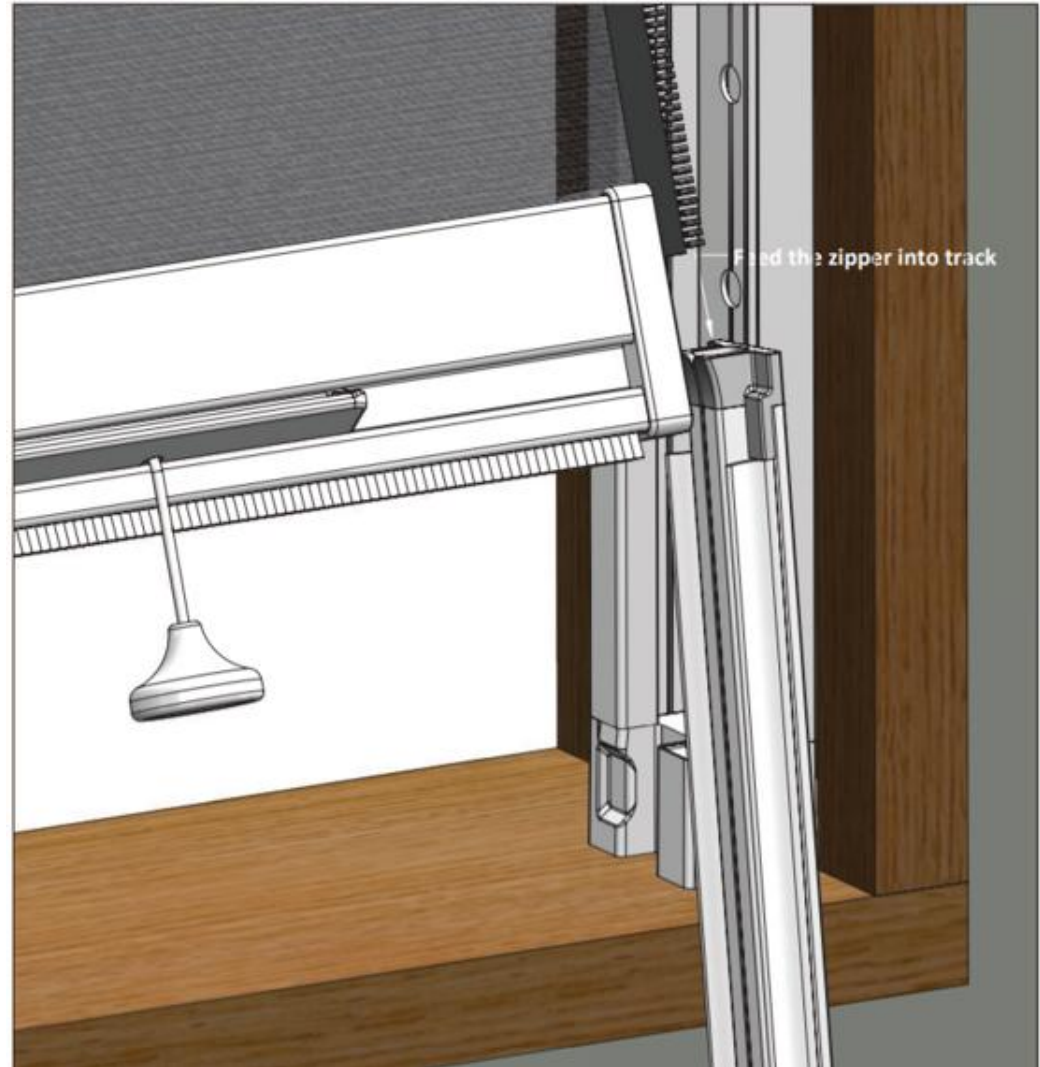
Once positioned screw in place as per 2 3/8" procedure shown on the following page.

Tilt & flex the tracks into place, ensuring they correctly engage the tabs of the housing end caps.



**Feed mesh edge into "Zip Track"**

**Pull the drawbar down 2" or more to make it easier to feed the zipper into the tracks. Repeat for opposite side.**

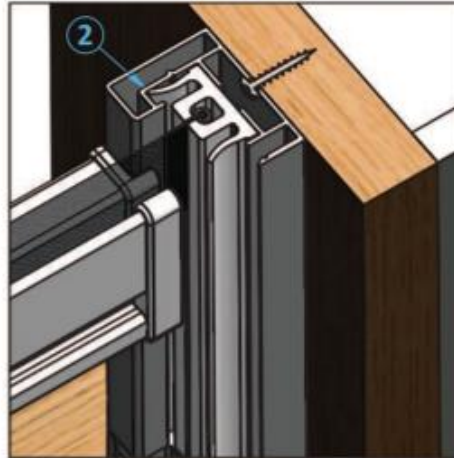


**Complete the "Track" assembly for one side only**  
Ensure the "Drawbar" is correctly located within the track as shown

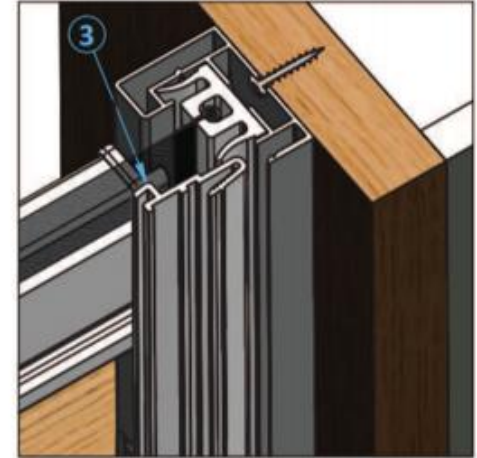
1- Rotate Zipper Track into position



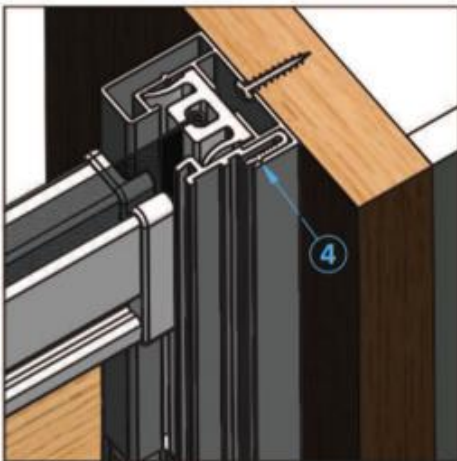
2- Ensure the flexible wing is fully seated



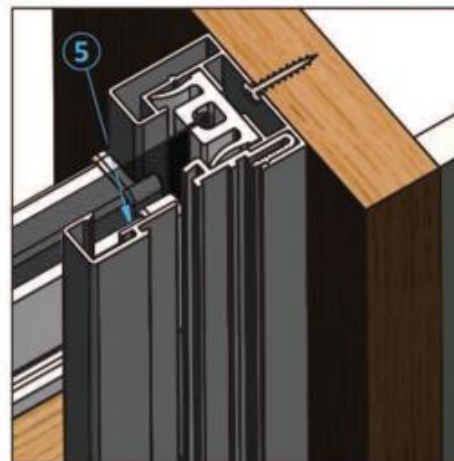
3- Align the "inner track" as shown



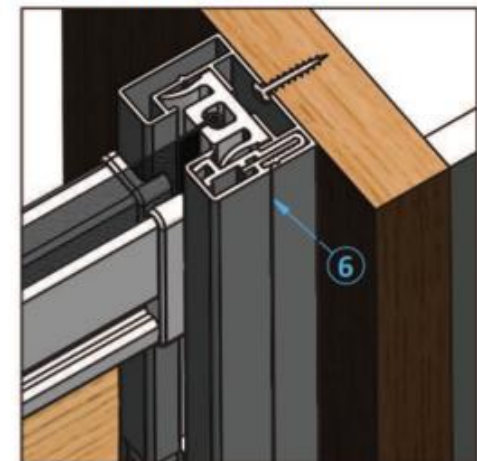
4- Press firmly ensuring it clicks into place



5- Align the "track retainer" as shown

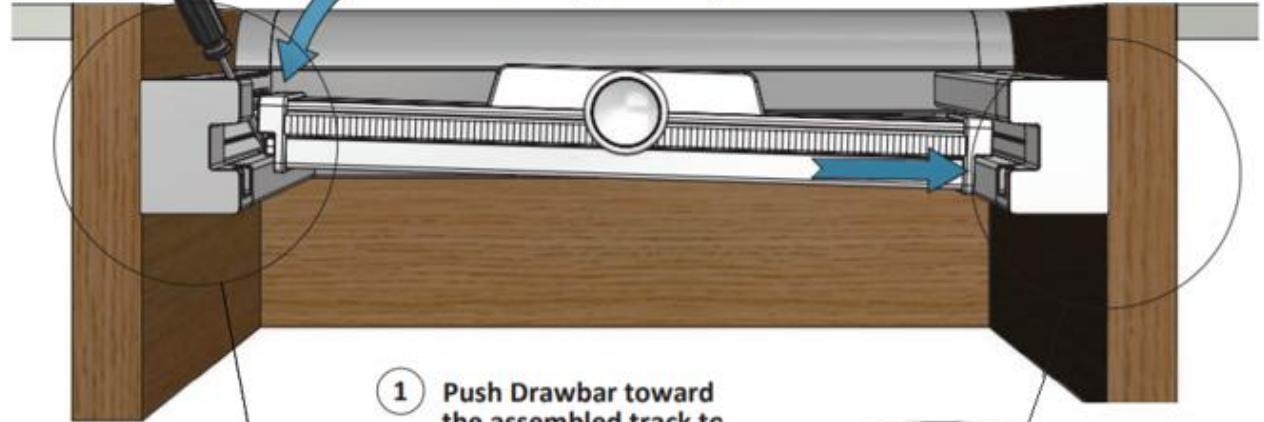


6- Press firmly or soft mallet until seated



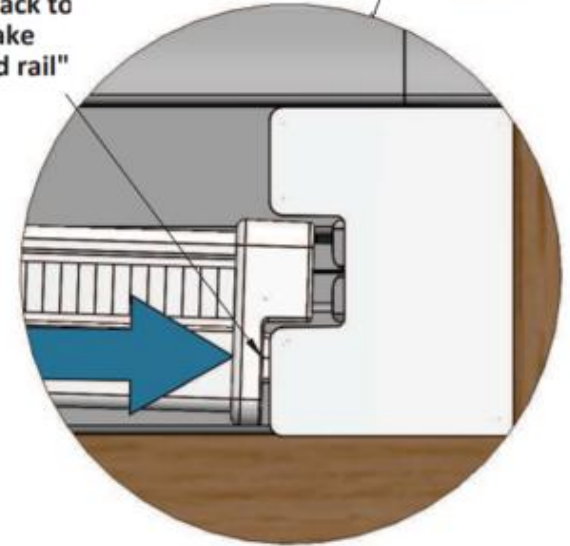
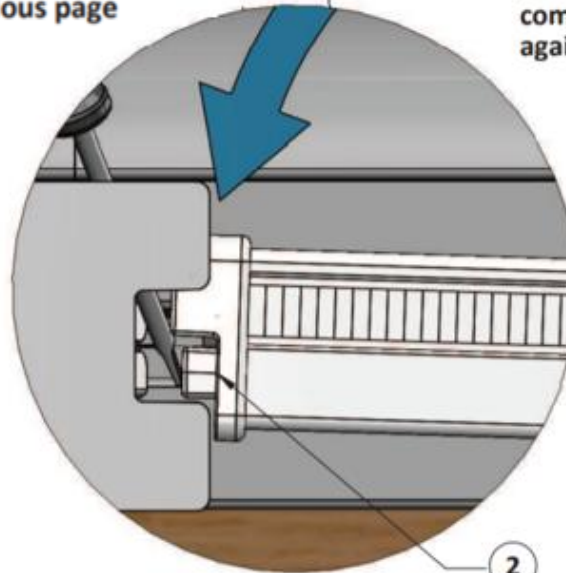
## Position & secure "Drawbar" in tracks Bottom (sectioned) View

Use a small screwdriver to compress the brake allowing the drawbar to swing into place



3 Once correctly positioned complete "Track Assembly" shown on previous page

1 Push Drawbar toward the assembled track to compress the brake against the "fixed rail"



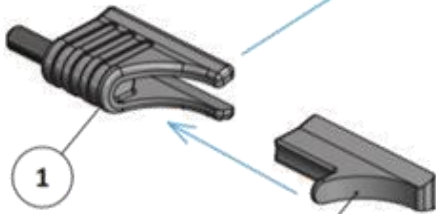
2

### Check the blind operation

With the screen now assembled, spray a small amount of silicone spray into the zipper tracks. Be careful not to spray the outer tracks or braking surface. Run the drawbar up & down to check the blind operates smoothly & locks into the "track caps" correctly. For windy areas, or areas with uneven ground the "drawbar locks" can be fitted. Refer fitting instructions herein.



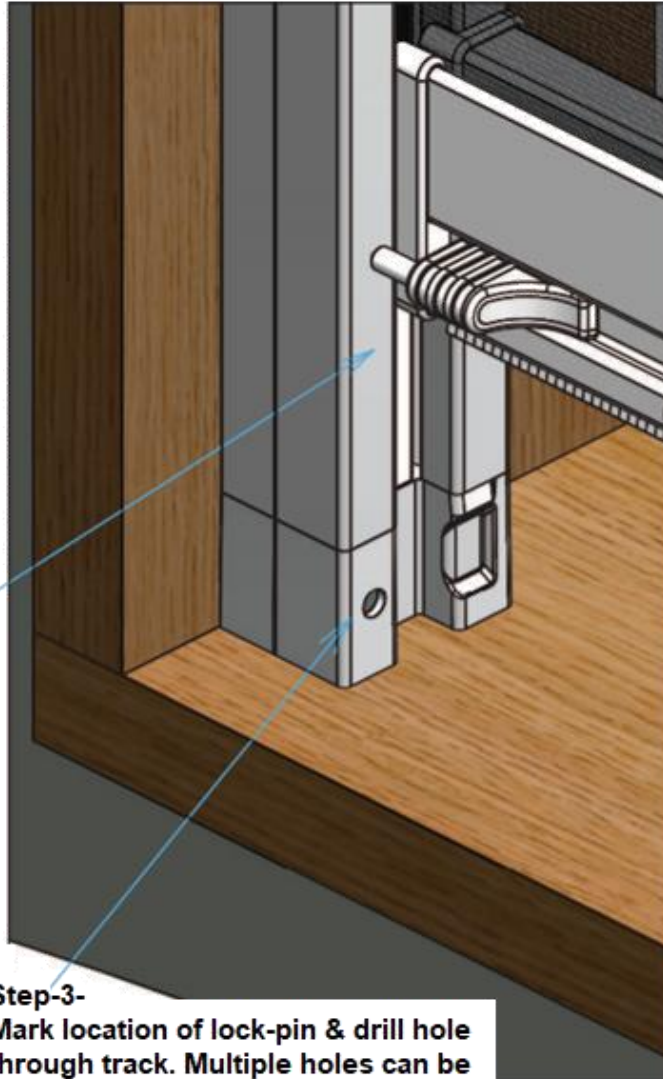
**Step-1-**  
Push lock into drawbar groove  
until it snaps into place



**Step-2-**  
Slide key into lock groove  
to secure it in drawbar



**Step-3-**  
Mark location of lock-pin & drill hole  
through track. Multiple holes can be  
drilled at desired locations along the  
track as needed



**Wizard**  
**Screens & Shades**