

Overview

VistaView™



VistaView™ Plus



Contents

1. VistaView™	3
2. VistaView™ Plus	4
3. Latest Screen Material and Standard Colours	6
4. Applications	6
5. Housing Sizes & Maximum Unit Dimensions.....	8
6. Mounting.....	8
7. Handing & Orientation.....	9
8. Fastening.....	10
9. Recessed Option.....	11
10. Additional Options.....	12
11. Other Considerations	13

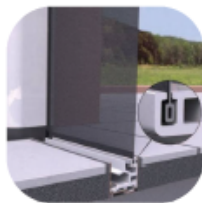
1. VistaView™

VistaView™



Patented Auto-Stop

The handle features a turn function for full control and unlimited brake points. The pull-bar stops anywhere along the tracks upon release, ensuring simple operation.



Captured Mesh

Specialized equipment welds the mesh to the zipper. The tracks capture the zippers, and the mesh is retained at all times. No blowouts, frayed mesh or pets on the loose!



Recessed Track

The lower track can be recessed, providing a smooth transition and flush appearance to suit certain applications.

2. VistaView™ Plus

VistaView™
Plus

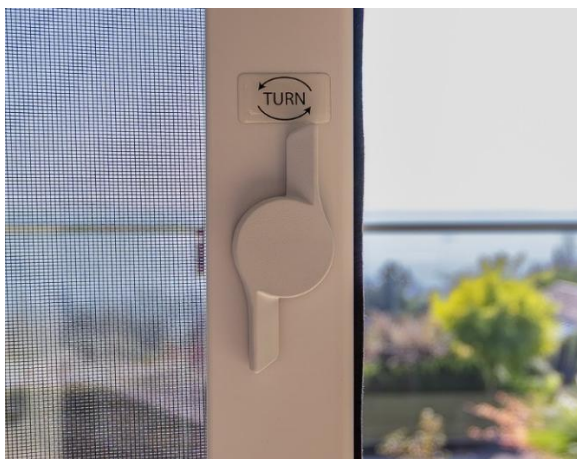


Metal, Low-profile Handle

- Wet-painted metal
- Rotationally-symmetrical
- Low-profile projection

Latch System

- Wet-painted metal
- Latch instead of magnet
- Easy to disengage from receiver



VistaView™ Plus

Low-profile (LP) Lower Track Option

- ½" height
- Suitable for low-threshold applications



Square Housing Option

- Square housing profile optional
- Modern, clean appearance



Metal Housing Endcaps

- Aesthetically premium appearance
- Built-in guides - no track guides required
- Wet-painted metal

Large Opening Sizes

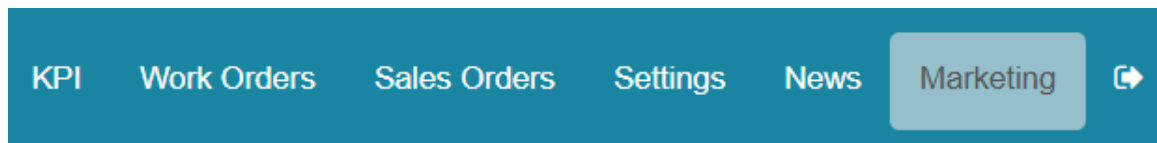
- Maximum 43'W x 12'H
- Accommodates architectural glazed doors & openings



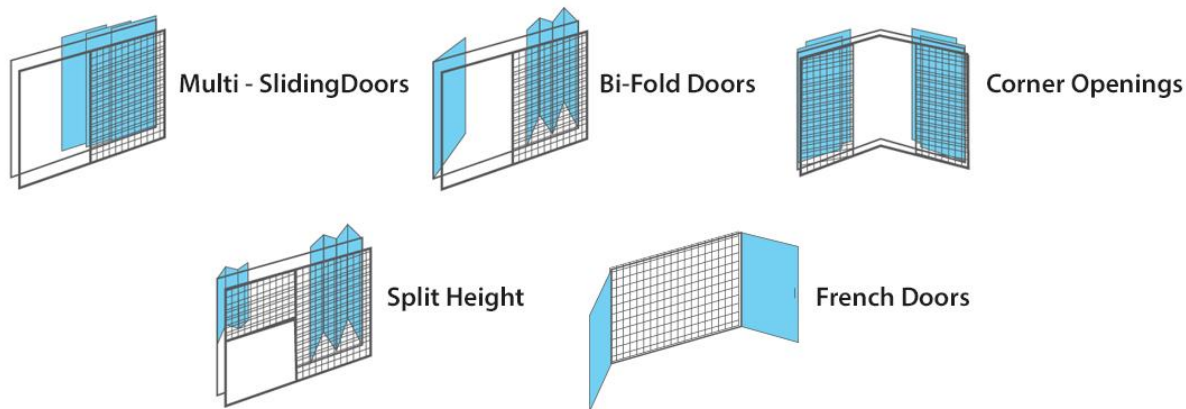
3. Latest Screen Materials and Standard Colours

[Screens & Shade Solutions - Built Better | Wizard Screens & Shades](#)

Up-to-date “Supplier Resources” available in marketing tab via [Wizard Screens & Shades Order Portal](#)



4. Applications

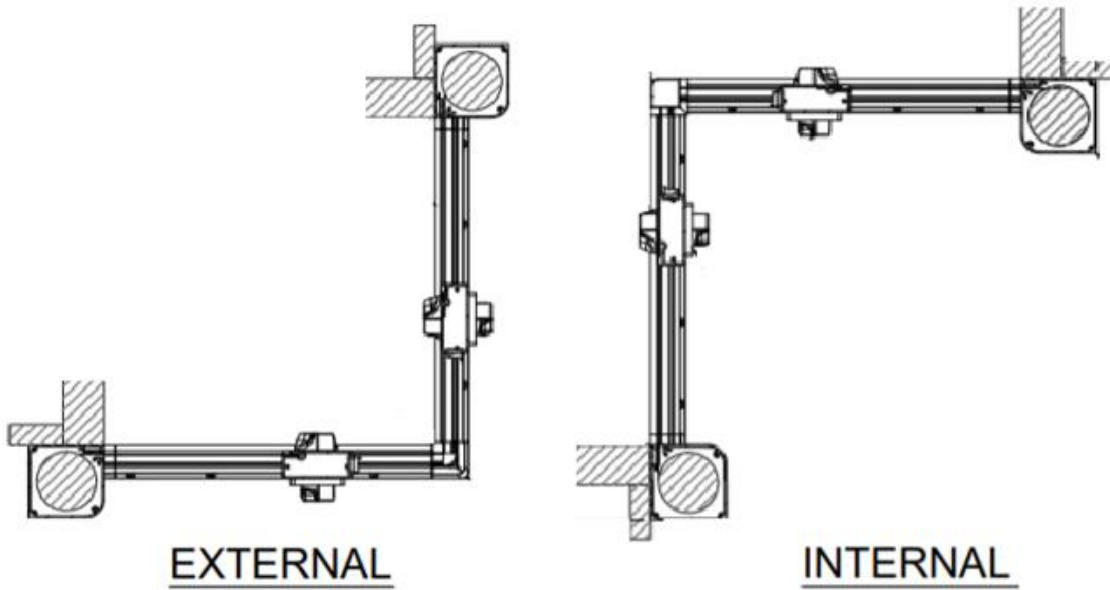


Double screens

50:50 splits or off-centre splits. I.e. The tracks can meet at a location *other than centre*.

***NOTE:** Pull-bars *cannot* pass beyond the **intermediary track joiners/latches**.

90° Corners - possible in post-less openings.



Ex. Internal Corner



***NOTE:** The handle heights are offset 4 ½”.

5. Housing Sizes & Maximum Unit Dimensions

		Housing Size	Single (W x H)	Double (W x H)
VistaView™ Plus	VistaView™	60 mm [2 3/8"]	6' 6" x 10'	13' x 10'
		70 mm [2 3/4"]	10' 6" x 10'	21' x 10'
		80 mm [3 1/8"]	14' 6" x 12'	29' x 12'
		100 mm [4"]	21' 6" x 12'	43' x 12'

6. Mounting

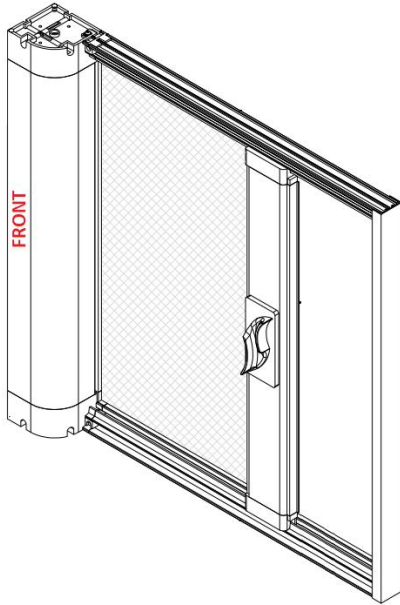
The VistaView™ & VistaView™ Plus can be mounted: (1) face fit; (2) in-jamb; or a combination.



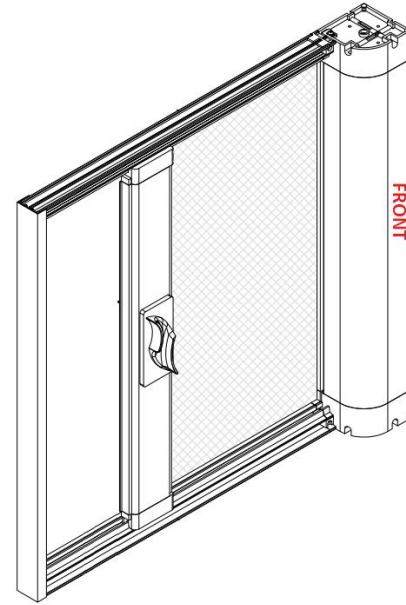
7. Handing & Orientation

Handing is determined as if looking at the **front** of screen unit.

LEFT-hand



RIGHT-hand



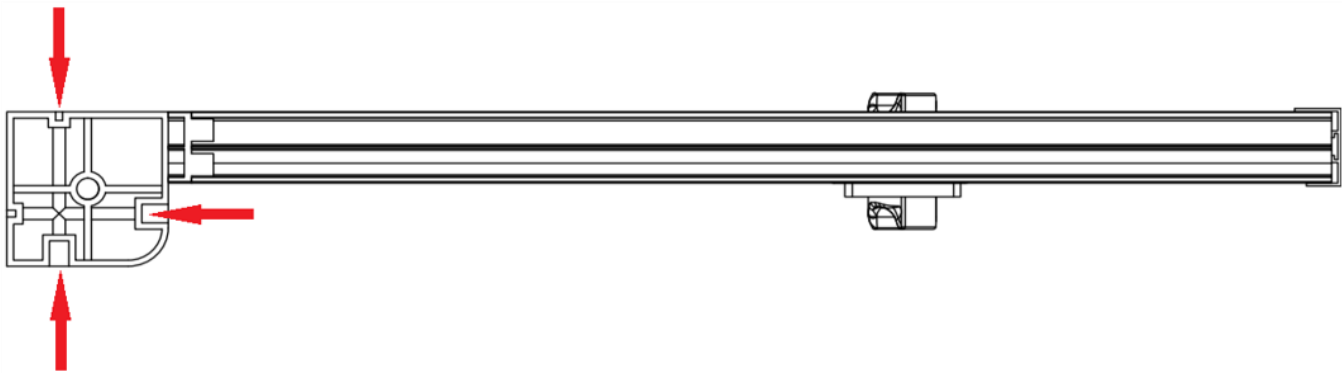
	<u>LEFT-handed Screen</u> (blue man looking LEFT)	<u>RIGHT-handed Screen</u> (blue man looking RIGHT)
Mesh and tracks further from door	<p>A</p>	<p>B</p>
Mesh and tracks closer to door (more common)	<p>C</p>	<p>D</p>

8. Fastening

Housing

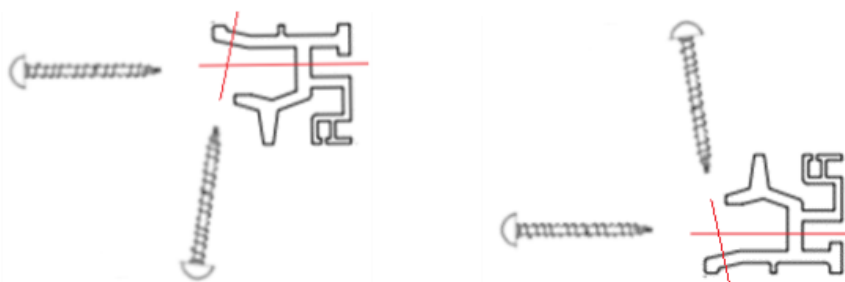
VistaView™ & VistaView™ Plus **housing** can be fastened through the *front*, *back*, or *inside* locations.

*For VistaView™ Plus with LP lower track, applicable only for **top endcap**.

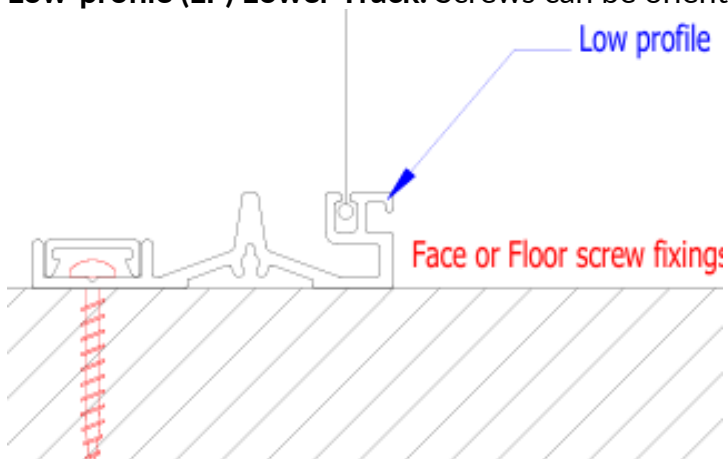


Tracks

Standard Track: Screws can be oriented *vertically* or *horizontally*.

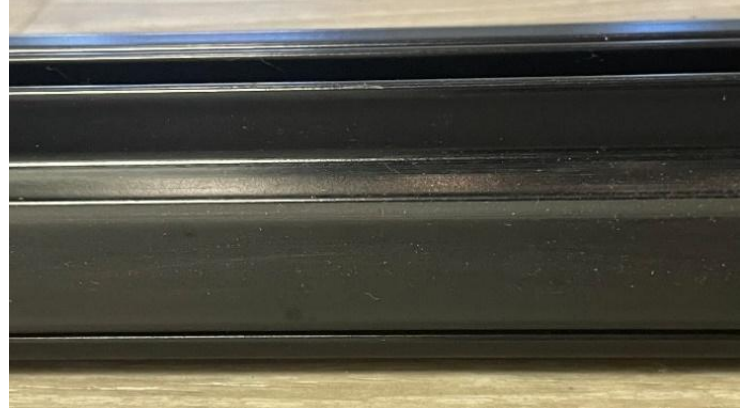
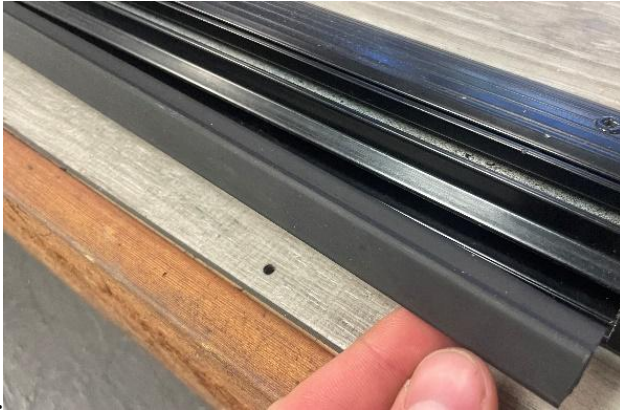


Low-profile (LP) Lower Track: Screws can be oriented only *vertically*.



PVC Track Covers (optional)

PVC track covers applied to tracks to conceal screws. Available in black, white, and grey.



9. Recessed Option

Standard lower track and lower housing endcap can be *recessed* into a recess channel & cup.

*Applicable only to standard track.



See [Recessed Installation Video](#)

***NOTE:** Recessing for an *exterior* application is **highly NOT recommended** as it is subject to more dirt, debris, and water build-up, hence requiring more frequent maintenance.

10. Additional Options

Sill Adapters

Available in **80" lengths**. Orderable under "RetractaView Parts".

"Interior" and "Square" available in 160" lengths in mill, white, black, and sandalwood colours.

Orderable under "RetractaView Parts" and "VistaView Parts".

INTERIOR SILL ADAPTER
(VS-40114)

EXTERIOR SILL ADAPTER
(VS-40115)

OVER SILL ADAPTER
(VS-40116)

5-INCH SILL ADAPTER
(VS-43304)

SQUARE SILL ADAPTER
(VS-40118)

TEXAS SILL ADAPTER
(VS-43303)

WHEELCHAIR RAMP SILL ADAPTER
(VS-43305)

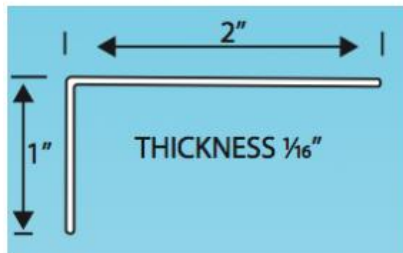
THRESHOLD-LOW SILL ADAPTER
(VS-40117)

	WIZARD SCREEN SOLUTIONS 4263 PHILLIPS AVENUE BURNABY, BC V5A 2X4	
	SILL ADAPTERS	
SCALE: AS SHOWN		
DATE: MAY 4 2020		SH: 1 OF 1

L-Flaps

Can be used to conceal gaps. Can affix with double-sided tape. Available in **96" lengths**. Orderable within **"RetractaView Parts"**.

L.FLAP



DOUBLE SIDED TAPE



***NOTE:** Sill Adapters (except "Interior" & "Square") and L-Flap standard colours do *not* match VistaView™ & VistaView™ Plus standard colours *exactly*.

11. Other Considerations

Concealing

The housing, upper track, and receiver should not be concealed. Otherwise, ensure they can be removed easily in the event the screen requires servicing. Do not embed the **upper track** into the header nor ceiling. **It is the responsibility of the builder to develop removable trim work.**

Exterior Applications

If **lower tracks** are mounted on top of the threshold on the exterior where it is exposed to weather, it is recommended that *weep holes* be drilled through the **tracks**. Pilot holes should be applied with dabs of **silicone sealant** before **tracks** are fastened.

Recessing for an exterior application is **highly NOT recommended** as it is subject to more dirt, debris, and water build-up, hence requiring more attention and maintenance.

12. Partners for These Products



A large, bold, black version of the Wizard Screens & Shades logo, featuring the word "Wizard" in a large, bold, sans-serif font with four stars above it, and "Screens & Shades" in a smaller font below it.